

40L5200U

LED HDTV

TOSHIBA
Leading Innovation >>>

**GET A PREMIER
PICTURE AT A
MATINEE PRICE**



Ultrathin LED with New Aero™ Design

Edge LED provides superior picture quality, modern thin bezel design and ultrathin depth. The new Aero™ design adds the stylish silver Aero™ wing to create a TV that looks great in any home décor.

ClearFrame™ 120Hz for Clear, Fast Motion

Doubles the normal frame rate to help eliminate motion blur for clearer fast-action sports, action movies and more.

1080p Full HD for True Home Theater Quality

Full HD² provides more pixel resolution than standard HD for incredible image clarity.

New Dynamic Picture Mode

Creates pictures that seem to pop off the screen! The new Dynamic Mode enhances color, sharpness, brightness and contrast to provide incredible picture quality.

New Audyssey® Audio Technology

Audyssey Premium Television is a suite of advanced audio technologies that helps produce clear, rich and natural sound. For the L5200 series the suite includes:

- Audyssey EQ®
- Audyssey ABX™ (Bass Extension)
- Audyssey Dynamic Volume®

And, New Ported Speaker Design

1080P FULL HD

Top HD picture quality with 1080p Full HD² resolution.

CF120Hz
ClearFrame™

Reduces blurring caused by high-speed video and improves picture clarity without impacting brightness or adding flicker.

DYNALIGHT 

Dynamic backlight control for deeper blacks and more detail.

AERO DESIGN™

A sleeker, cleaner look that really stands out.

HDMI® X3
HIGH-DEFINITION MULTIMEDIA INTERFACE

Easily connect to high-definition video and amazingly immersive surround sound in one cable.

USB MEDIA 

Easily connect to your favorite tunes and photos, create slideshows, or listen to your personal playlists with this feature.

40L5200U

SPECIFICATIONS¹

TOSHIBA
Leading Innovation >>>

Screen Size: 40"

- Diagonal Screen Size: 39.69"
- Design: Aero™ Cosmetic Design

Panel

- Panel Type: LED
- Resolution: 1080P Full HD²
- Refresh Rate: ClearFrame™ 120Hz
- Backlight Control: DynaLight®

Video Chassis

- Dynamic Picture Mode
- Native Mode™
- Game Mode

Convenience

- Standard Remote Control

Audio

- Audyssey Premium Television™
 - Audyssey EQ®
 - Audyssey ABX™
 - Audyssey Dynamic Volume®

- Ported Speakers
- Speaker Output: 14W

Connectivity

- HDMI® with CEC³: 3
- USB Media: 1
- High Definition PC Input: 1
- 3.5mm PC Audio Out: 1
- Digital Audio Out: 1
- ColorStream® Component Video: 1
- Composite: 1

Product and Packaging

- VESA Mounting Pattern⁴: 400mm x 400mm
- Limited Warranty: 1 Year Parts & Labor
- Power Consumption (On): 66W
- Power Consumption (Stand-by): 0.2W

Product Dimensions & Weights

- With Stand
 - Dimensions: 36.5"x24"x10.1"
 - Weight: 36.4 lbs.
- Without Stand
 - Dimensions: 36.5"x22.3"x1.8"
 - Weight: 30.6 lbs.
- In Packaging
 - Dimensions: 43.4"x25.7"x6.3"
 - Weight: 45.2 lbs.
- ENERGY STAR® 5.3 Compliant

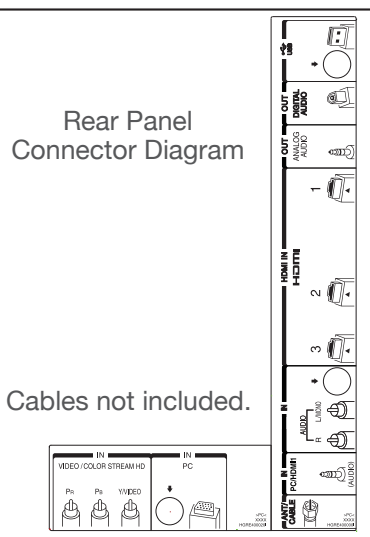
What's in the box

- Remote Control (CT-90325)
- Batteries (AA x 2)
- Resource Guide
- Quick Start Guide
- Warranty

UPC Code: 022265054604

Country of Origin: Mexico

Remote Control
(CT-90325)



Related Products



Single DVD Player



Wi-Fi® Ready Blu-ray Disc™ Player



Wi-Fi® Built-in Blu-ray Disc™ Player

1. While every effort has been made at the time of publication to ensure the accuracy of the information provided herein, product specifications, configurations, system/component/options availability are subject to change without notice. 2. 1080p/24 fps encoded content and an HD display capable of accepting a 1080p/24Hz signal required for viewing 1080p/24 fps content. 3. Use of HDMI® w/ CEC requires an HDMI® w/ CEC compatible display/peripheral device. Depending on the specifications of your device, some or all HDMI® w/ CEC functions may not work even if your display/peripheral device is HDMI® w/ CEC compatible. 4. If you decide to wall mount your Toshiba television, always use a UL Listed wall bracket appropriate for the size and weight of the television. Care should be taken to place or install the display where it cannot be pushed, pulled over, or knocked down.

© 2012 Toshiba America Information Systems, Inc. Aero, ClearFrame, ColorStream, DynaLight and Native Mode are registered trademarks or trademarks of Toshiba America Information Systems, Inc. and/or Toshiba Corporation. All other trademarks are the property of their respective owners. All rights reserved.