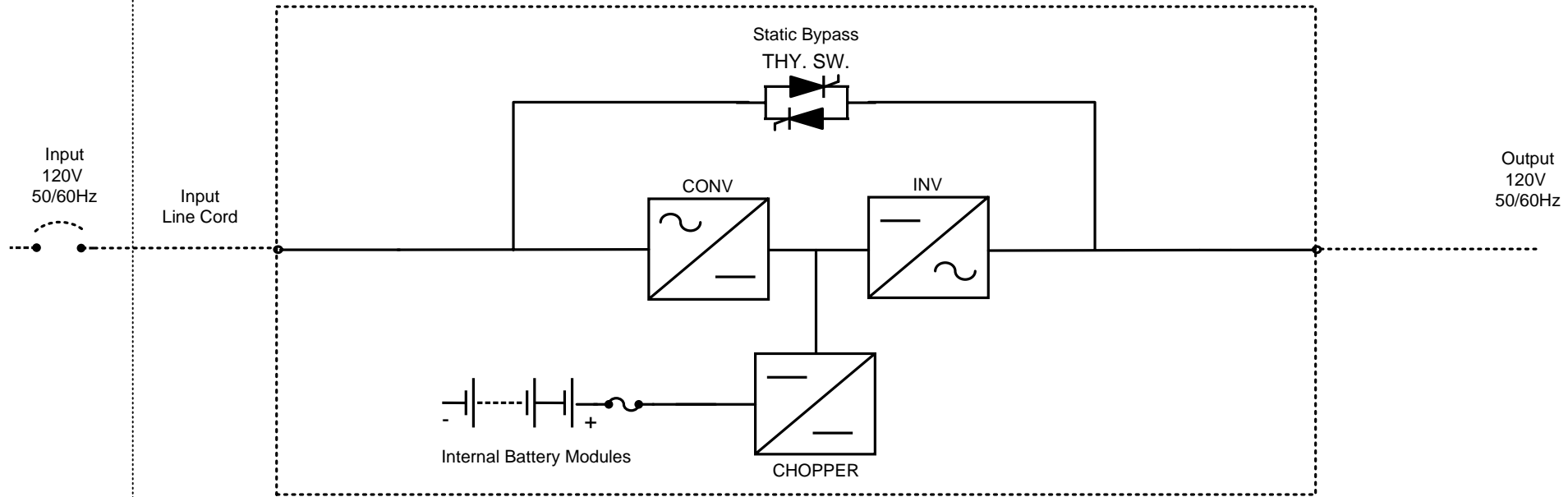


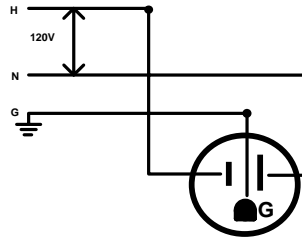
# UPS Cabinet



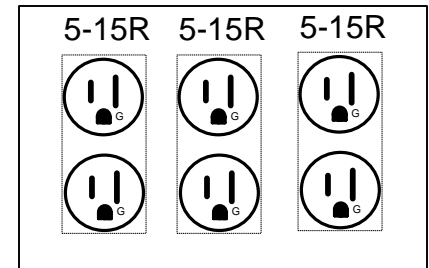
Input Cord  
Line Cord 5-15P (6ft)



Wiring Diagram



Output Receptacle Panel



**NOTES**

1) This drawing is for illustration purposes only and is subject to change without notice. TIC is not responsible for any errors or omissions.

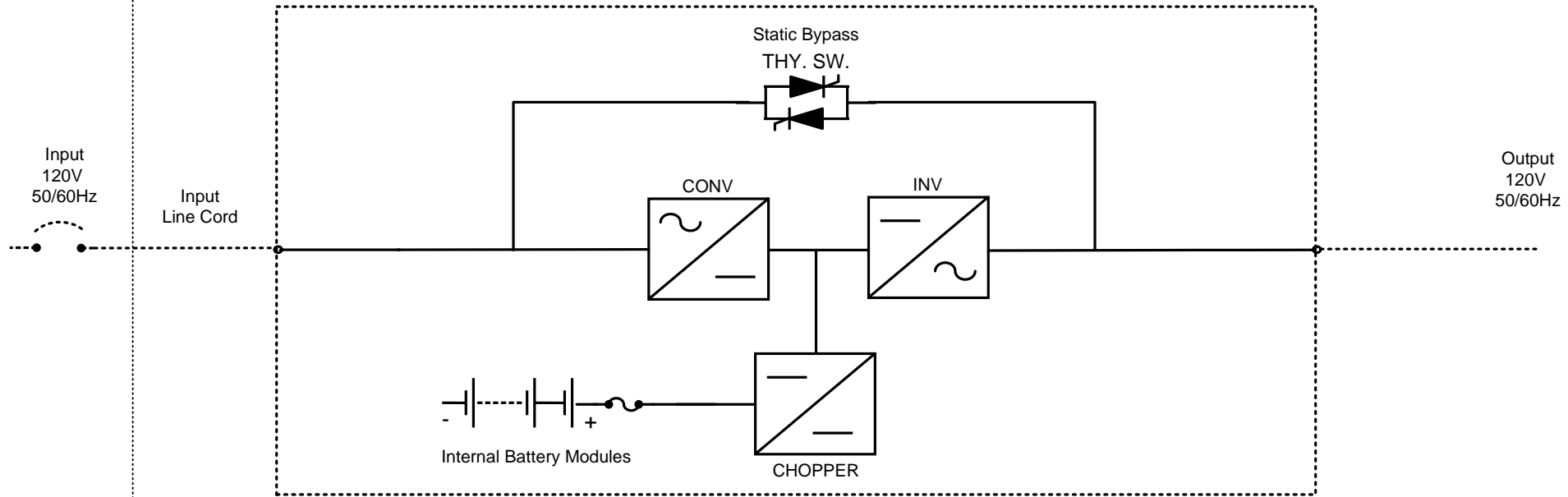
Drawn by  
JE  
DATE 11/28/05  
Approved by  
GM  
DATE 11/28/05

**TOSHIBA**  
**INTERNATIONAL CORPORATION**  
Houston Texas, USA  
THIS MATERIAL IS THE EXCLUSIVE PROPERTY OF TOSHIBA INTERNATIONAL CORPORATION AND SHALL NOT BE REPRODUCED, USED, OR DISCLOSED TO OTHERS UNLESS PRIOR WRITTEN AUTHORIZATION IS OBTAINED.

TITLE  
**1000 Series**  
**1 kVA Model 120V Input**  
**120V Output**

DRAWING NO. **UT1A1A010C6** REV. **1.0**

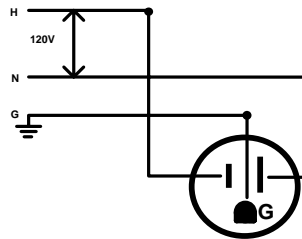
# UPS Cabinet



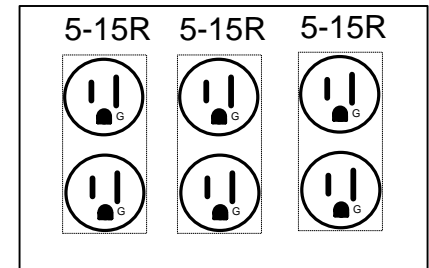
Input Cord  
Line Cord 5-15P (6ft)



Wiring Diagram



Output Receptacle Panel



**NOTES**

1) This drawing is for illustration purposes only and is subject to change without notice. TIC is not responsible for any errors or omissions.

Drawn by  
JE  
DATE 11/28/05

Approved by  
GM  
DATE 11/28/05

**TOSHIBA**

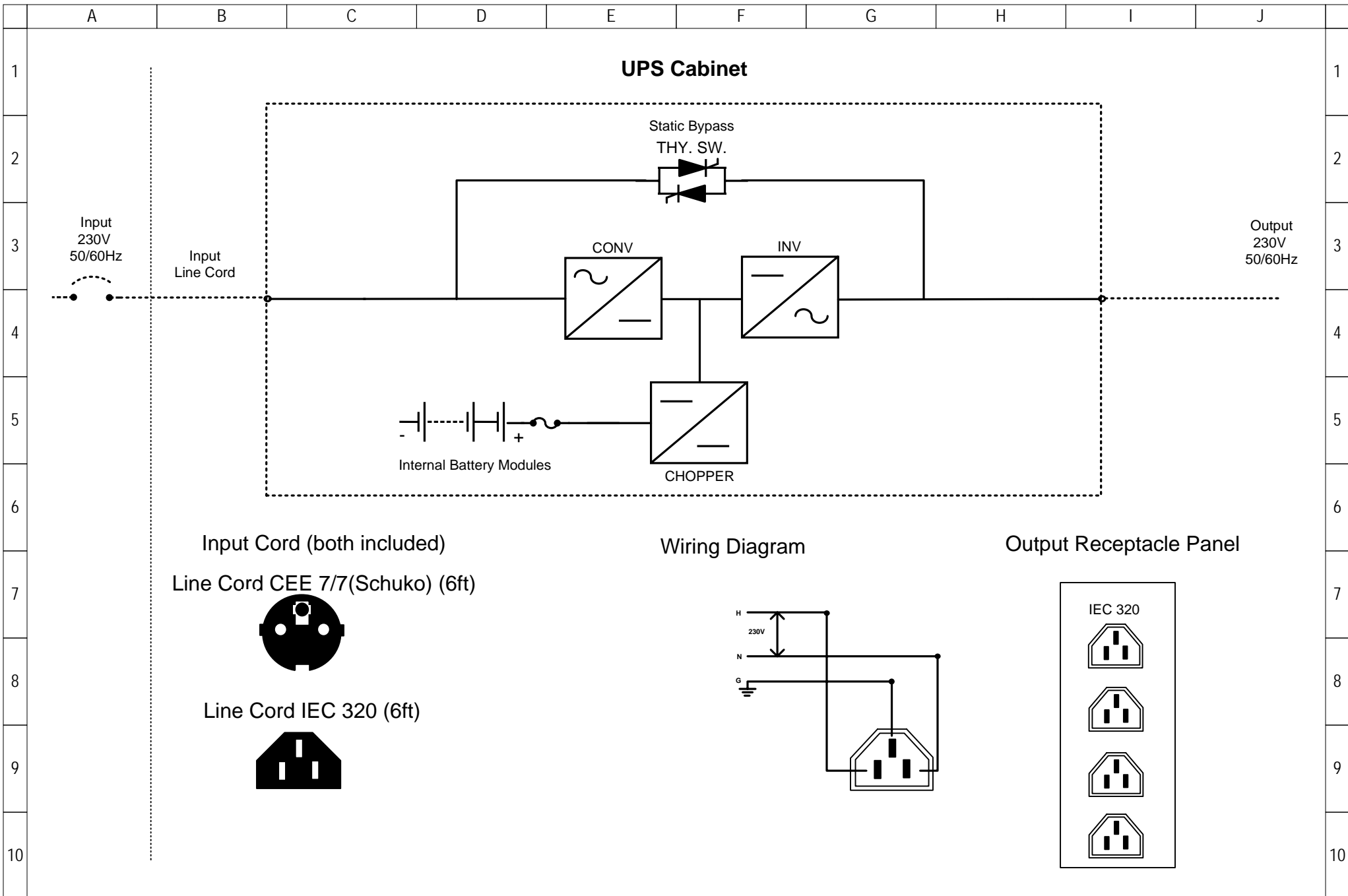
**INTERNATIONAL CORPORATION**  
Houston Texas, USA

THIS MATERIAL IS THE EXCLUSIVE PROPERTY OF TOSHIBA INTERNATIONAL CORPORATION AND SHALL NOT BE REPRODUCED, USED, OR DISCLOSED TO OTHERS UNLESS PRIOR WRITTEN AUTHORIZATION IS OBTAINED.

TITLE  
1000 Series Rackmount  
1 kVA Model 120V Input  
120V Output

DRAWING NO.  
UT1A1A010C6RKB2

REV.  
1.0



Input Cord (both included)

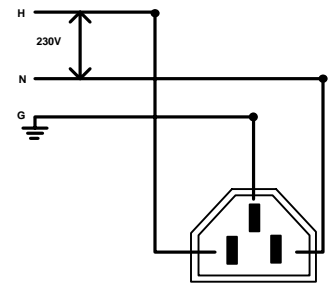
Line Cord CEE 7/7(Schuko) (6ft)



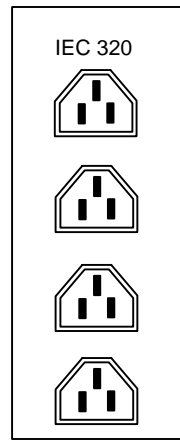
Line Cord IEC 320 (6ft)



Wiring Diagram



Output Receptacle Panel



**NOTES**

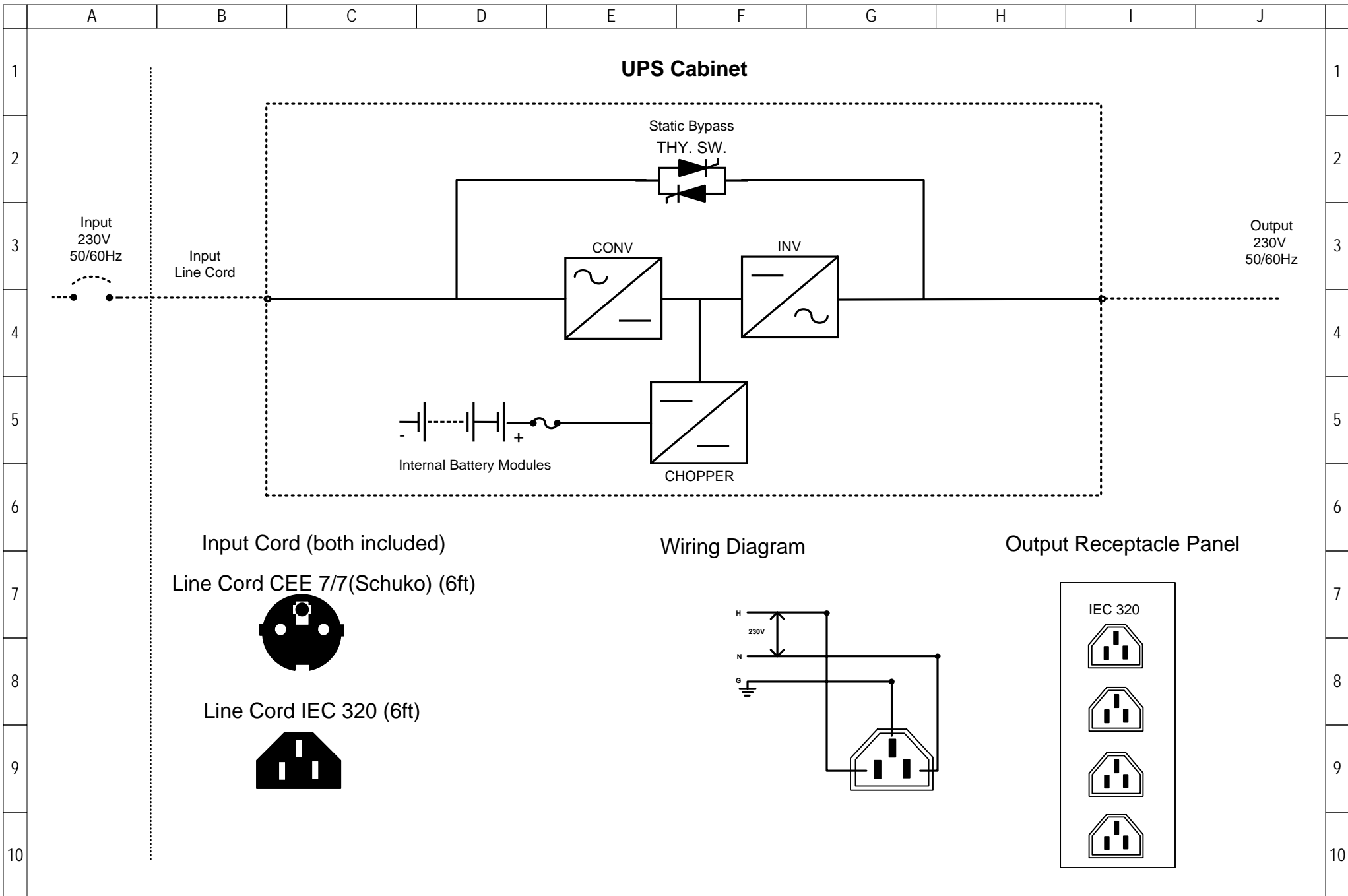
1) This drawing is for illustration purposes only and is subject to change without notice. TIC is not responsible for any errors or omissions.

Drawn by  
JE  
DATE 11/28/05  
Approved by  
GM  
DATE 11/28/05

**TOSHIBA**  
**INTERNATIONAL CORPORATION**  
**Houston Texas, USA**  
THIS MATERIAL IS THE EXCLUSIVE PROPERTY OF TOSHIBA INTERNATIONAL CORPORATION AND SHALL NOT BE REPRODUCED, USED, OR DISCLOSED TO OTHERS UNLESS PRIOR WRITTEN AUTHORIZATION IS OBTAINED.

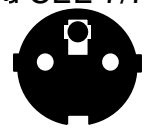
TITLE  
**1000 Series**  
**1.0 kVA Model 230V Input**  
**230V Output**

DRAWING NO. **UT1E1E010C6** REV. **1.0**



Input Cord (both included)

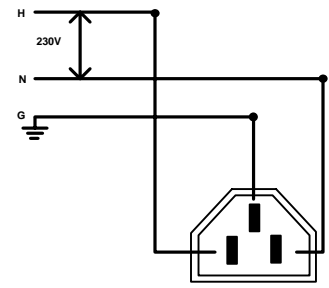
Line Cord CEE 7/7(Schuko) (6ft)



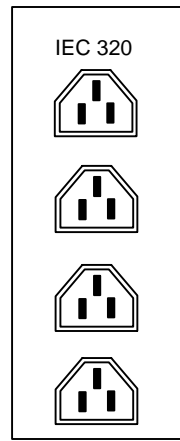
Line Cord IEC 320 (6ft)



Wiring Diagram



Output Receptacle Panel



**NOTES**

1) This drawing is for illustration purposes only and is subject to change without notice. TIC is not responsible for any errors or omissions.

Drawn by  
JE  
DATE 11/28/05  
Approved by  
GM  
DATE 11/28/05

**TOSHIBA**  
INTERNATIONAL CORPORATION  
Houston Texas, USA

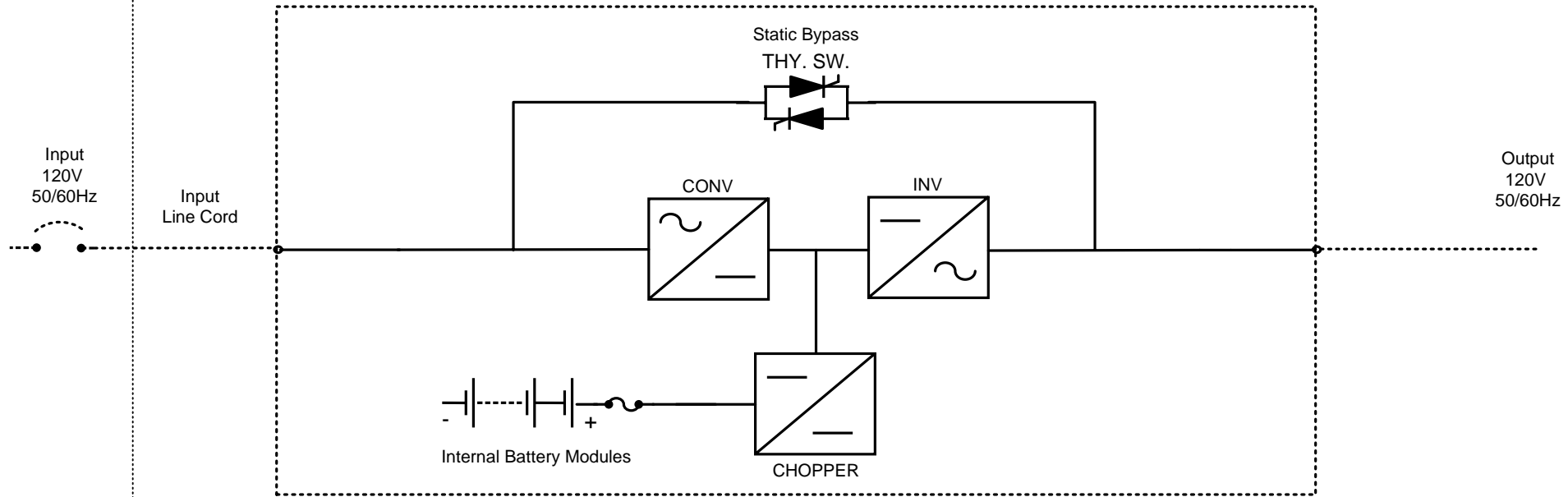
THIS MATERIAL IS THE EXCLUSIVE PROPERTY OF TOSHIBA INTERNATIONAL CORPORATION AND SHALL NOT BE REPRODUCED, USED, OR DISCLOSED TO OTHERS UNLESS PRIOR WRITTEN AUTHORIZATION IS OBTAINED.

TITLE  
1000 Series Rackmount  
1.0 kVA Model 230V Input  
230V Output

DRAWING NO.  
UT1E1E010C6RKB2

REV.  
1.0

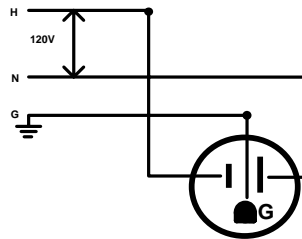
# UPS Cabinet



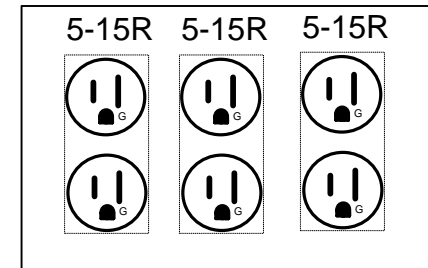
Input Cord  
Line Cord 5-15P (6ft)



Wiring Diagram



Output Receptacle Panel



## NOTES

1) This drawing is for illustration purposes only and is subject to change without notice. TIC is not responsible for any errors or omissions.

Drawn by  
JE  
DATE 11/28/05

Approved by  
GM  
DATE 11/28/05

# TOSHIBA

**INTERNATIONAL CORPORATION**  
Houston Texas, USA

THIS MATERIAL IS THE EXCLUSIVE PROPERTY OF TOSHIBA INTERNATIONAL CORPORATION AND SHALL NOT BE REPRODUCED, USED, OR DISCLOSED TO OTHERS UNLESS PRIOR WRITTEN AUTHORIZATION IS OBTAINED.

TITLE

1000 Series  
1.5 kVA Model 120V Input  
120V Output

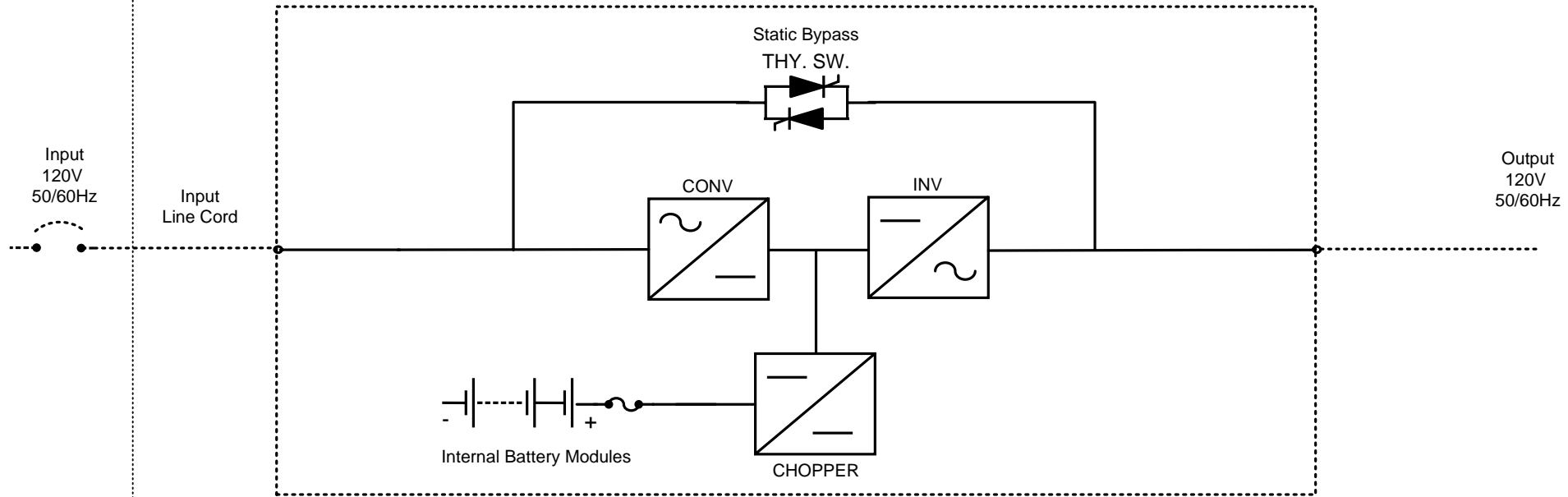
DRAWING NO.

UT1A1A015C6

REV.

1.0

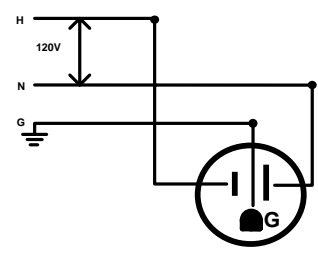
# UPS Cabinet



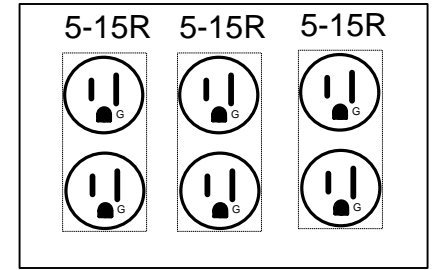
Input Cord  
Line Cord 5-15P (6ft)



Wiring Diagram



Output Receptacle Panel



**NOTES**

1) This drawing is for illustration purposes only and is subject to change without notice. TIC is not responsible for any errors or omissions.

Drawn by  
JE  
DATE 11/28/05  
Approved by  
GM  
DATE 11/28/05

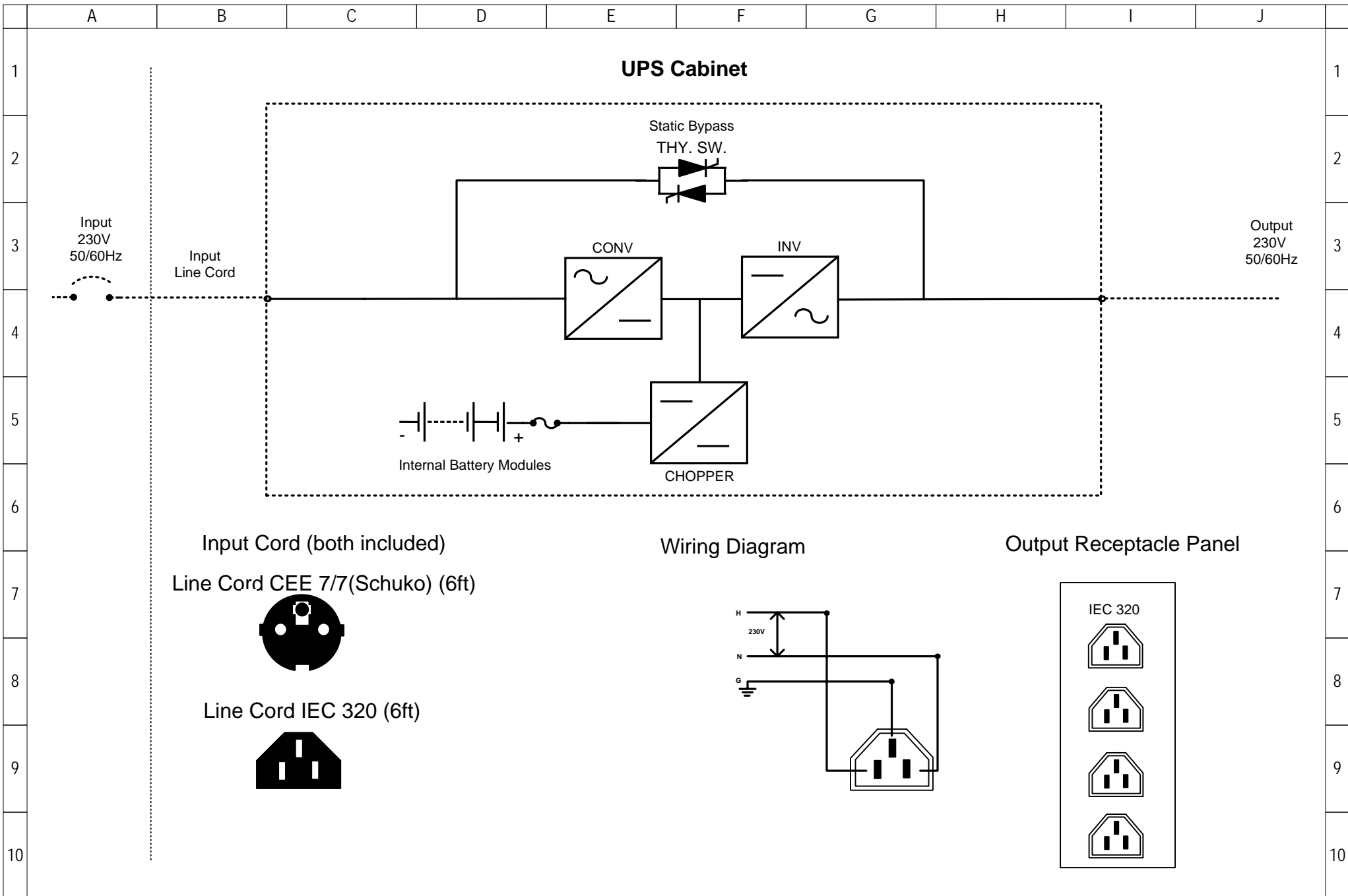
**TOSHIBA**  
**INTERNATIONAL CORPORATION**  
Houston Texas, USA

THIS MATERIAL IS THE EXCLUSIVE PROPERTY OF TOSHIBA INTERNATIONAL CORPORATION AND SHALL NOT BE REPRODUCED, USED, OR DISCLOSED TO OTHERS UNLESS PRIOR WRITTEN AUTHORIZATION IS OBTAINED.

TITLE  
1000 Series Rackmount  
1.5 kVA Model 120V Input  
120V Output

DRAWING NO.  
UT1A1A015C6RKB2

REV.  
1.0



Input Cord (both included)

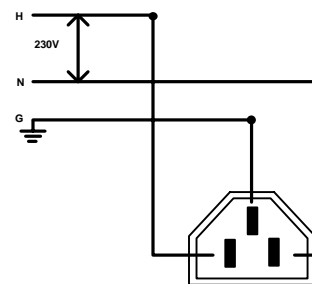
Line Cord CEE 7/7(Schuko) (6ft)



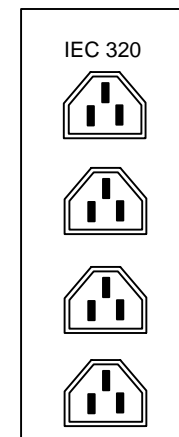
Line Cord IEC 320 (6ft)



Wiring Diagram



Output Receptacle Panel



**NOTES**

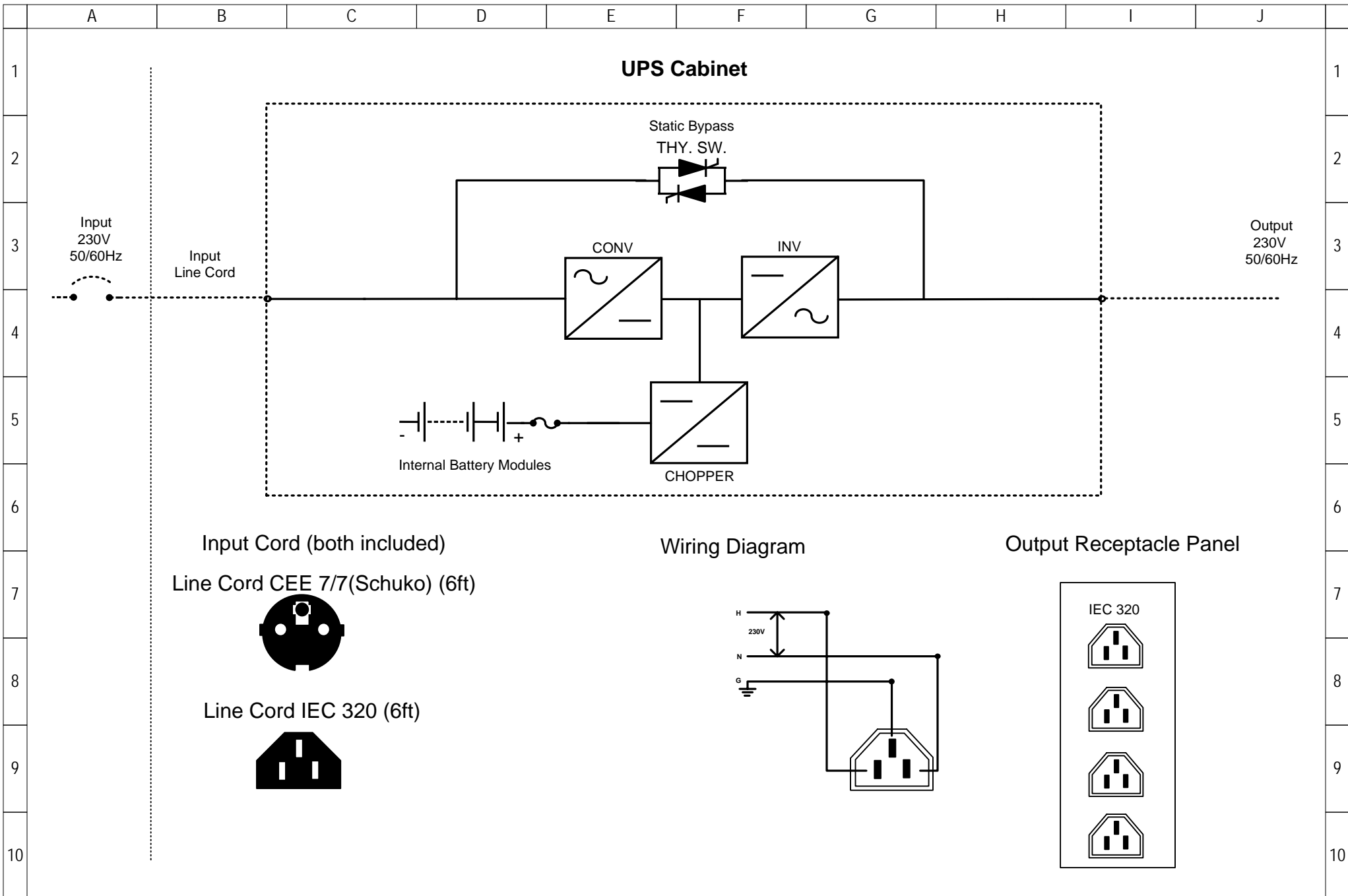
1) This drawing is for illustration purposes only and is subject to change without notice. TIC is not responsible for any errors or omissions.

Drawn by  
JE  
DATE 11/28/05  
Approved by  
GM  
DATE 11/28/05

**TOSHIBA**  
**INTERNATIONAL CORPORATION**  
**Houston Texas, USA**  
THIS MATERIAL IS THE EXCLUSIVE PROPERTY OF TOSHIBA INTERNATIONAL CORPORATION AND SHALL NOT BE REPRODUCED, USED, OR DISCLOSED TO OTHERS UNLESS PRIOR WRITTEN AUTHORIZATION IS OBTAINED.

TITLE  
**1000 Series**  
**1.5 kVA Model 230V Input**  
**230V Output**

DRAWING NO. **UT1E1E015C6** REV. **1.0**



Input Cord (both included)

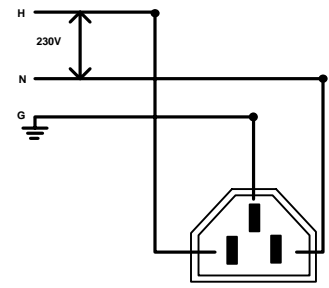
Line Cord CEE 7/7(Schuko) (6ft)



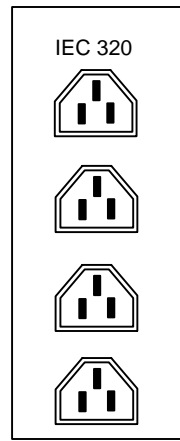
Line Cord IEC 320 (6ft)



Wiring Diagram



Output Receptacle Panel



**NOTES**

1) This drawing is for illustration purposes only and is subject to change without notice. TIC is not responsible for any errors or omissions.

Drawn by  
JE  
DATE 11/28/05  
Approved by  
GM  
DATE 11/28/05

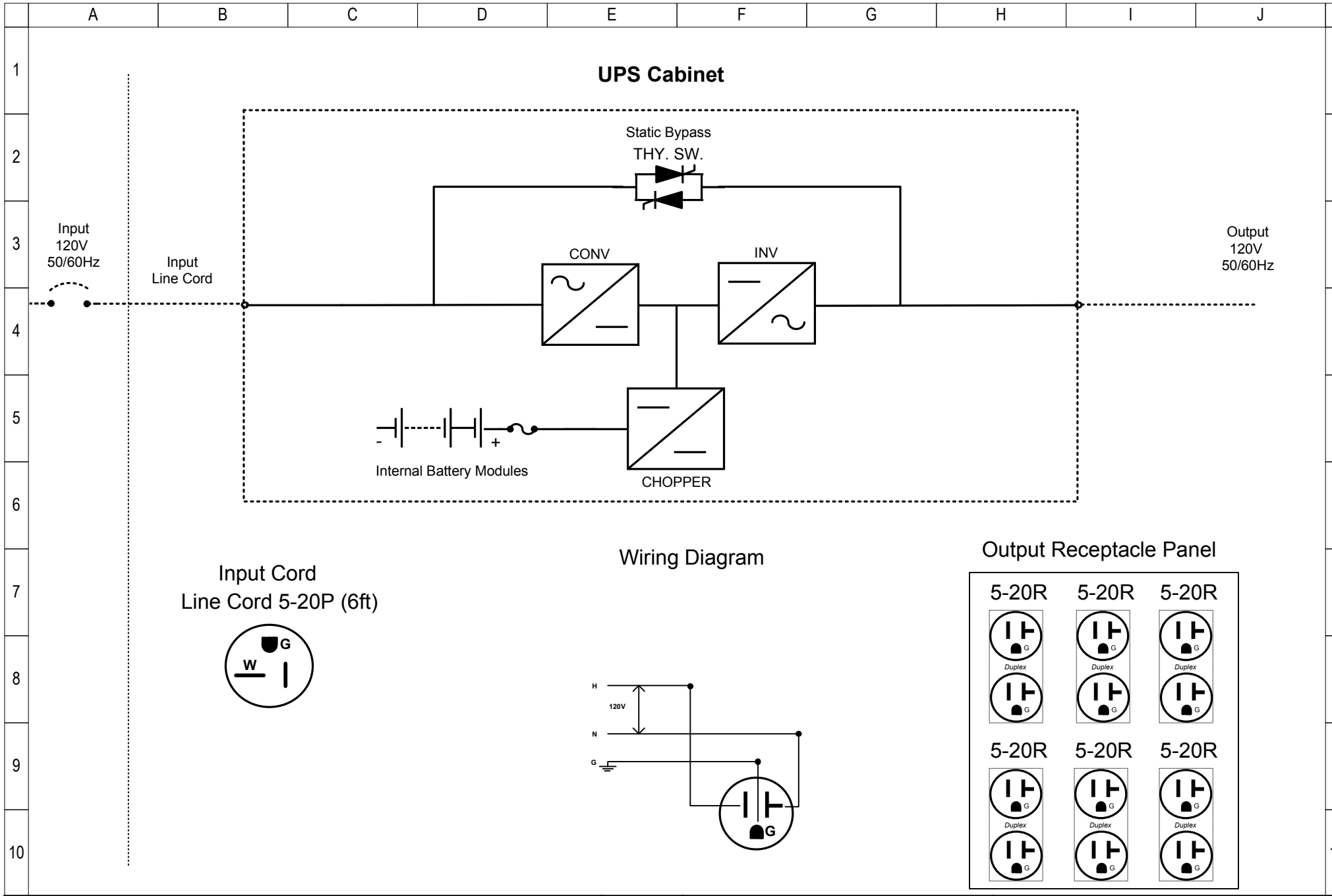
**TOSHIBA**  
INTERNATIONAL CORPORATION  
Houston Texas, USA

THIS MATERIAL IS THE EXCLUSIVE PROPERTY OF TOSHIBA INTERNATIONAL CORPORATION AND SHALL NOT BE REPRODUCED, USED, OR DISCLOSED TO OTHERS UNLESS PRIOR WRITTEN AUTHORIZATION IS OBTAINED.

TITLE  
1000 Series Rackmount  
1.5 kVA Model 230V Input  
230V Output

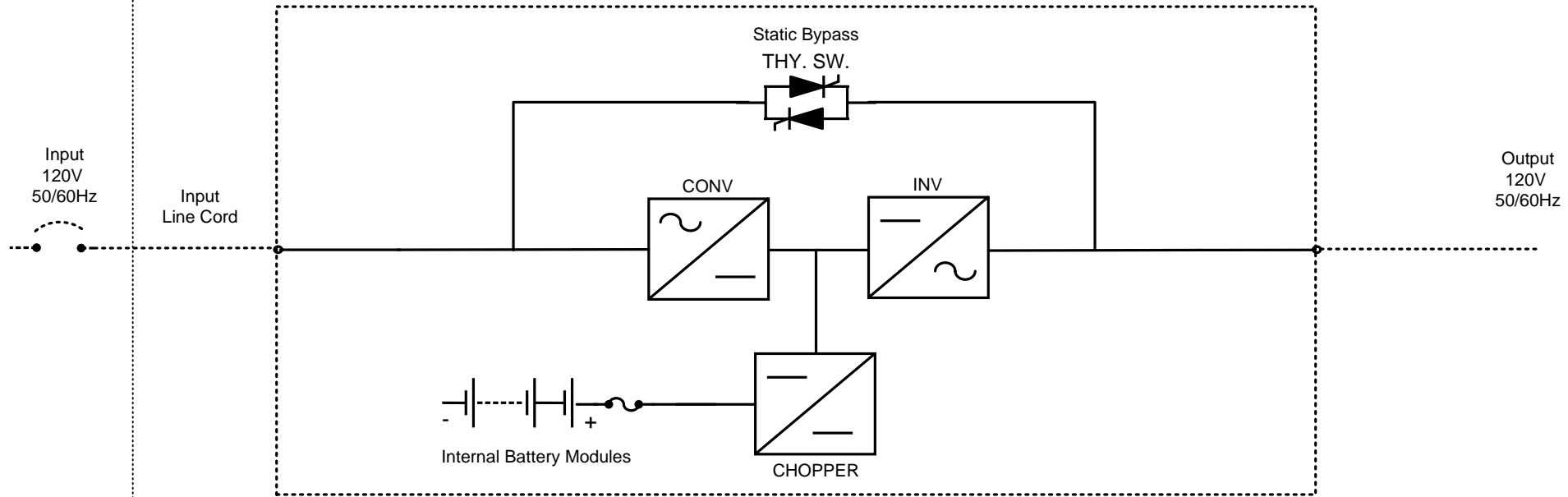
DRAWING NO.  
UT1E1E015C6RKB2

REV.  
1.0



|  |  |   |  |
|--|--|---|--|
| <p><b>NOTES</b></p> <p>1 This drawing is for illustration purposes only and is subject to change without notice. TIC is not responsible for any errors or omissions.</p> | <p>Drawn by<br/>JE<br/>DATE 11/28/05</p> <p>Approved by<br/>GM<br/>DATE 11/28/05</p> | <p><b>TOSHIBA</b><br/>INTERNATIONAL CORPORATION<br/>Houston Texas, USA</p> <p><small>THIS MATERIAL IS THE EXCLUSIVE PROPERTY OF TOSHIBA INTERNATIONAL CORPORATION AND SHALL NOT BE REPRODUCED, USED, OR DISCLOSED TO OTHERS UNLESS PRIOR WRITTEN AUTHORIZATION IS OBTAINED.</small></p> | <p>TITLE<br/>1000 Series<br/>2.0 KVA Model 120V Input<br/>120V Output</p> <p>DRAWING NO.<br/>UT1A1A020C6</p> <p>REV.<br/>2.0</p> |
|--|--|---|--|

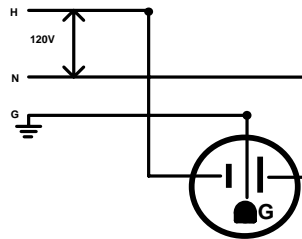
# UPS Cabinet



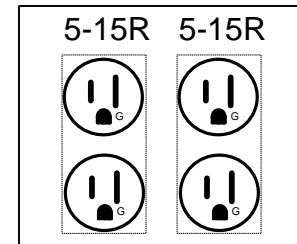
Input Cord  
Line Cord 5-20P (6ft)



Wiring Diagram



Output Receptacle Panel



**NOTES**

1) This drawing is for illustration purposes only and is subject to change without notice. TIC is not responsible for any errors or omissions.

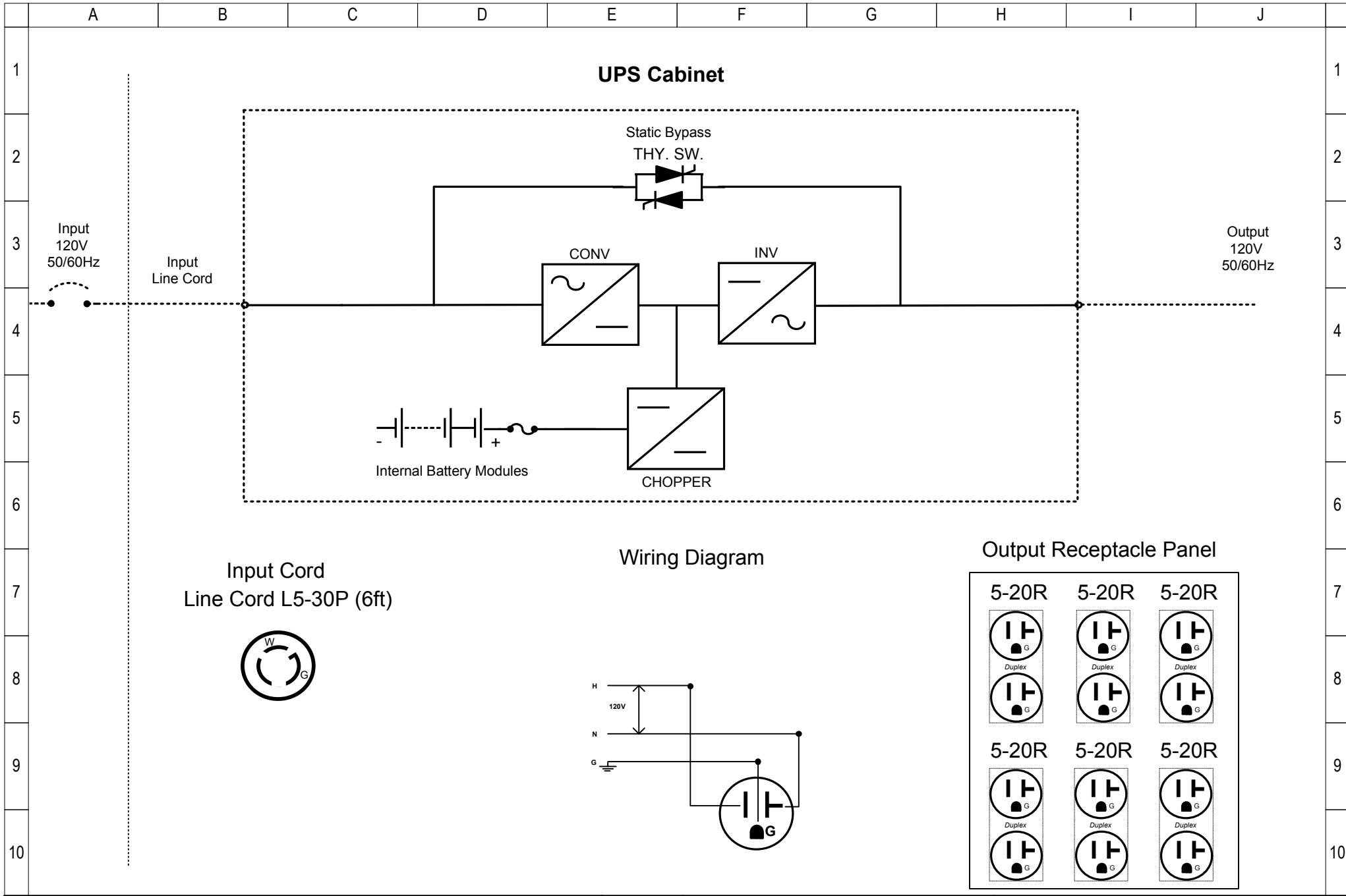
Drawn by  
JE  
DATE 01/08/07  
Approved by  
TT  
DATE 01/08/07

**TOSHIBA**  
**INTERNATIONAL CORPORATION**  
Houston Texas, USA

THIS MATERIAL IS THE EXCLUSIVE PROPERTY OF TOSHIBA INTERNATIONAL CORPORATION AND SHALL NOT BE REPRODUCED, USED, OR DISCLOSED TO OTHERS UNLESS PRIOR WRITTEN AUTHORIZATION IS OBTAINED.

TITLE  
1000 Series Rackmount  
2.0kVA Model 120V Input  
120V Output

DRAWING NO. **UT1A1A020C6RKB2** REV. **1.0**



**NOTES**

1 This drawing is for illustration purposes only and is subject to change without notice. TIC is not responsible for any errors or omissions.

Drawn by  
JE  
DATE 11/28/05  
Approved by  
GM  
DATE 11/28/05

**TOSHIBA**  
INTERNATIONAL CORPORATION  
Houston Texas, USA

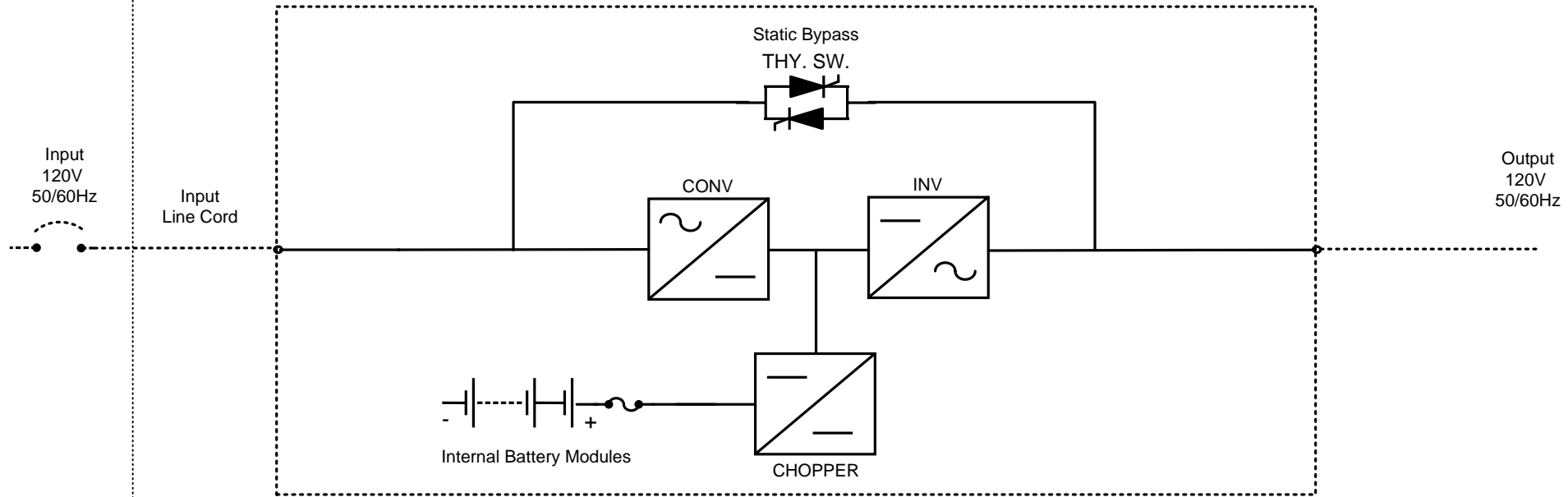
THIS MATERIAL IS THE EXCLUSIVE PROPERTY OF  
TOSHIBA INTERNATIONAL CORPORATION AND SHALL NOT  
BE REPRODUCED, USED, OR DISCLOSED TO OTHERS  
UNLESS PRIOR WRITTEN AUTHORIZATION IS OBTAINED.

TITLE 1000 Series  
3.0 KVA Model 120V Input  
120V Output

DRAWING NO. UT1A1A030C6

REV. 2.0

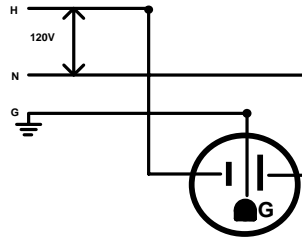
# UPS Cabinet



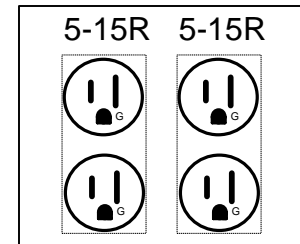
Input Cord  
Line Cord L5-30P (6ft)



Wiring Diagram



Output Receptacle Panel



**NOTES**

1) This drawing is for illustration purposes only and is subject to change without notice. TIC is not responsible for any errors or omissions.

Drawn by  
JE  
DATE 01/08/07  
Approved by  
TT  
DATE 01/08/07

**TOSHIBA**  
**INTERNATIONAL CORPORATION**  
**Houston Texas, USA**  
THIS MATERIAL IS THE EXCLUSIVE PROPERTY OF TOSHIBA INTERNATIONAL CORPORATION AND SHALL NOT BE REPRODUCED, USED, OR DISCLOSED TO OTHERS UNLESS PRIOR WRITTEN AUTHORIZATION IS OBTAINED.

TITLE  
1000 Series Rackmount  
3.0kVA Model 120V Input  
120V Output

DRAWING NO.  
UT1A1A030C6RKB2

REV.  
1.0