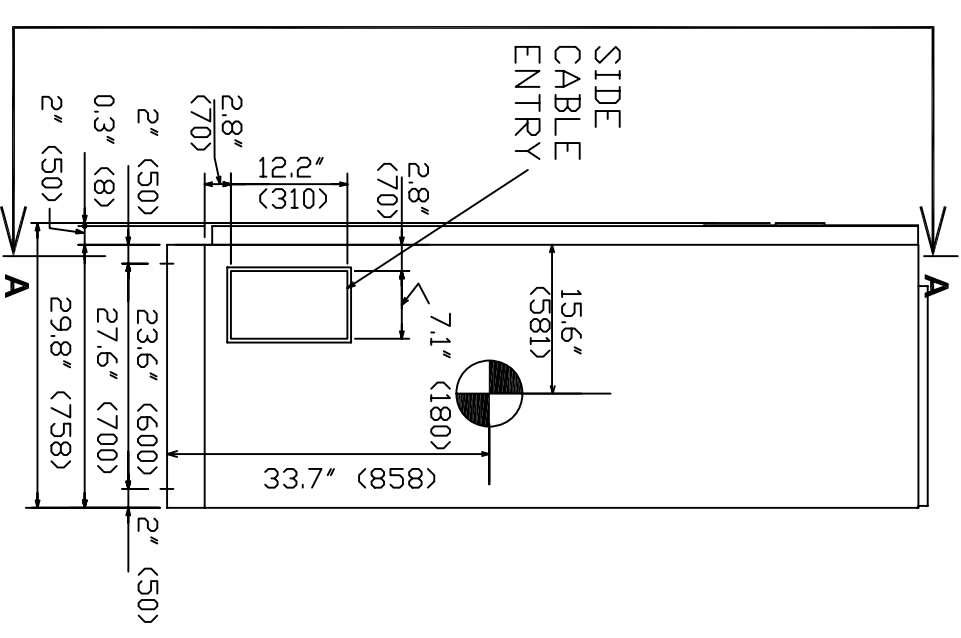
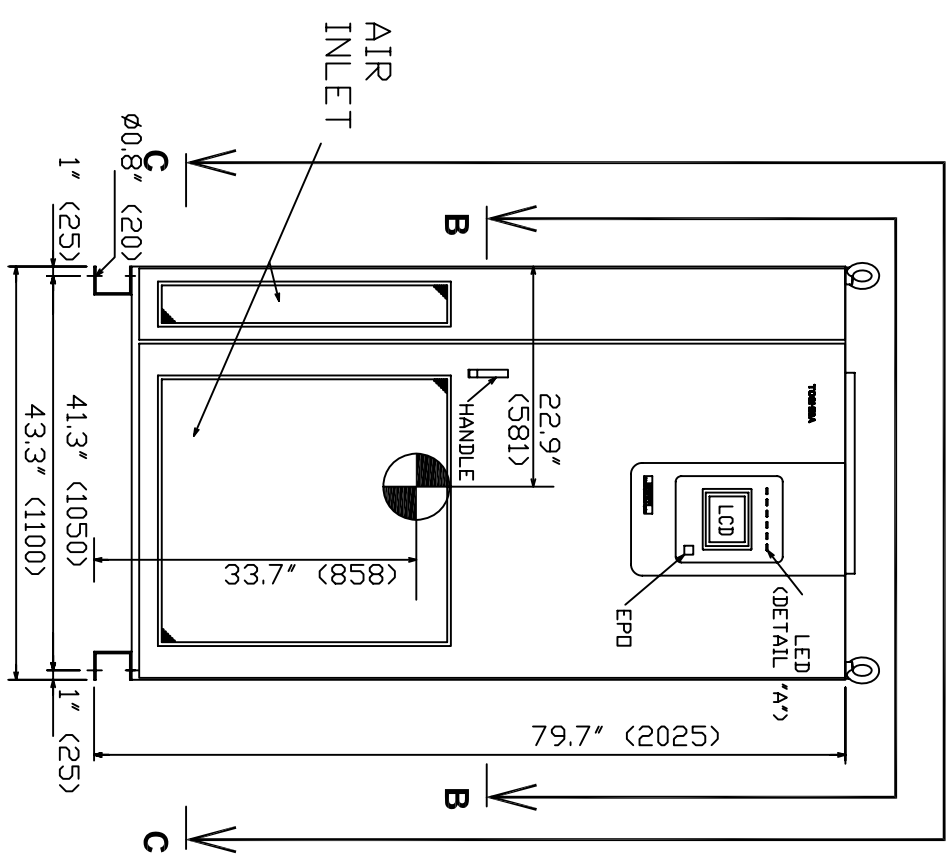
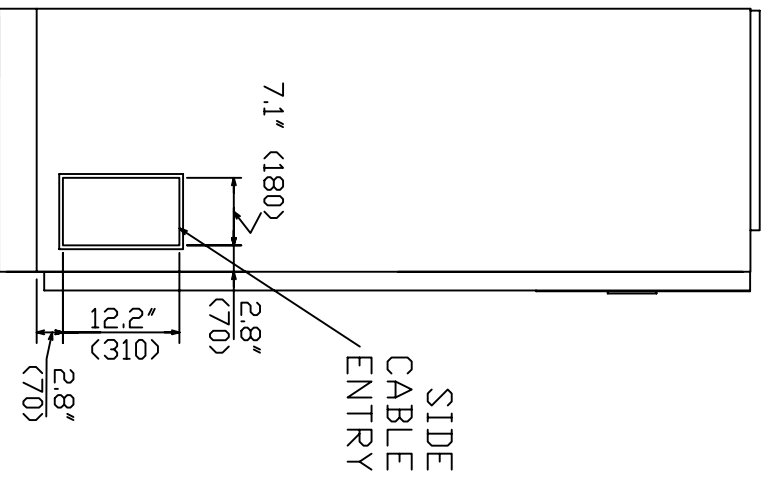
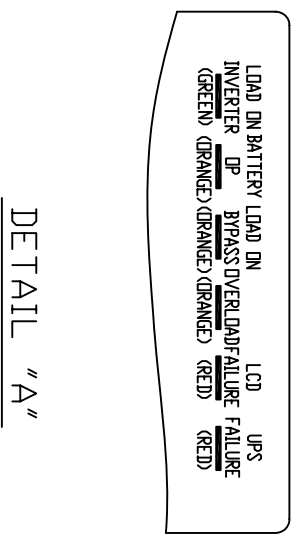
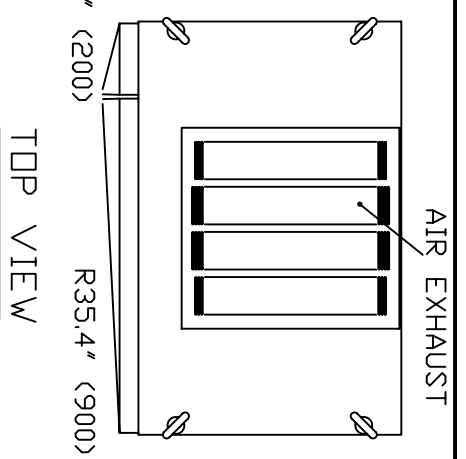


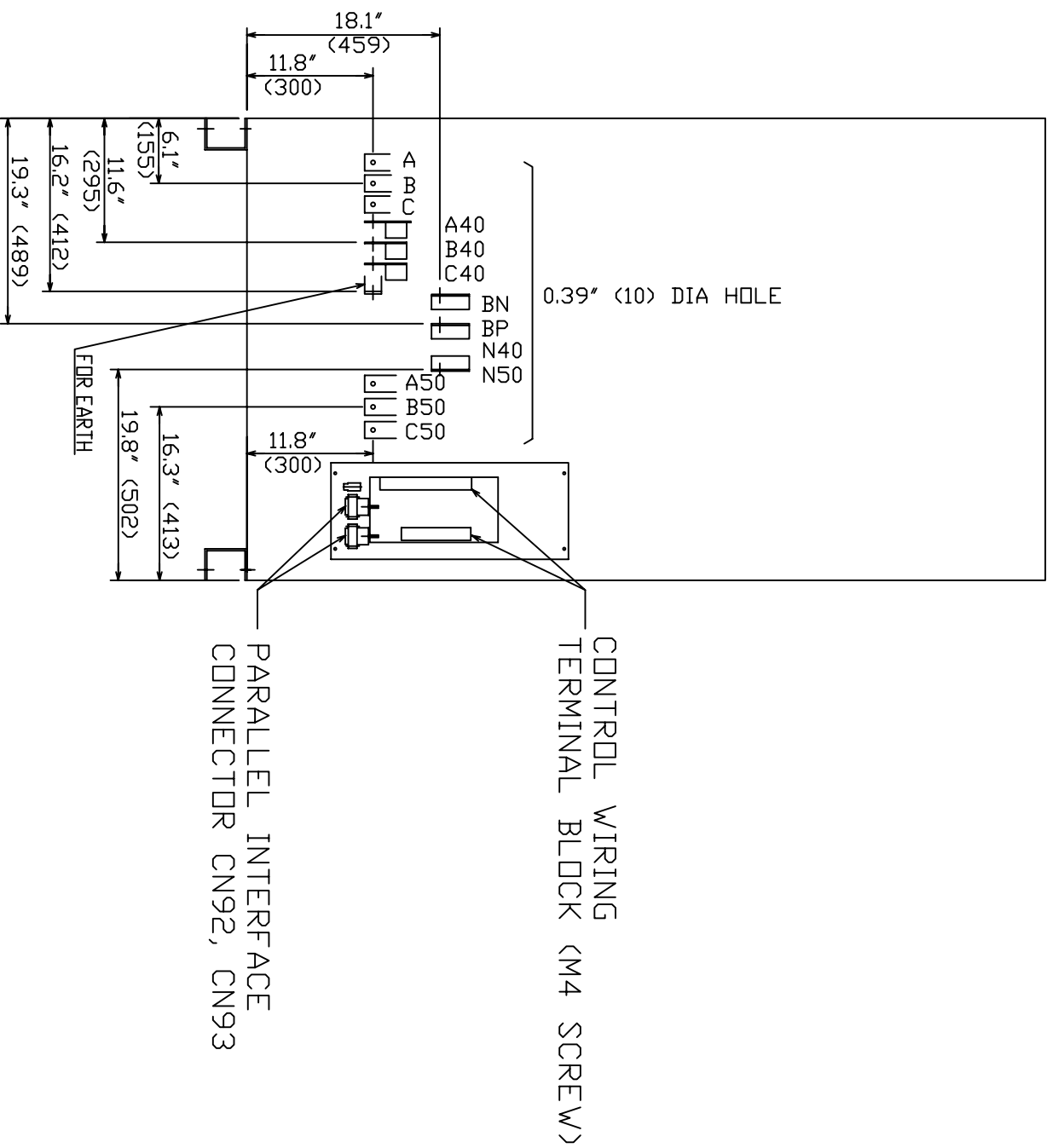
- NOTES
1. Cabinets must be maintained upright +/-10 degrees.
 2. Paint finish is color number 28Y7.7/D.3.
 3. Dimensions are inches (mm).



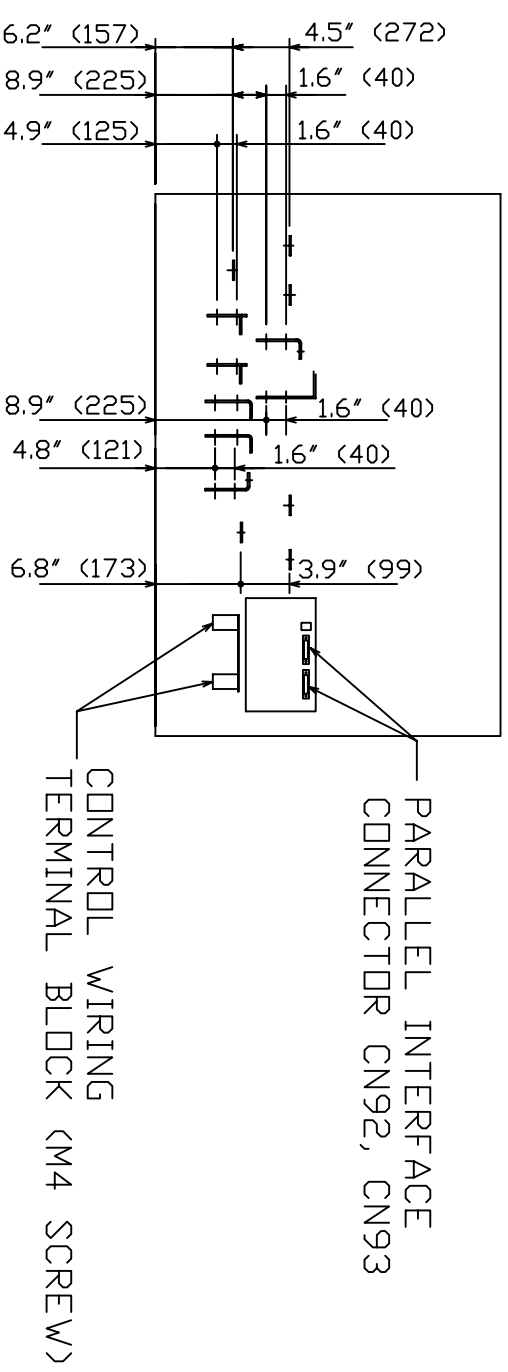
LEFT SIDE VIEW

RIGHT SIDE VIEW

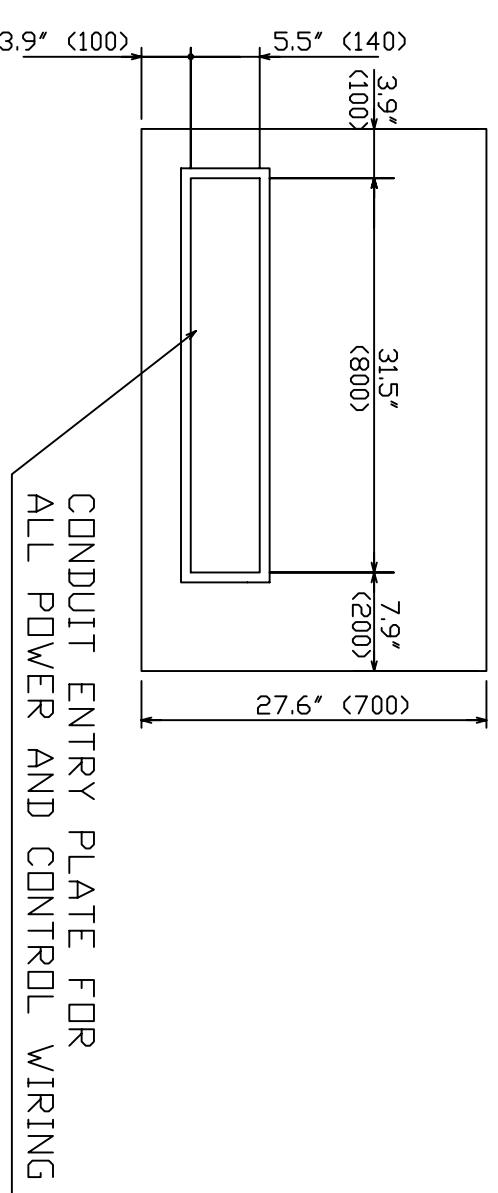
INIT	RELEASE	P0	JBT	JBT	DRAWN BY:	JBT	DATE	10/16/07	THIS MATERIAL IS THE EXCLUSIVE PROPERTY OF TOSHIBA INTERNATIONAL CORPORATION AND SHALL NOT BE REPRODUCED, USED OR DISCLOSED TO OTHERS UNLESS PRIOR WRITTEN AUTHORIZATION IS OBTAINED.	TITLE: G8000MM UPS 100KVA OUTLINE & INSTALLATION DRAWING	SCALE	ORDER NO.
				CHECKED BY		DATE		NTS			1044DL12-MKTG	
				APPROVED BY		DATE		DRAWING NO.			SH1	



SECTION A-A



SECTION B-B



SECTION C-C

INIT RELEASE P0	JBT	DRAWN BY: JBT	DATE: 1/14/08	THIS MATERIAL IS THE EXCLUSIVE PROPERTY OF TOSHIBA INTERNATIONAL CORPORATION AND SHALL NOT BE REPRODUCED, USED OR DISCLOSED TO OTHERS UNLESS PRIOR WRITTEN AUTHORIZATION IS OBTAINED.	TITLE: G8000 UPS 100KVA OUTLINE & INSTALLATION DIAGRAM	SCALE: NTS	ORDER NO.
		CHECKED BY:	DATE:				
		APPROVED BY:	DATE:				
TOSHIBA INTERNATIONAL CORPORATION				DRAWING NO: 10440L22-MKTG			
13131 WEST LITTLE YORK ROAD, HOUSTON, TX, 77041 U.S.A.				SH. 2 OF 2			