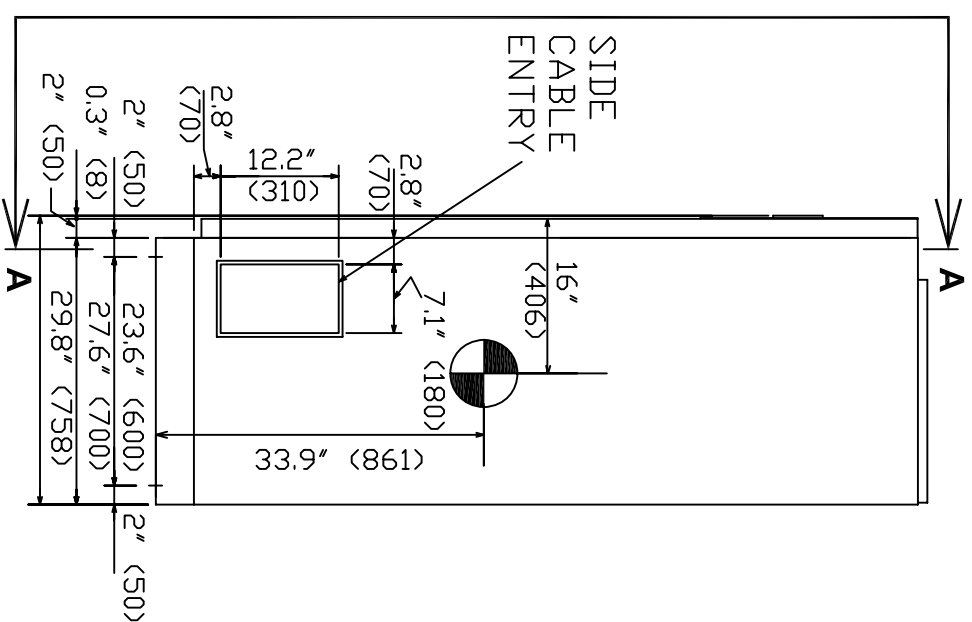
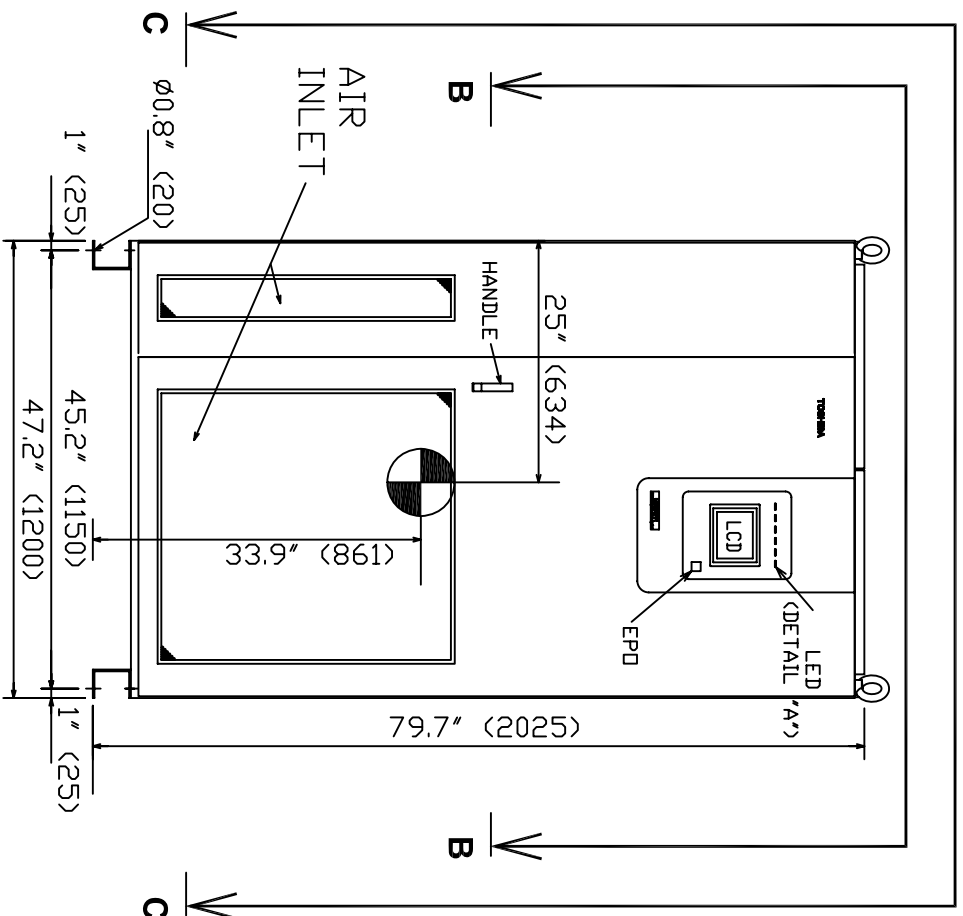
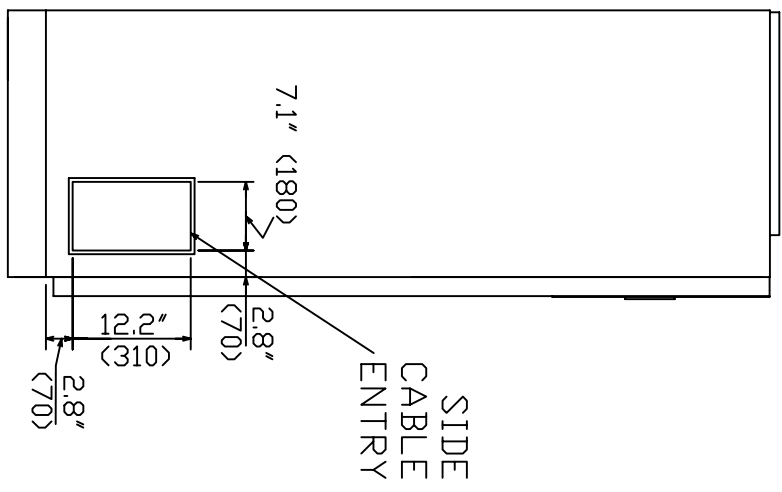
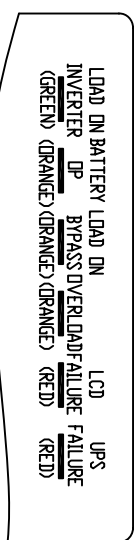


- NOTES
1. Cabinets must be maintained upright +/-10 degrees.
  2. Paint finish is color number 28Y7.7/D.3.
  3. Dimensions are inches (mm).



LEFT SIDE VIEW

RIGHT SIDE VIEW

INIT RELEASE	P0	DRAWN BY:	JBT	DATE:	8/28/07
		CHECKED BY:		DATE:	
		APPROVED BY:		DATE:	

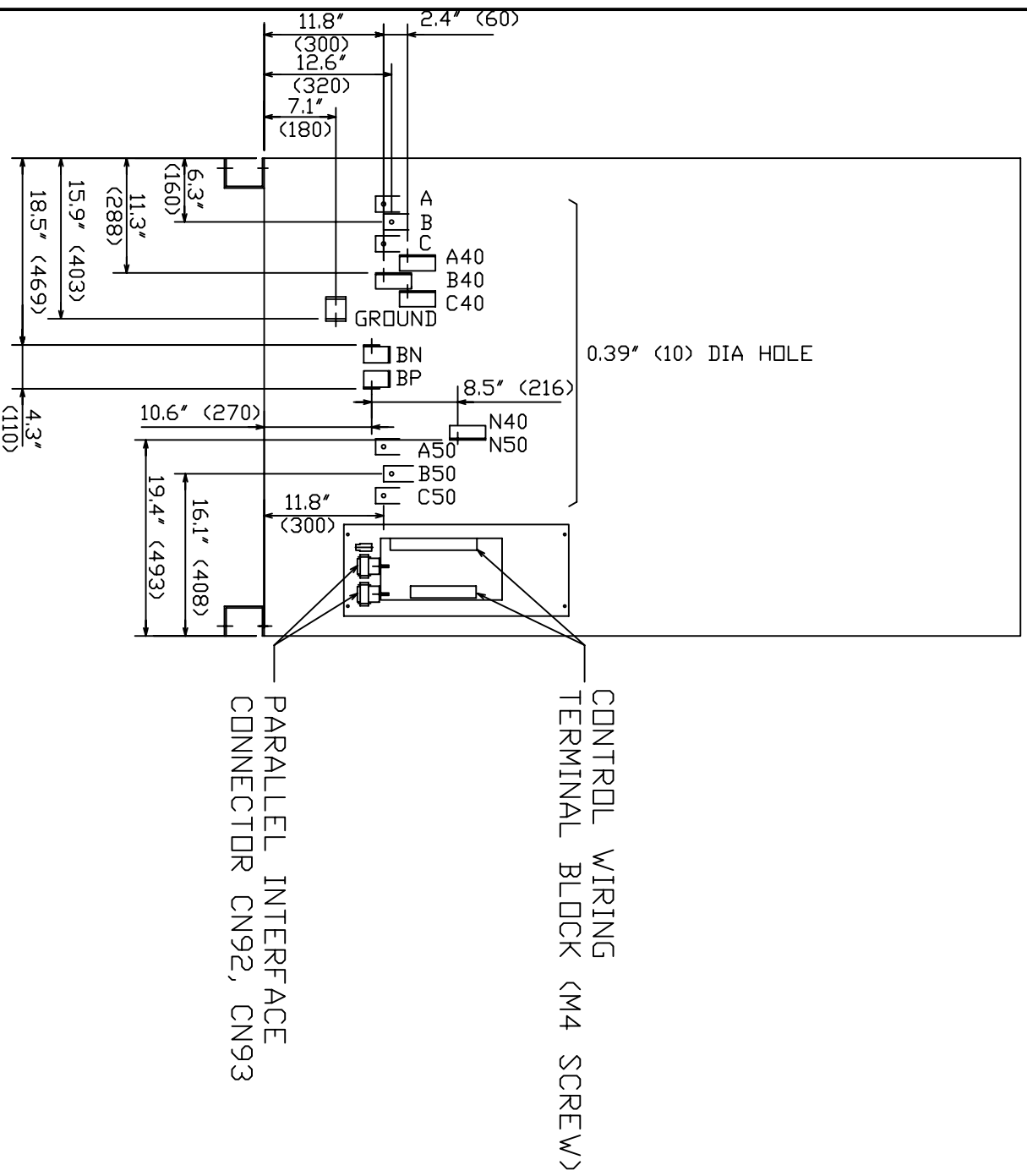
THIS MATERIAL IS THE EXCLUSIVE PROPERTY OF TOSHIBA INTERNATIONAL CORPORATION AND SHALL NOT BE REPRODUCED, USED OR DISCLOSED TO OTHERS UNLESS PRIOR WRITTEN AUTHORIZATION IS OBTAINED.

TITLE: 58000MM UPS 150KVA  
 OUTLINE & INSTALLATION DRAWING

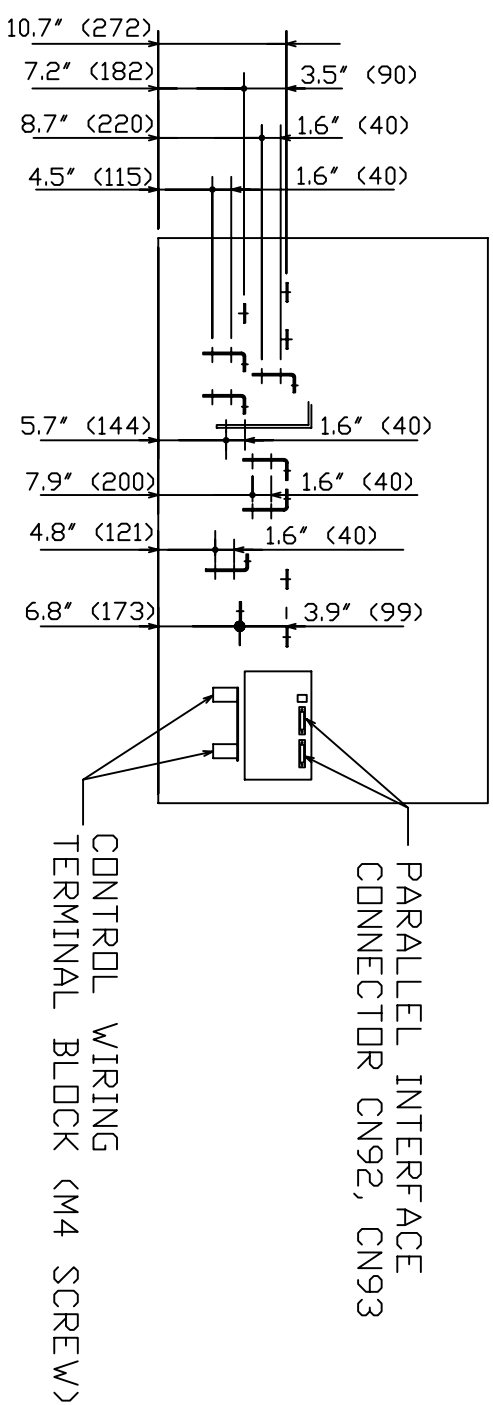
TOSHIBA INTERNATIONAL CORPORATION  
 13131 WEST LITTLE YORK ROAD, HOUSTON, TX, 77041 U.S.A.

SCALE: NTS  
 DRAWING NO. 15440L12-MKTG

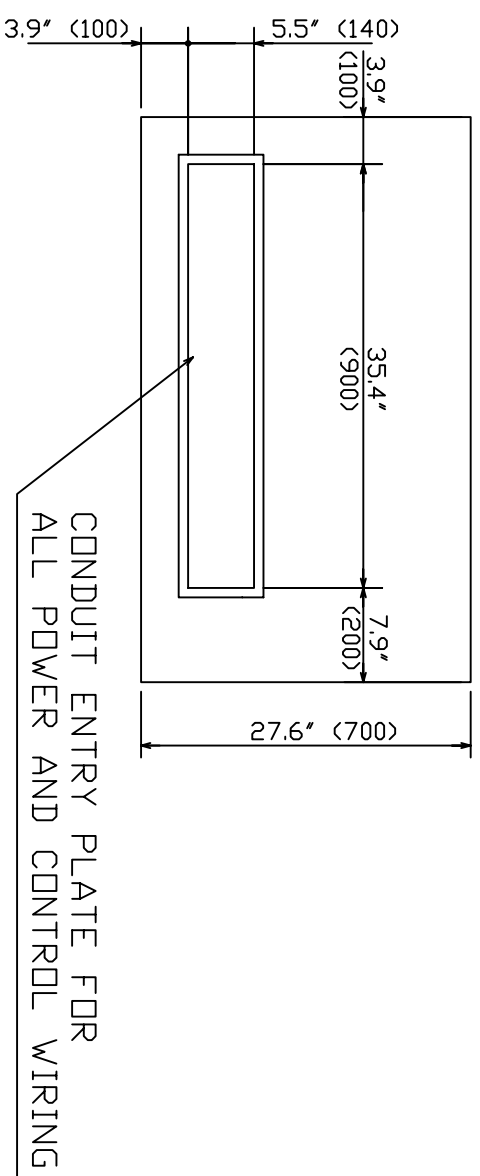
ORDER NO.



SECTION A-A



SECTION B-B



SECTION C-C

INIT RELEASE P0	JBT	DRAWN BY: JBT	DATE 10/10/07
		CHECKED BY	DATE
		APPROVED BY	DATE

THIS MATERIAL IS THE EXCLUSIVE PROPERTY OF TOSHIBA INTERNATIONAL CORPORATION AND SHALL NOT BE REPRODUCED, USED OR DISCLOSED TO OTHERS UNLESS PRIOR WRITTEN AUTHORIZATION IS OBTAINED.

TITLE: G8000MM 150KVA UPS  
OUTLINE AND INSTALLATION DRAWING

TOSHIBA INTERNATIONAL CORPORATION  
13131 WEST LITTLE YORK ROAD, HOUSTON, TX, 77041 U.S.A.

SCALE NTS	ORDER NO.
DRAWING NO. 15440L22-MKTG	
SH. 2	OF 2