

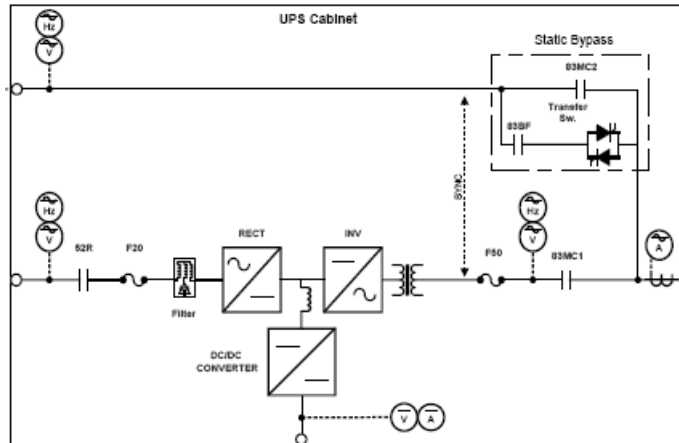
# TOSHIBA

Leading Innovation >>>

# G8000MM Series

Single/Parallel/Redundant  
Three Phase UPS

## 150 kVA



### Features at-a-glance

- |  |  |  |
|--|--|--|
| <ul style="list-style-type: none"> <li>• Single/Parallel in one box for modular design</li> <li>• Parallel Circuits in each UPS for reliability</li> <li>• True Online, Double-Conversion Technology</li> <li>• Dual Input Design (Alternate Input for bypass)</li> <li>• Static Bypass Switch             <ul style="list-style-type: none"> <li>- Thyristor + Contactor for highest reliability</li> </ul> </li> </ul> | <ul style="list-style-type: none"> <li>• LCD Touch screen Graphic Display</li> <li>• IGBT Inverter – Space Vector Modulation</li> <li>• Output Isolation Transformer</li> <li>• All Digital Signal Processor (DSP) software logic using 12 bit processor</li> <li>• Front Access for Installation and Maintenance.</li> <li>• Bottom or Side Access for Power Cables.</li> </ul> | <ul style="list-style-type: none"> <li>• Battery Temperature Compensation</li> <li>• Generator Compatible 1.1:1</li> <li>• Monitoring Options             <ul style="list-style-type: none"> <li>- RemotEye II (SNMP/Web)</li> <li>- Memory Card w/software</li> <li>- Dry Contacts</li> </ul> </li> </ul> |
|--|--|--|

### Input Specifications

Voltage range: 480V +15% -15%  
 (Optional Cabinet for 208V, 600V)  
 Frequency range: 60Hz, +/- 5%  
 Power factor: >0.98  
 Input current THD: less than 6% at 100% load  
 Surge protection: Meets ANSI C62.41

### Battery Specifications

Cabinets or Racks with DC Breaker  
 Battery type: Sealed Valve Regulated Lead-Acid  
 Recharge time: 10 x discharge time to 90% capacity  
 DC Link: 480VDC Nominal

### Environmental Specifications

Ambient temperature: 0C to +40C  
 Relative humidity: 5%-95% Non-Condensing  
 Altitude: 0 to 9000 feet without derating  
 Audible noise: Less than 72 dBA at 1 meter

### Output Specifications: 150 kVA/120 kW (0.8PF)

Voltage: 480Y/277V Standard  
 (Optional 600/347V)  
 Voltage regulation: +/- 1%  
 Freq. regulation: +/- 0.05% (Free running)  
 Dynamic response: +/-2% at 100% step load  
 (recovery in less than 1 cycle)  
 Voltage Distortion:  
 Less than 2% for 100% linear load  
 Less than 5% for 100% non-linear load  
 Freq. sync range: +/- 5% (user selectable)  
 Freq. slew rate: 1 – 10 Hz/second (user selectable)  
 Overload capacity: 1000% for 1 cycle  
 150% for 1 minute  
 125% for 10 minutes  
 Crest Factor: 2.3 : 1

### Safety

UL/CUL 1778 Listed  
 All cabinets provide for seismic zone 4 mounting

### Options

Input/Output Transformer Cabinet  
 Maintenance Bypass Cabinet  
 RemotEye II™ Network Adapter  
 “Security Plus” Maintenance Agreement

**G8000MM 150 kVA UPS Specifications**

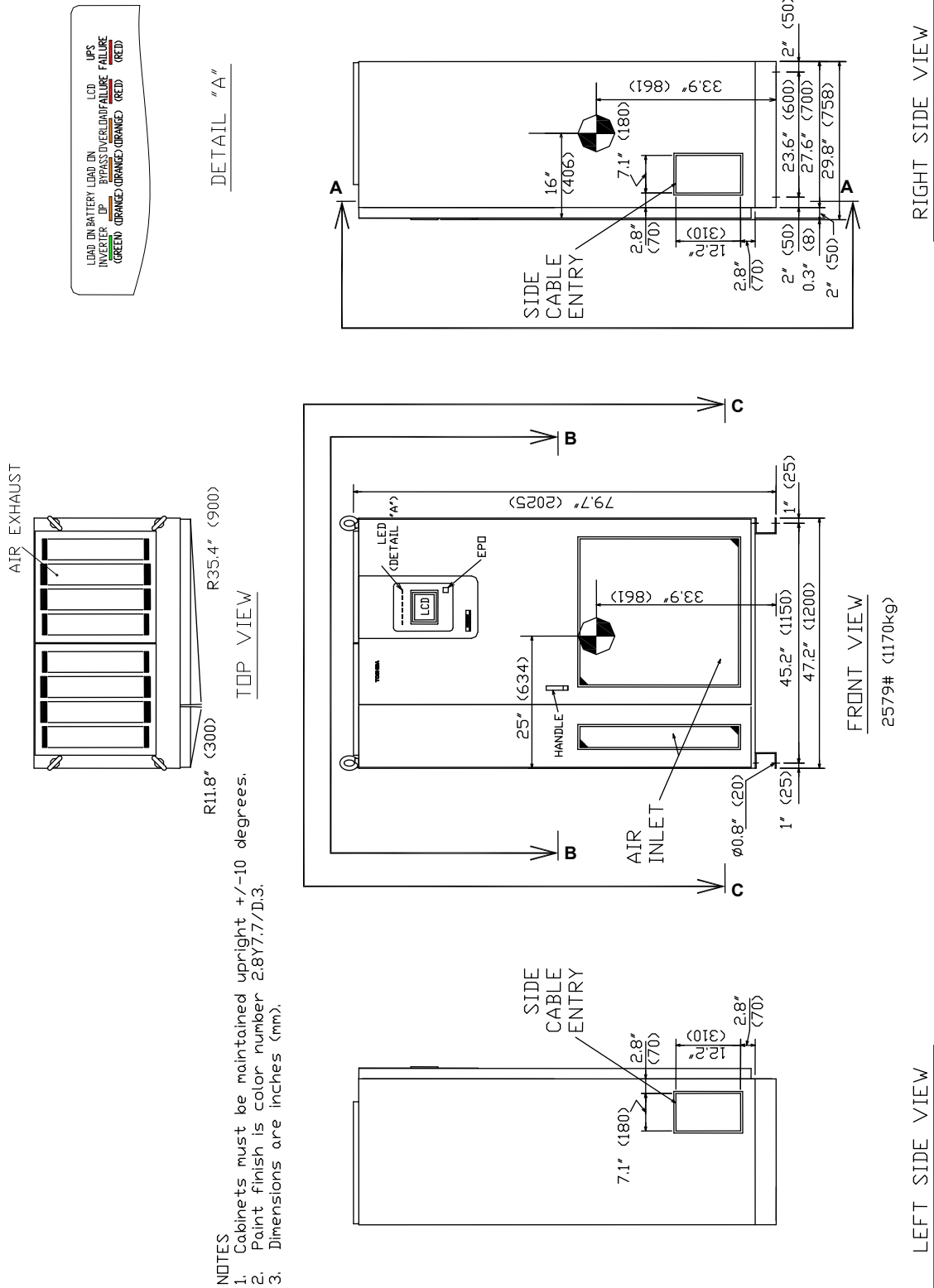
Item: T8MS3K15KK6XSN		150
		150kVA/120kW
Input Voltage	Volts	480
Output Voltage	Volts	480/277
Input Voltage Range		+15% to -15%
Minimum	Volts	408
Maximum	Volts	552
Frequency	Hz	60
AC Input Current		(> 0.98 PF)
Nominal Amps	Amps	158
Maximum Amps <sup>(1)</sup>	Amps	169
Bypass Input	Volts	480/277
Nominal Amps	Amps	180
AC Output Current		(at 0.8 PF)
Nominal Amps	Amps	180
10 Minutes Max.	Amps	225

Item: T8MS3K15KK6XSN		150
		150kVA/120kW
DC Link		
Nominal DC Voltage	Volts	480
Float Voltage	Volts	545
End of Discharge	Volts	400
Charger	Amps	19.5 (Max)
Efficiency		
Efficiency	%	93.5

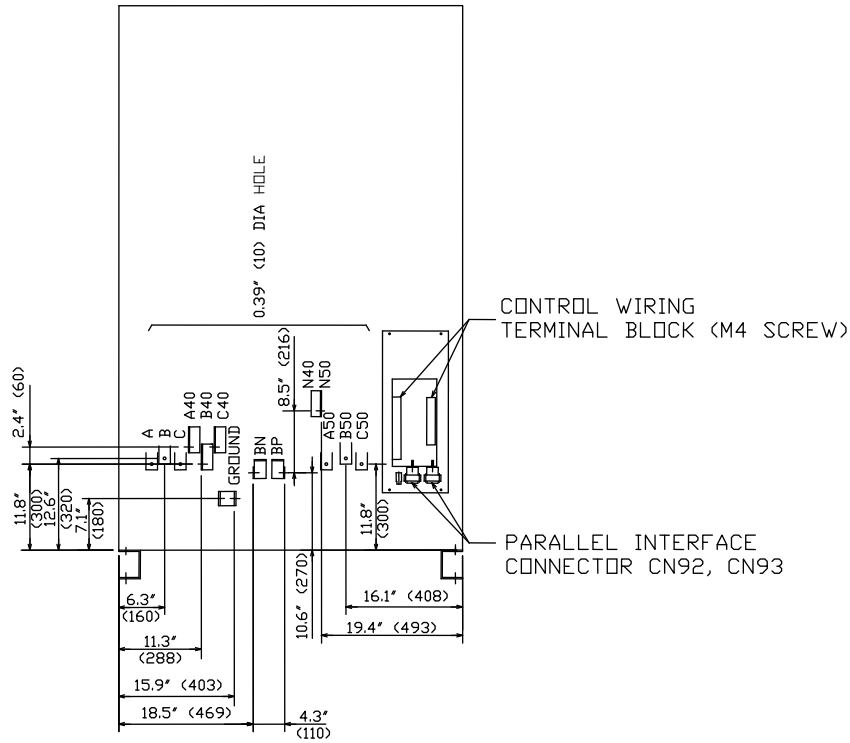
Full Load Heat Dissipation		
BTU/Hr.		28,465
kW		8.3

(1) Maximum Amps equals full load current plus battery recharge current.

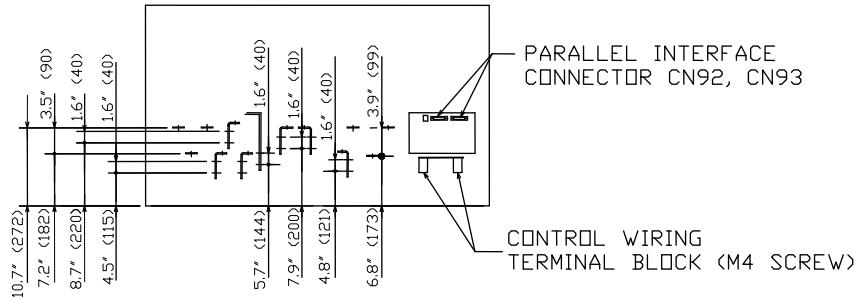
**G8000MM 150 kVA UPS Specifications**



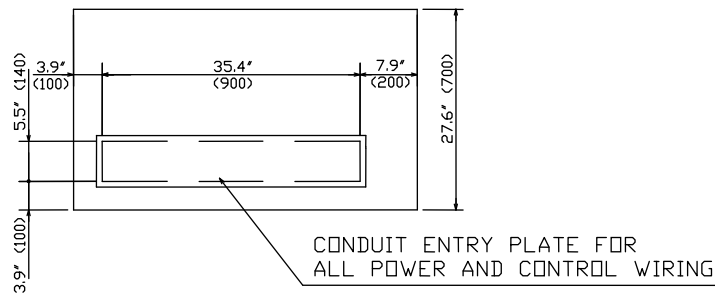
## G8000MM 150 kVA UPS Specifications



SECTION A-A



SECTION B-B



SECTION C-C