

TOSHIBA

UNINTERRUPTIBLE POWER SYSTEMS



CONSULTING-SPECIFYING
ENGINEER

Product
OF THE
Year 2005
WINNER

XT

1600EP Series

3 Year
Warranty

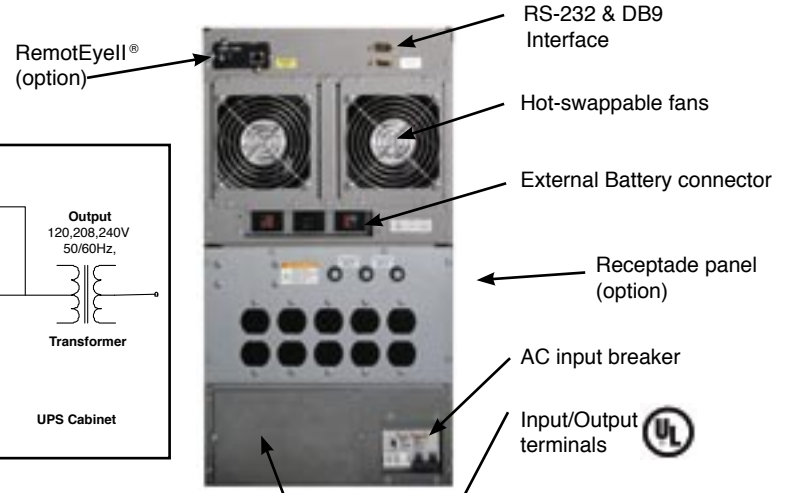
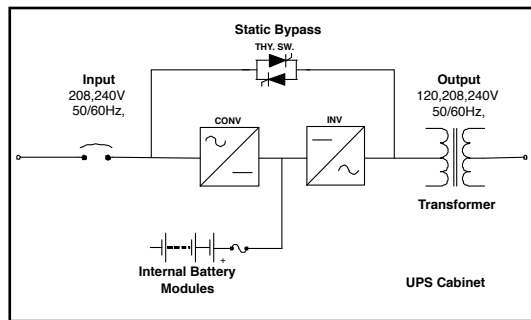
3.6-18 kVA Single Phase

- True On-Line, Double Conversion UPS
- Input Power Factor > 0.95
- Input Current THD < 5%
- Wide Input Voltage Window + 10% - 30%
- Wide Input Frequency Window 45-65 Hz
- 0.85 Output Power Factor – More Usable Watts per kVA
- Electronic Power Factor Correction for 100% Generator Compatibility
- Hot Swappable Battery Packs & Cooling Fans
- Internal Isolation Transformer
- Digital LCD Display
- Programmable Front Keypad
- External Battery Connector

Reliability in motion[®]

1600EP Series 3.6–18 kVA UPS

Capacity	3.6 kVA (3.06 kW)	6 kVA (5.1 kW)	8 kVA (6.8 kW)	10 kVA (8.5 kW)	14 kVA (11.9 kW)	18 kVA (15.3 kW)
Topology	True On-line; Double Conversion; IGBT Power Factor Corrected Input; Internal Isolation Transformer					
Certifications	UL 1778, CUL, CE, FCC Class A, IEEE 587, ANSI / C62.41, ISO 9001, ISO 14001, NEMA / PE1-1993					
Input Characteristics						
Input Voltage	Single-Phase 208/240 Vac (3 Wire Input / L-L,G); 230 Vac (3 Wire Input / L, N, G), +10% -30%					
Input Frequency	45 ñ 65 Hz (Auto-Sensing)					
Input Power Factor	> 0.95 For All Loads					
Input Current THD	< 5% (Even for 100% Non-Linear Loads)					
Battery Characteristics						
Battery Type	Valve Regulated Lead Acid; Flame Retardant (9.0 Amp Hr)					
Backup Time (Fully Charged)	14 Minutes	7 Minutes	7 Minutes	5 Minutes	7 Minutes	5 Minutes
0.85 Power Factor; 77° F; Approximately 30% More Runtime for Output Power Factor of 0.7 (Triple Backup Time at ½ Load)						
Recharge Time	24 Hours (Full), 12 Hours (90%)					
DC Link	216 VDC			288 VDC		
Output Characteristics						
Output Voltage	Single Phase 240/208/120 Vac (4 wire Output / L-L, N, G) 230 Vac (3 Wire Output L, N, G)					
Output Voltage Regulation	+/- 3 Max.; +/- 1% Typical					
Output Frequency	50/60 Hz; +/- 0.5 Hz/1.5 Hz (Factory or Authorized Service Center Selectable.)					
Output Voltage THD	< 3% for Linear Load; 1% Typical					
Common Mode Noise	< 0.5 V Peak					
Rated Load Power Factor	0.85 (0.6-1.0) Lag					
Efficiency (ac-dc-ac)	> than 85%					
Rated Output Current @ 240 V	15 A	25 A	33.3 A	42 A	58 A	75 A
Max. Peak Output Current	45 A	75 A	100 A	126 A	174 A	225 A
Overload Capacity	150% for 10 Seconds; 125% for 10 Minutes; 1000% for 1 Cycle					
Heat Generation (BTU/Hr)	1588	2610	3482	4352	6092	7832
Mechanical Design						
Enclosure	Enclosure of Unit Made from Steel; Complies with NEMA 1 and UL Type 1 Standard					
Enclosure Dimensions	27.5" x 10" x 33"		28.25" x 13" x 33.5"		39.1" x 17.5" x 34.8"	
Shipping Weight	365 lbs/166 kg	385 lbs/175 kg	490 lbs /222 kg	620 lbs/281 kg	750 lbs/340 kg	
Battery Pack Size	5" H x 7.3" W x 18.2" D (6 Batteries of NPX-35 Per Pack)					
Battery Pack Quantity	3		4		8	
Options						
RemotEyell R	SNMP & WEB Based Monitoring, Internal and External Modules Available					
Matching Battery Cabinet	Consult Factory					
Internal / Ext. Maintenance Bypass	Consult Factory					
Receptacle Panel & Line Cord	Consult Factory					
Warranty	3 Years on Electronics (UPS); 2 Years Full on Battery (See Toshiba Warranty Policy for Full Details)					



UPS ADJUSTABLE SPEED DRIVES MOTORS CONTROLS INSTRUMENTATION PLC

TOSHIBA

Available Through:

TOSHIBA INTERNATIONAL CORPORATION

INDUSTRIAL DIVISION

13131 West Little York Road, Houston, Texas 77041

Tel 713/466-0277 Fax 713/466-8773

US 800/231-1412 Canada 800/872-2192 Mexico 001/800/527-1204

www.toshiba.com/ind

Copyright 10/2006

