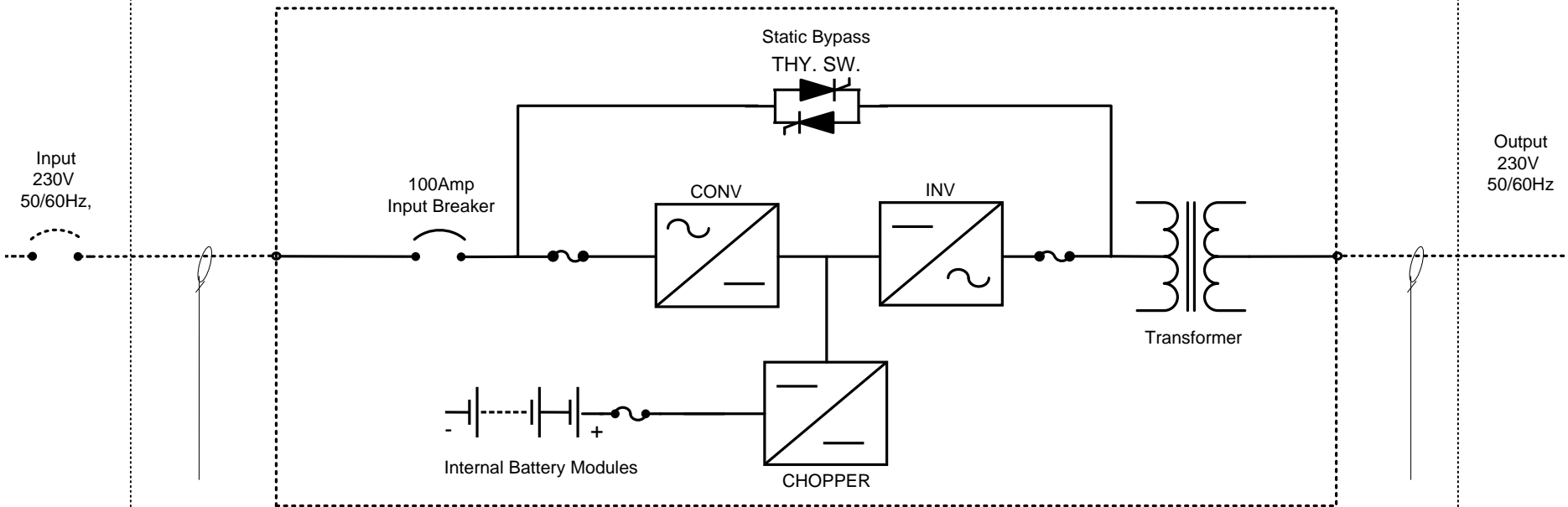
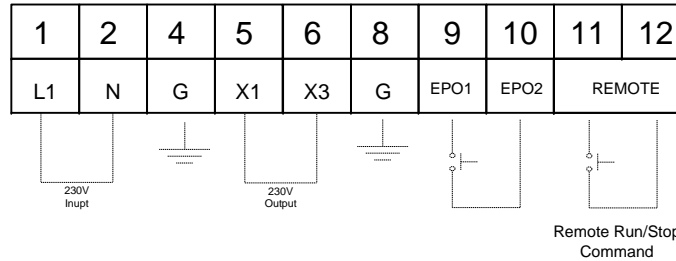


UPS Cabinet



Hardwire Configuration



NOTES

DRAWN BY	DATE
JE	11/17/05
APPROVED	DATE
GM	11/17/05

TOSHIBA

INTERNATIONAL CORPORATION
Houston Texas, USA

THIS MATERIAL IS THE EXCLUSIVE PROPERTY OF
TOSHIBA INTERNATIONAL CORPORATION AND SHALL NOT
BE REPRODUCED, USED, OR DISCLOSED TO OTHERS
UNLESS PRIOR WRITTEN AUTHORIZATION IS OBTAINED.

TITLE 1600 EP Series 14 kVA Model 230V Input 230V Output	
DRAWING NO.	REV.
UE3E1E140-5T	1.0