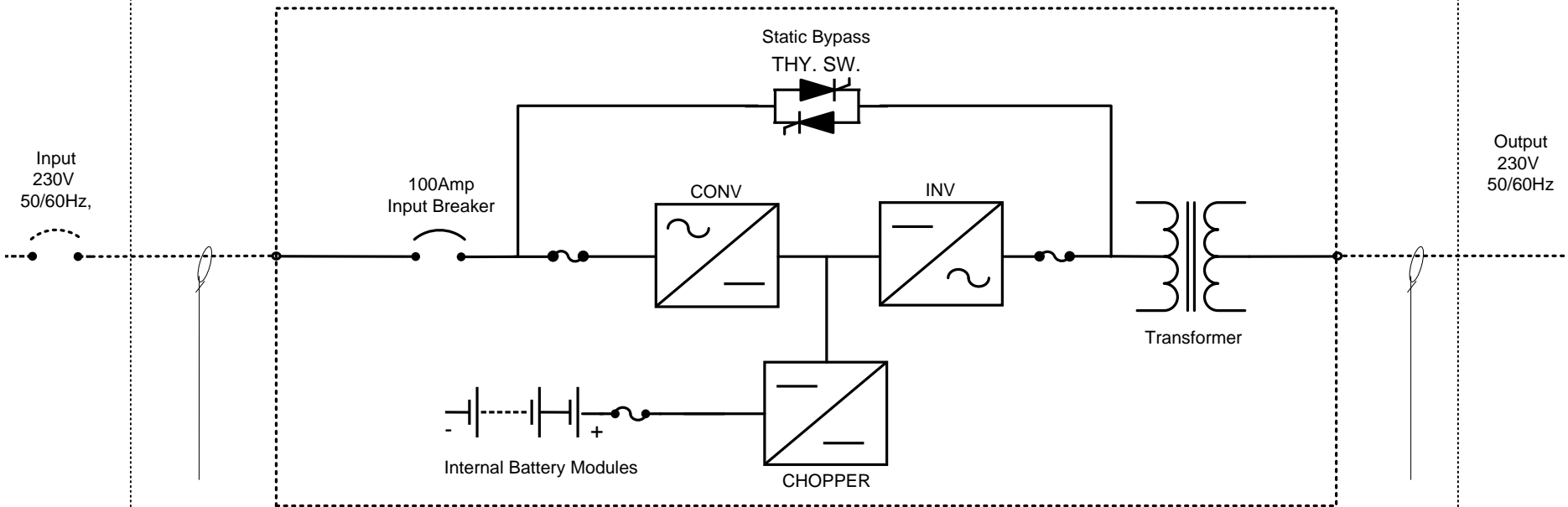
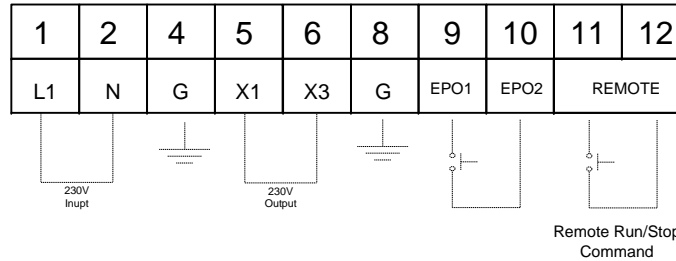


UPS Cabinet



Hardwire Configuration



NOTES

| | |
|----------|----------|
| DRAWN BY | DATE |
| JE | 11/17/05 |
| APPROVED | DATE |
| GM | 11/17/05 |

TOSHIBA

INTERNATIONAL CORPORATION
Houston Texas, USA

THIS MATERIAL IS THE EXCLUSIVE PROPERTY OF TOSHIBA INTERNATIONAL CORPORATION AND SHALL NOT BE REPRODUCED, USED, OR DISCLOSED TO OTHERS UNLESS PRIOR WRITTEN AUTHORIZATION IS OBTAINED.

| | |
|--|------|
| TITLE 1600 EP Series 18 kVA Model 230V Input 230V Output | |
| DRAWING NO. | REV. |
| UE3E1E180-5T | 1.0 |