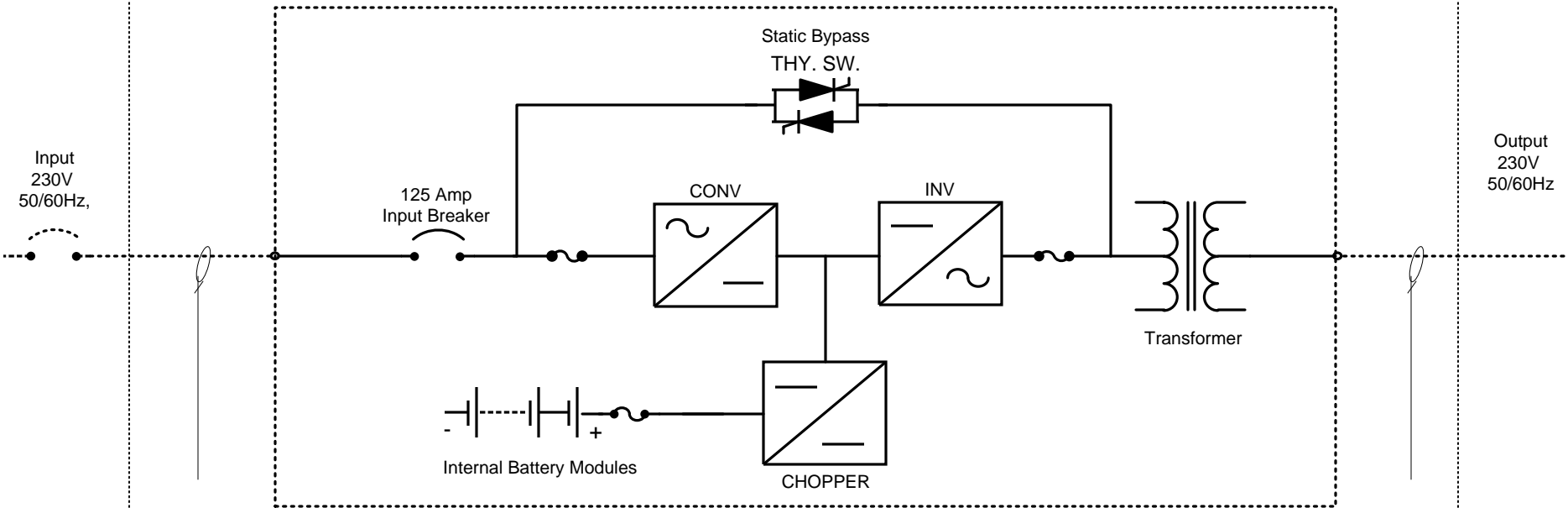
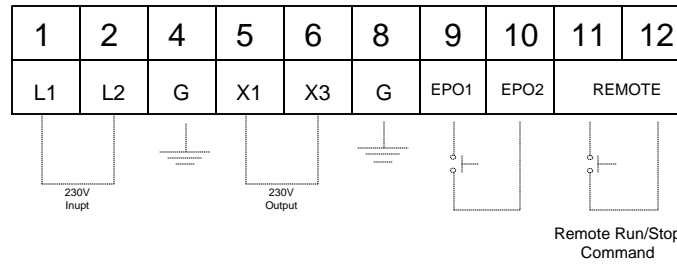


UPS Cabinet



Hardwire Configuration



NOTES

DRAWN BY	DATE
JE	02/12/07
APPROVED	DATE
GM	02/12/07

TOSHIBA
INTERNATIONAL CORPORATION
Houston Texas, USA

THIS MATERIAL IS THE EXCLUSIVE PROPERTY OF TOSHIBA INTERNATIONAL CORPORATION AND SHALL NOT BE REPRODUCED, USED, OR DISCLOSED TO OTHERS UNLESS PRIOR WRITTEN AUTHORIZATION IS OBTAINED.

TITLE 1600 EP Series 22 kVA Model 230V Input 230V Output	
DRAWING NO. UE3E1E220-51T	REV. 1.0