

## 1700 Series UPS Transformer Module Connection Guide

### IMPORTANT SAFETY INSTRUCTIONS

**SAVE THESE INSTRUCTIONS.** This sheet contains important instructions for Toshiba 1700 Series Transformer Modules. These instructions should be followed during the installation of the transformer module.

- The ambient temperature range in which this unit should be operated or stored is 32°F to 104 °F (0°C to 40 °C).
- This module should not be opened under any circumstances. There are no user servicable parts inside. For service contact your local Toshiba representative, or contact the Toshiba UPS marketing department toll-free at (800) 231-1412.
- When adding transformer modules, be sure to use the proper model unit.



### CAUTION

**Misuse of this equipment could result in human injury and equipment damage. In no event will Toshiba Corporation be responsible or liable for either indirect or consequential damage or injury that may result from the use of this equipment.**

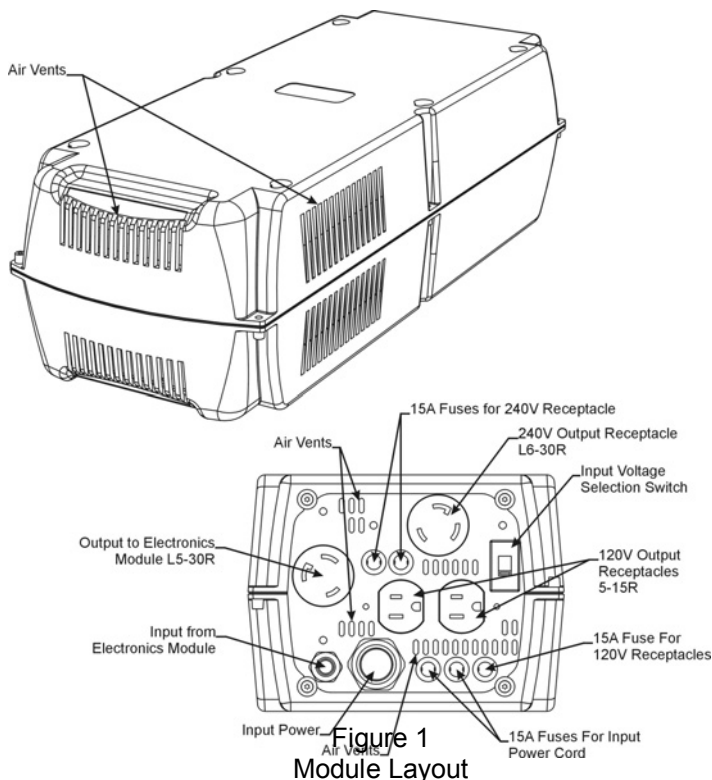
### Inspection/Installation

#### After Unpacking:

- 1) Check the unit for loose, broken, bent or otherwise damaged parts. If damage has occurred during shipment, keep all original packing materials for return to shipping agent. Warranty will not apply to units damaged during shipment.
- 2) Check to see that the rated capacity and the model number specified on the nameplate conform to the order specifications.

#### Installation Precautions

This transformer module is intended for use with a Toshiba 1700 Series UPS. **Any electrical or mechanical modifications to this equipment, without prior written consent of Toshiba International Corporation will void all warranties and may void UL/CUL listing. Unauthorized modifications also can result in personal injury, death, or destruction of the equipment.** When installing this transformer module follow all installation instructions and precautions as listed in the 1700 Series user manual



Model Number	UF1-IO-024-6BG
Capacity	2400VA (1.68kW)
Input voltage <sup>1</sup>	Single phase 208/240VAC, selectable
Output voltage	Single phase 120/240VAC
Output voltage regulation	Within +/- 3%, steady state
Rated load power factor	0.7
Rated output current (rms)	9.5A @ 240V 19A @120V
<b>Transformers</b>	
Input	Isolation
Output	Auto
<b>Mechanical Design</b>	
Weight	60 lbs (27.3 kg)
Dimensions (in[mm])	6[152]H x 8[203]W x 19.7[502]D

**Note:** No more than three modules should be stacked in any configuration. If the transformer module is being used with a system that has a second battery module at least one module must be placed beside the others. Stacking four modules could result in a tipping hazard.

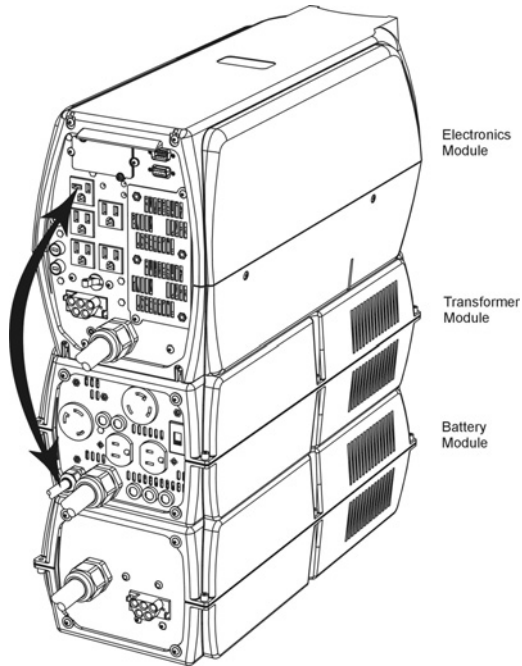
## UPS Connections

### Standard Unit with 208/240V Input, 120/240V Output Transformer Module

The figures below show the standard unit, consisting of one electronics module and one battery module, with the addition of the 208/240V input, 120/240V output transformer module. The modules do not have to be stacked for the unit to operate; however, if the modules are to be stacked please refer to the 1700 Series user manual for instructions on interlocking modules.

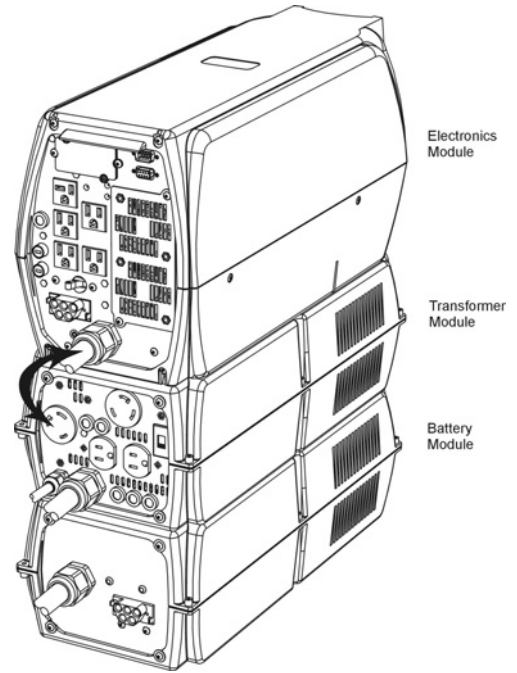
To connect the modules electrically follow these steps:

#### Step 1



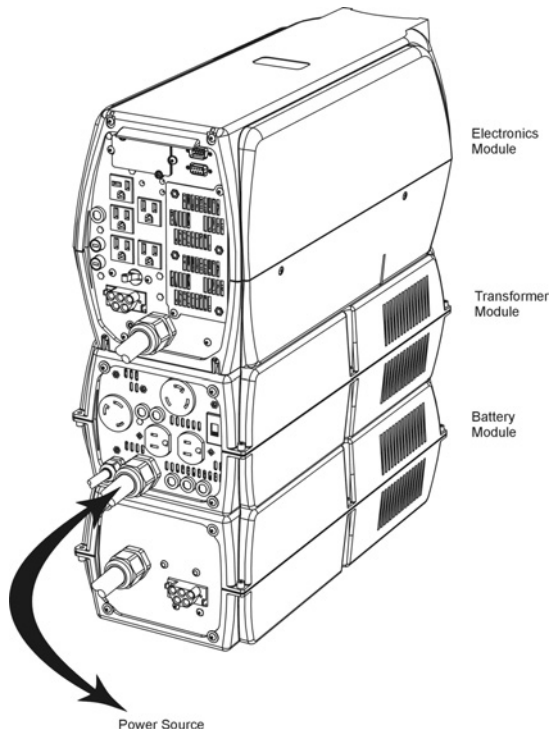
Plug the gray power cord coming from the transformer module (labeled "Input from UPS") into the gray 20A outlet on the back of the electronics module

#### Step 2



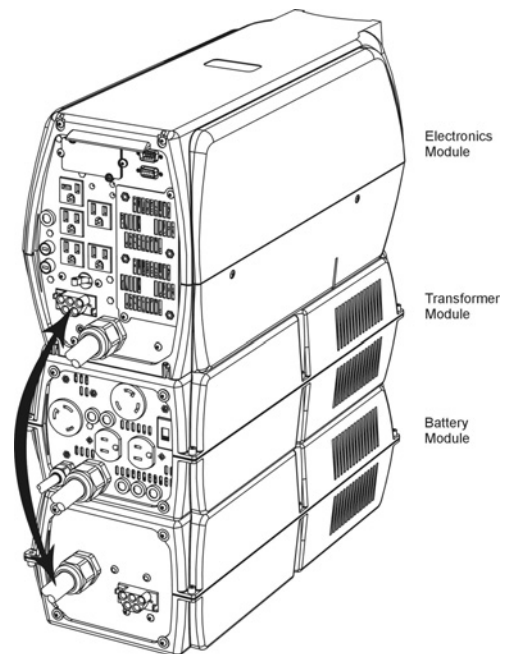
Plug the black power cord coming from the electronics module into the matching outlet on the back of the transformer module (labeled "Output to UPS").

#### Step 3



Plug the black power cord coming from the transformer module (labeled "Input Power") into the power source intended to supply power to the unit.

#### Step 4



Plug the blue battery connector coming from the battery module into the matching blue connector on the electronics module.