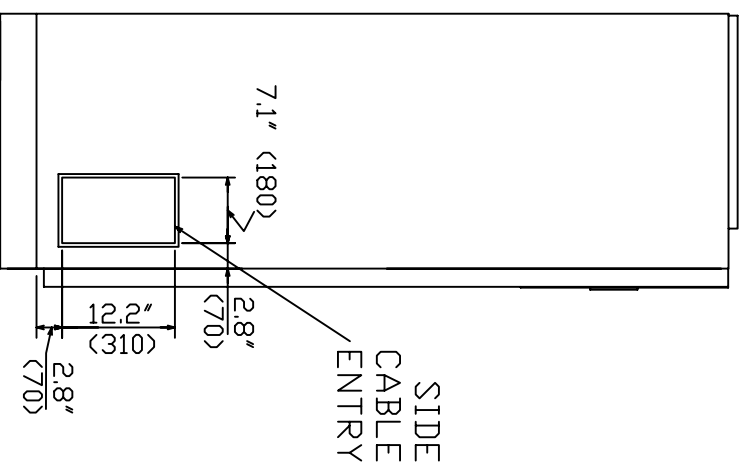
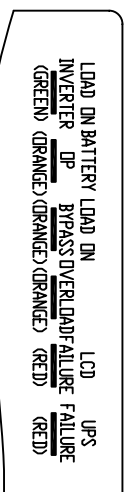


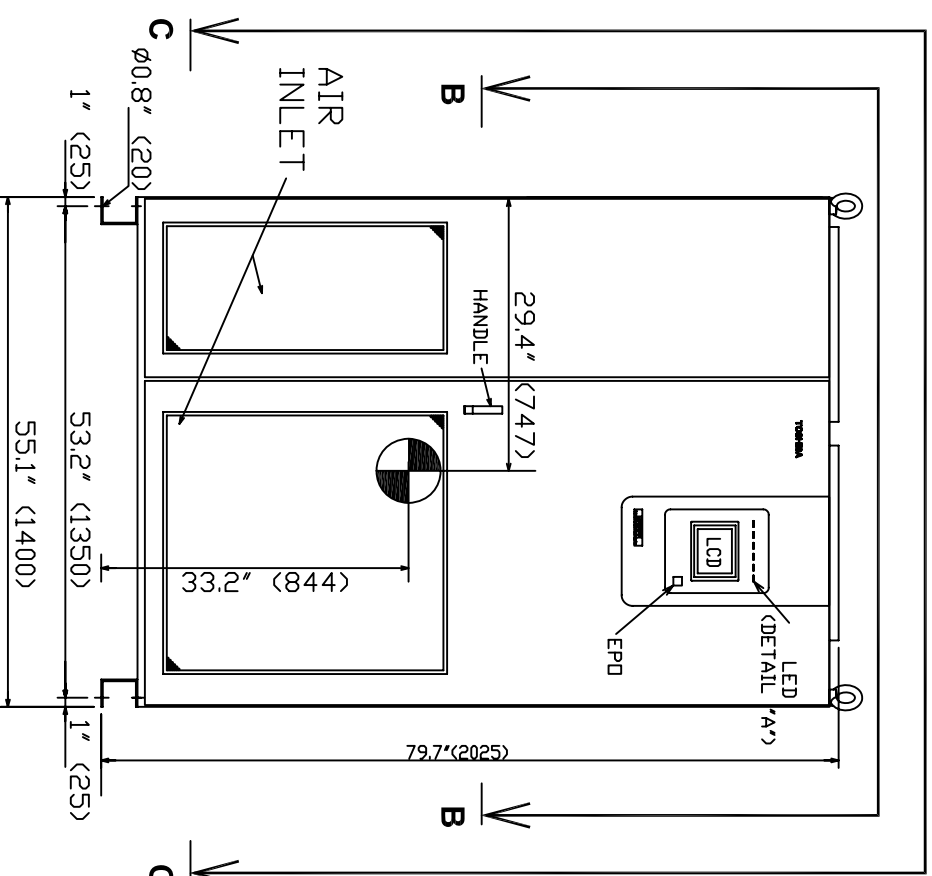
TOP VIEW

- NOTES
1. Cabinets must be maintained upright +/-10 degrees.
  2. Paint finish is color number 2.8Y7.7/D.3.
  3. Dimensions are inches (mm).

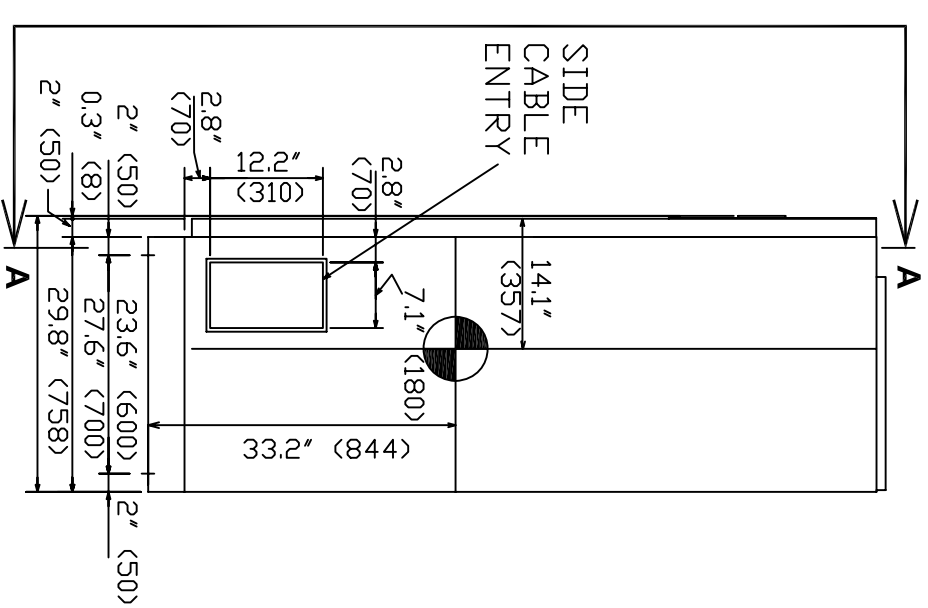
DETAIL "A"



LEFT SIDE VIEW



FRONT VIEW



RIGHT SIDE VIEW

3320# (1500kg)

INIT RELEASE	P0	JBT	JBT	DRAWN BY:	JBT	DATE	1/11/08
				CHECKED BY:		DATE	
				APPROVED BY:		DATE	

THIS MATERIAL IS THE EXCLUSIVE PROPERTY OF TOSHIBA INTERNATIONAL CORPORATION AND SHALL NOT BE REPRODUCED, USED OR DISCLOSED TO OTHERS UNLESS PRIOR WRITTEN AUTHORIZATION IS OBTAINED.

TITLE: 68000MM UPS 225KVA OUTLINE & INSTALLATION DRAWING

SCALE: NTS

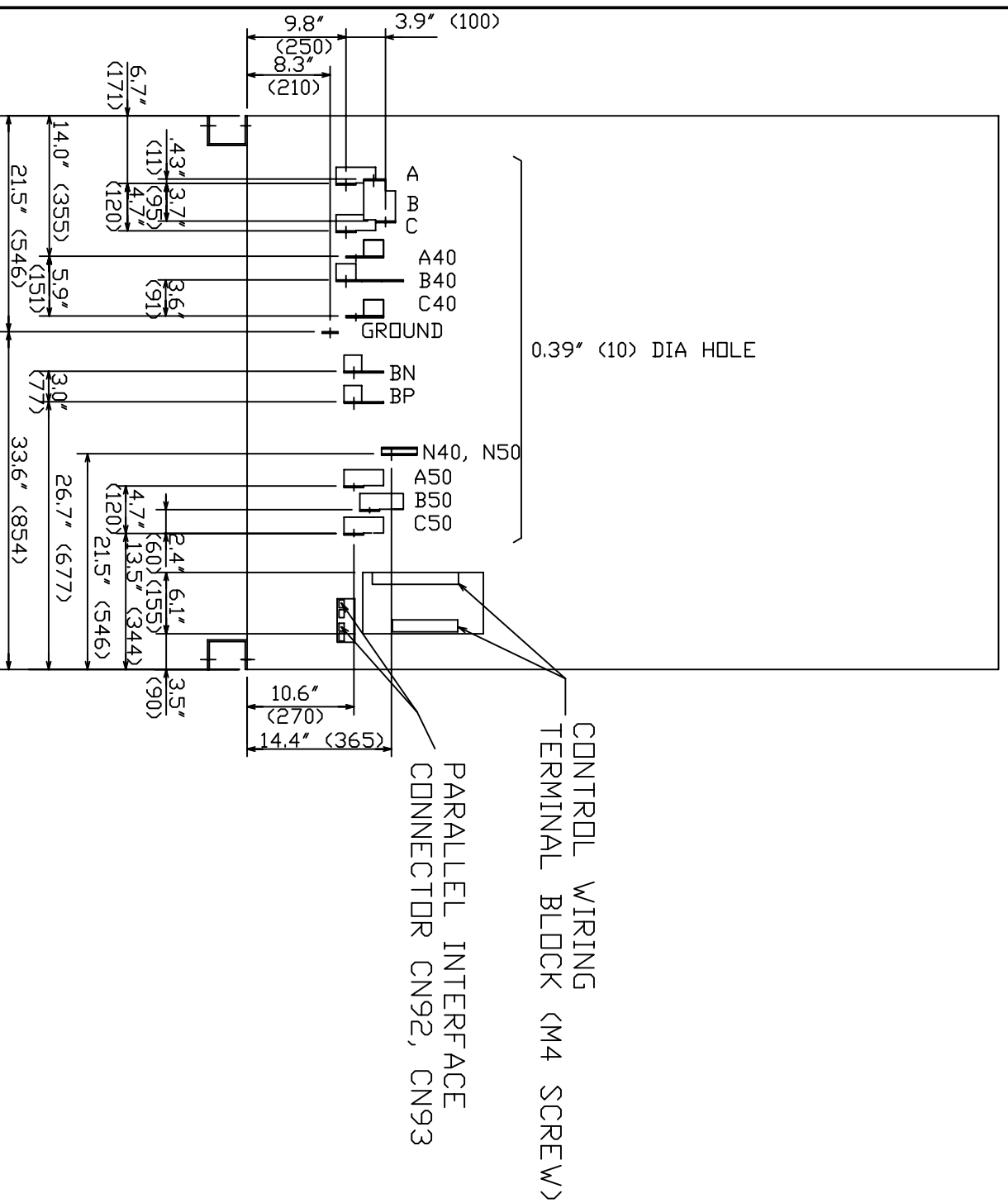
ORDER NO.

TOSHIBA INTERNATIONAL CORPORATION  
13131 WEST LITTLE YORK ROAD, HOUSTON, TX, 77041 U.S.A.

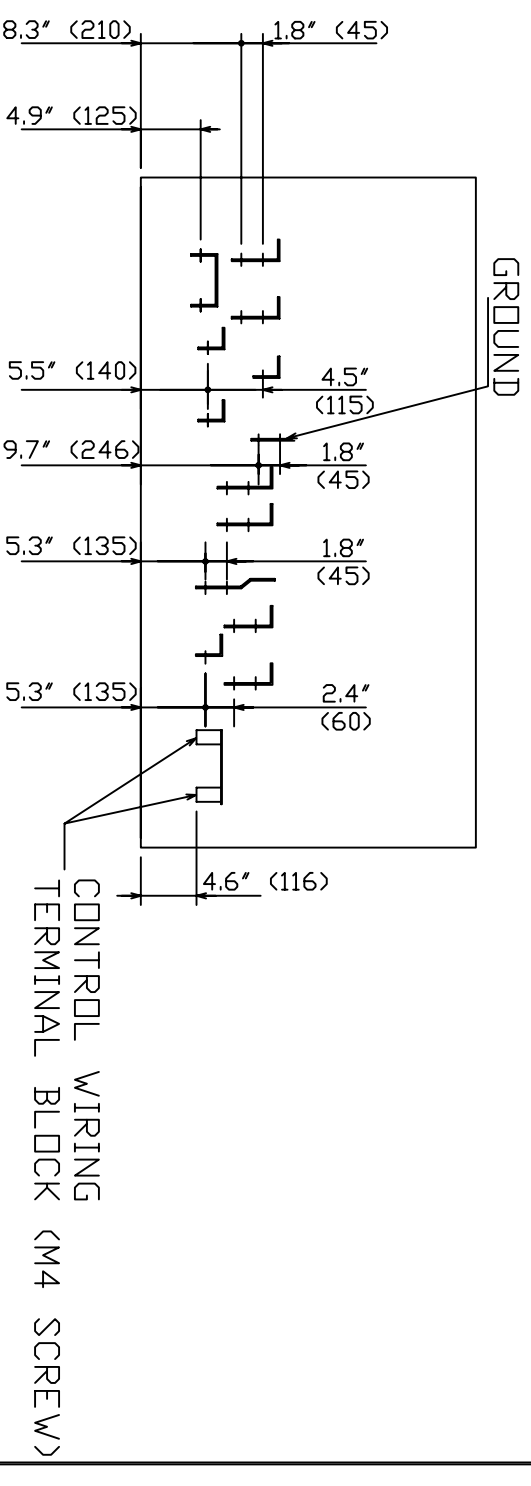
DRAWING NO. 22440L12-MKTG

SH.1

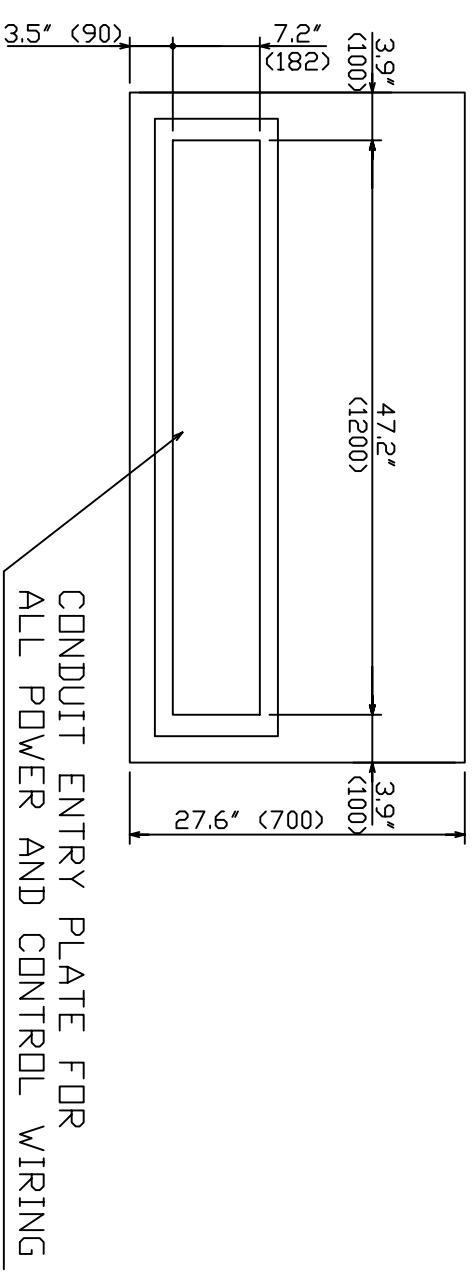
DF.2



SECTION A-A



SECTION B-B



SECTION C-C

INIT RELEASE	P0	JBT	DRAWN BY: JBT	DATE 1/11/07
			CHECKED BY	DATE
			APPROVED BY	DATE

THIS MATERIAL IS THE EXCLUSIVE PROPERTY OF TOSHIBA INTERNATIONAL CORPORATION AND SHALL NOT BE REPRODUCED, USED OR DISCLOSED TO OTHERS UNLESS PRIOR WRITTEN AUTHORIZATION IS OBTAINED.

TITLE: G8000MM UPS 225KVA  
OUTLINE & INSTALLATION DIAGRAM

TOSHIBA INTERNATIONAL CORPORATION  
13131 WEST LITTLE YORK ROAD, HOUSTON, TX, 77041 U.S.A.

SCALE: NTS  
DRAWING NO.: 2244DL22-MKTG

ORDER NO.