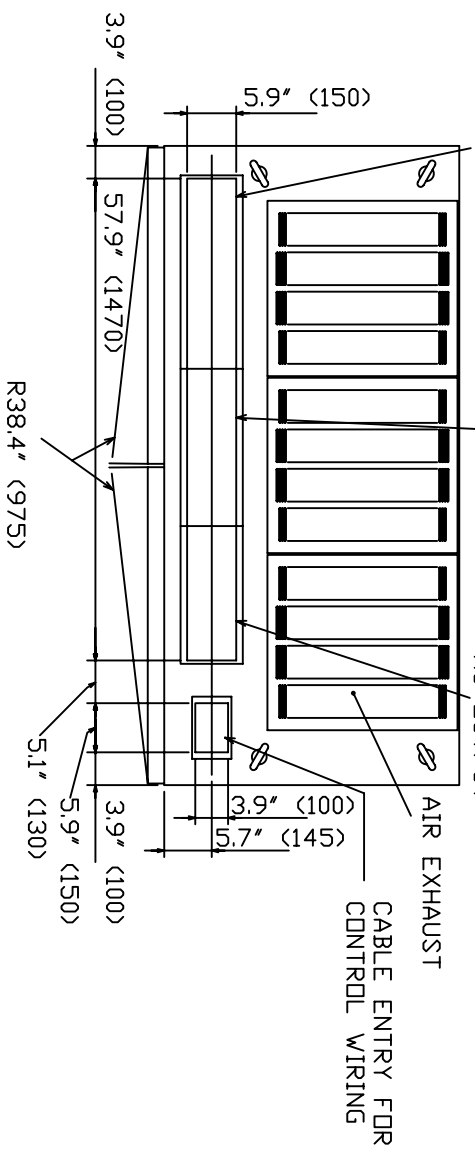


CABLE ENTRY FOR AC INPUT, DC INPUT

CABLE ENTRY FOR BYPASS INPUT

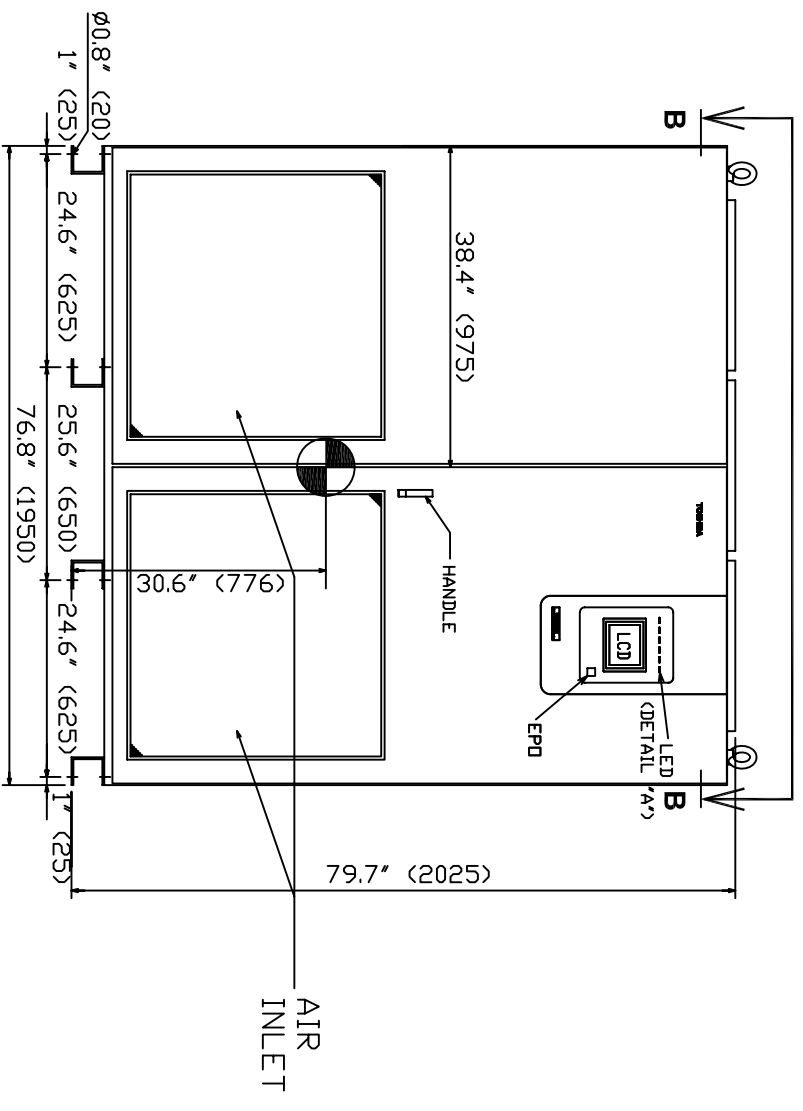
CABLE ENTRY FOR AC OUTPUT



TOP VIEW

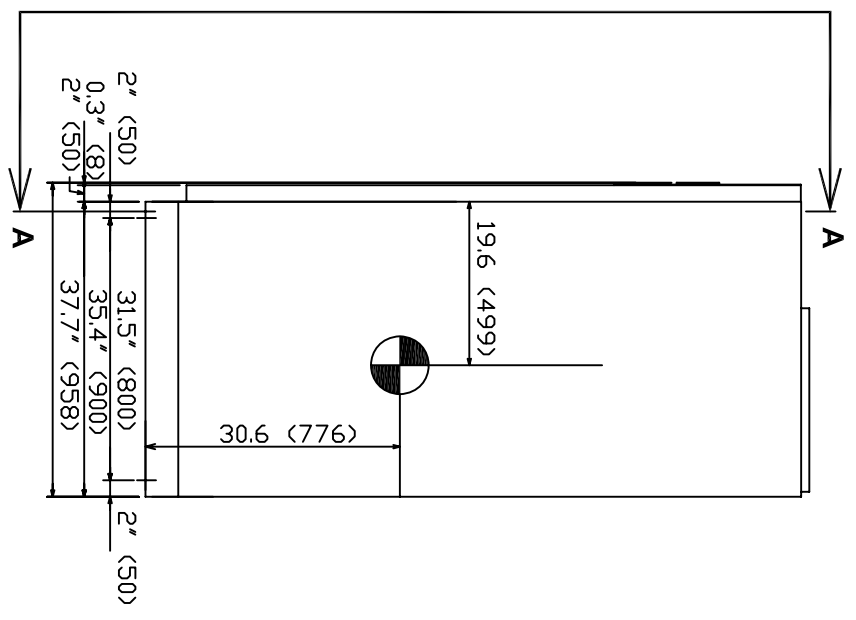
- NOTES
1. Cabinets must be maintained upright +/-10 degrees.
 2. Paint finish is color number 2.8Y7.7/D.3.
 3. Dimensions are inches (mm).

LOAD ON BATTERY LOAD ON INVERTER BYPASS OVERLOAD FAILURE UPS LCD UPS FAILURE (GREEN) (ORANGE) (ORANGE) (RED) (RED)



FRONT VIEW

4980# (2260kg)



RIGHT SIDE VIEW

DETAIL "A"

INIT RELEASE P0 JBT

DRAWN BY: JBT DATE: 10/15/07

CHECKED BY: DATE:

APPROVED BY: DATE:

THIS MATERIAL IS THE EXCLUSIVE PROPERTY OF TOSHIBA INTERNATIONAL CORPORATION AND SHALL NOT BE REPRODUCED, USED OR DISCLOSED TO OTHERS UNLESS PRIOR WRITTEN AUTHORIZATION IS OBTAINED.

TITLE: G8000MM UPS 300kVA OUTLINE & INSTALLATION DRAWING

TOSHIBA INTERNATIONAL CORPORATION
13131 WEST LITTLE YORK ROAD, HOUSTON, TX, 77041 U.S.A.

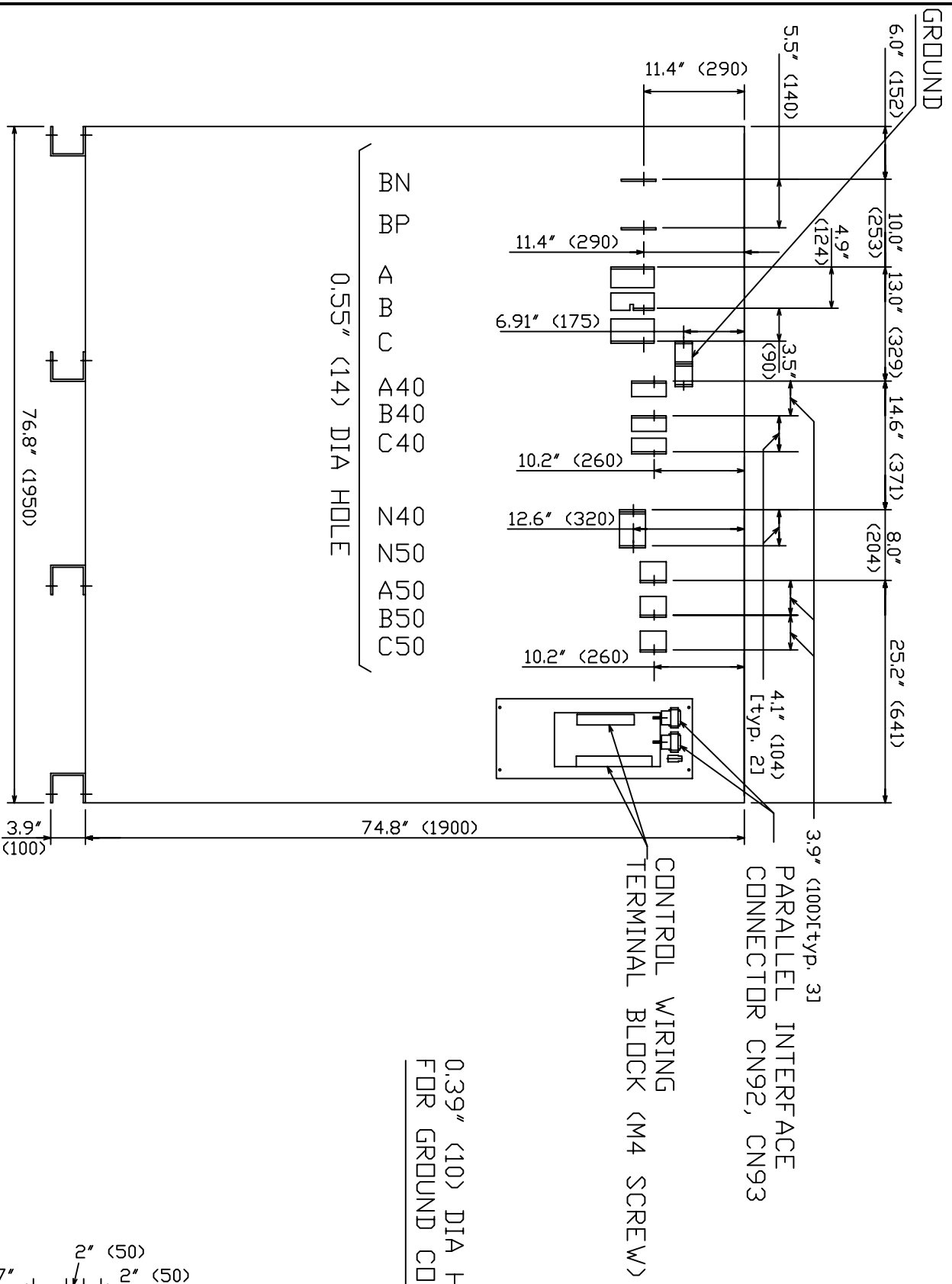
SCALE: NTS

ORDER NO.

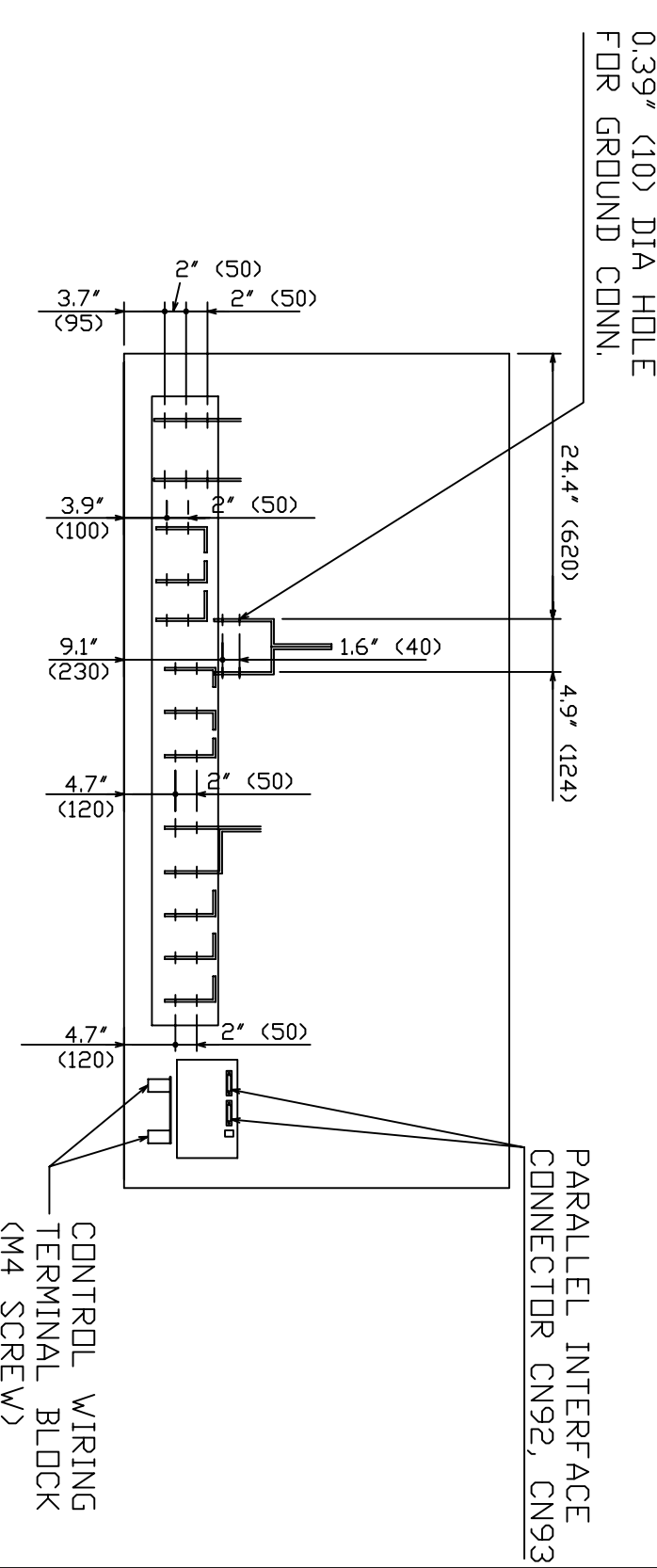
DRAWING NO.: 3044DL12-MKTG

SH.1

OF 2



SECTION A-A



SECTION B-B

INIT	RELEASE	P0	JBT	DRAWN BY: JBT	DATE 10/15/07	THIS MATERIAL IS THE EXCLUSIVE PROPERTY OF TOSHIBA INTERNATIONAL CORPORATION AND SHALL NOT BE REPRODUCED, USED OR DISCLOSED TO OTHERS UNLESS PRIOR WRITTEN AUTHORIZATION IS OBTAINED.	TITLE G8000MM UPS 300kVA OUTLINE AND INSTALLATION DRAWING	SCALE NTS	ORDER NO.
				CHECKED BY	DATE			DRAWING NO. 30440L22-MKTG	
				APPROVED BY	DATE	TOSHIBA INTERNATIONAL CORPORATION 13131 WEST LITTLE YORK ROAD, HOUSTON, TX, 77041 U.S.A.			