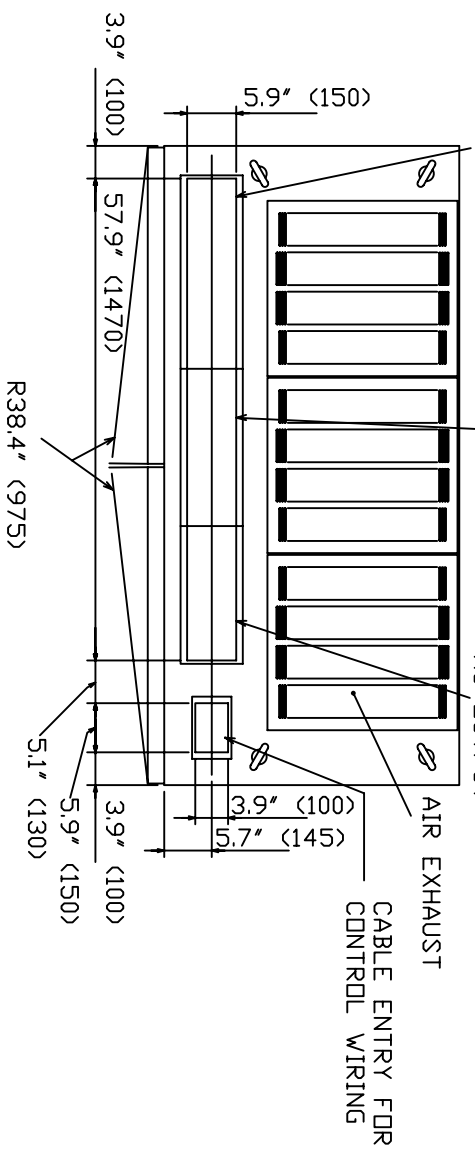


CABLE ENTRY FOR AC INPUT, DC INPUT

CABLE ENTRY FOR BYPASS INPUT

CABLE ENTRY FOR AC OUTPUT

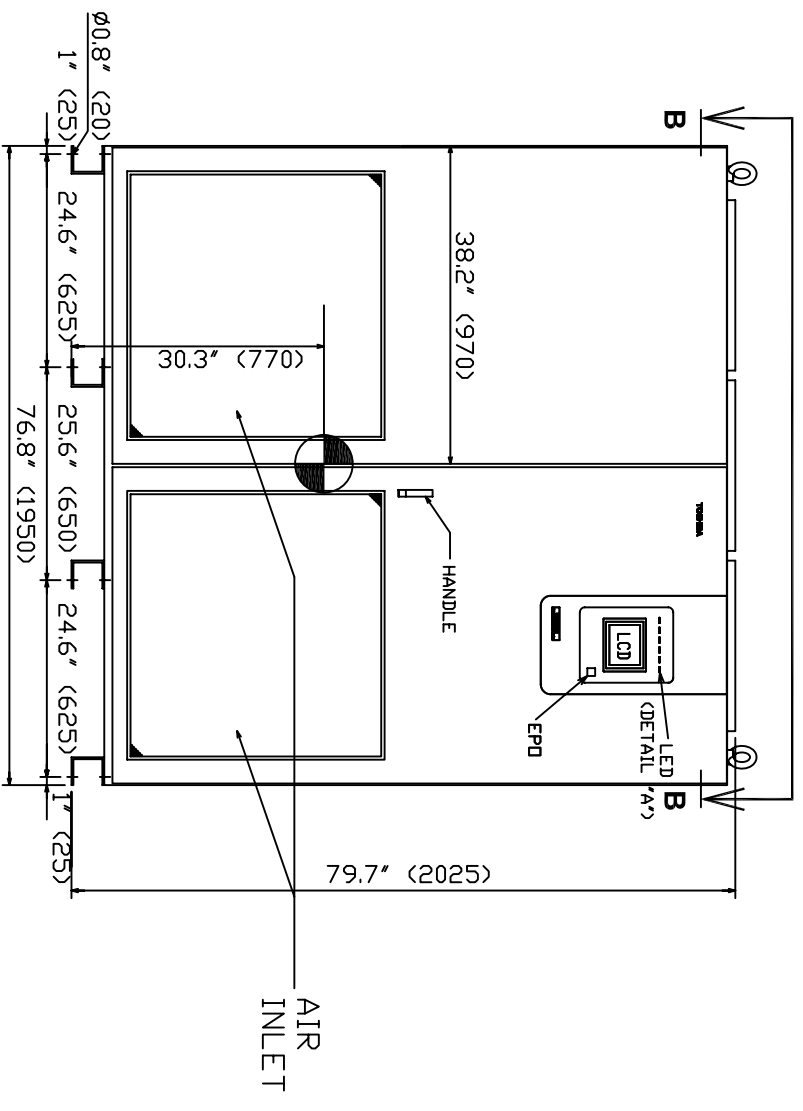


TOP VIEW

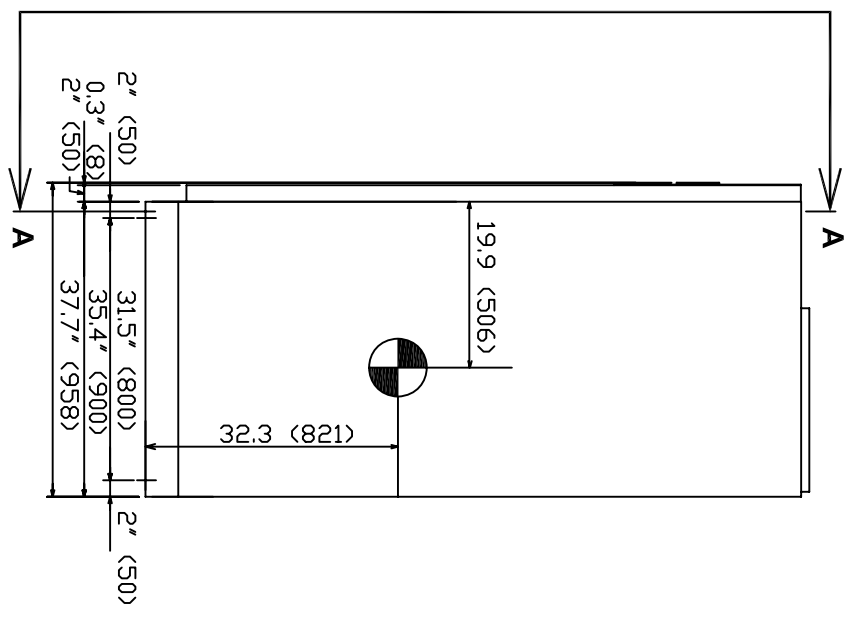
- NOTES
1. Cabinets must be maintained upright +/-10 degrees.
 2. Paint finish is color number 2.8Y7.7/D.3.
 3. Dimensions are inches (mm).

LOAD ON BATTERY LOAD ON INVERTER BYPASS OVERLOAD FAILURE UPS LCD UPS FAILURE (RED) (GREEN) (ORANGE) (ORANGE) (RED) (RED)

DETAIL "A"



FRONT VIEW



RIGHT SIDE VIEW

5250# (2380kg)

INIT RELEASE P0 JBT

DRAWN BY: JBT DATE: 10/15/07

CHECKED BY: DATE:

APPROVED BY: DATE:

THIS MATERIAL IS THE EXCLUSIVE PROPERTY OF TOSHIBA INTERNATIONAL CORPORATION AND SHALL NOT BE REPRODUCED, USED OR DISCLOSED TO OTHERS UNLESS PRIOR WRITTEN AUTHORIZATION IS OBTAINED.

TITLE: G8000MM UPS 375kVA OUTLINE & INSTALLATION DRAWING

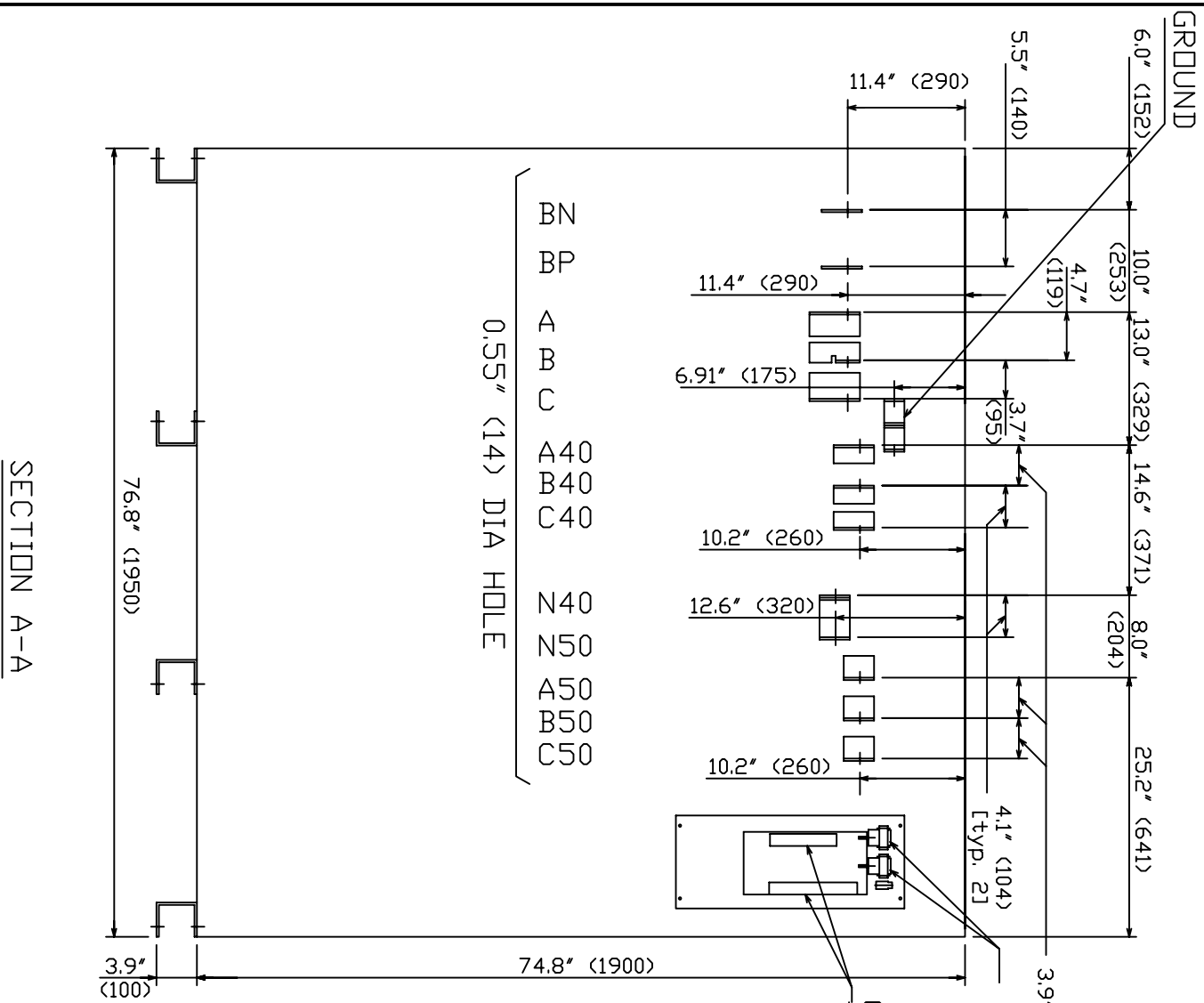
TOSHIBA INTERNATIONAL CORPORATION
13131 WEST LITTLE YORK ROAD, HOUSTON, TX, 77041 U.S.A.

SCALE: NTS ORDER NO.:

DRAWING NO. 37440L12-MKTG

SH.1

OF 2



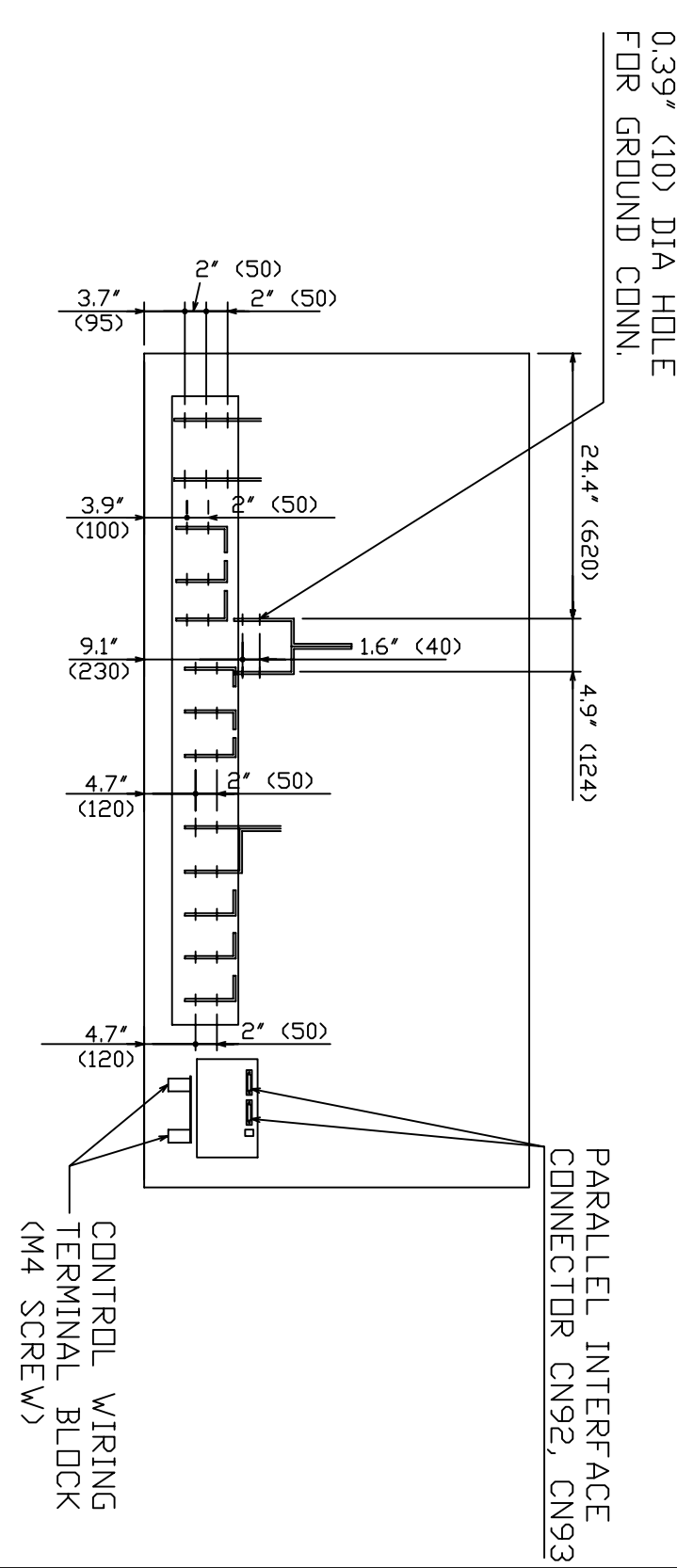
GROUND

PARALLEL INTERFACE CONNECTOR CN92, CN93

CONTROL WIRING TERMINAL BLOCK (M4 SCREW)

0.55" (14) DIA HOLE

BN
BP
A
B
C
A40
B40
C40
N40
N50
A50
B50
C50



0.39" (10) DIA HOLE FOR GROUND CONN.

PARALLEL INTERFACE CONNECTOR CN92, CN93

CONTROL WIRING TERMINAL BLOCK (M4 SCREW)

SECTION B-B

INIT	RELEASE	P0	JBT	DRAWN BY JBT	DATE 10/15/07
				CHECKED BY	DATE
				APPROVED BY	DATE

THIS MATERIAL IS THE EXCLUSIVE PROPERTY OF TOSHIBA INTERNATIONAL CORPORATION AND SHALL NOT BE REPRODUCED, USED OR DISCLOSED TO OTHERS UNLESS PRIOR WRITTEN AUTHORIZATION IS OBTAINED.

TITLE: 68000MM UPS 375KVA
OUTLINE AND INSTALLATION DRAWING

TOSHIBA INTERNATIONAL CORPORATION
13131 WEST LITTLE YORK ROAD, HOUSTON, TX, 77041 U.S.A.

SCALE: NTS

DRAWING NO. 3744DL22-MKTG

ORDER NO.