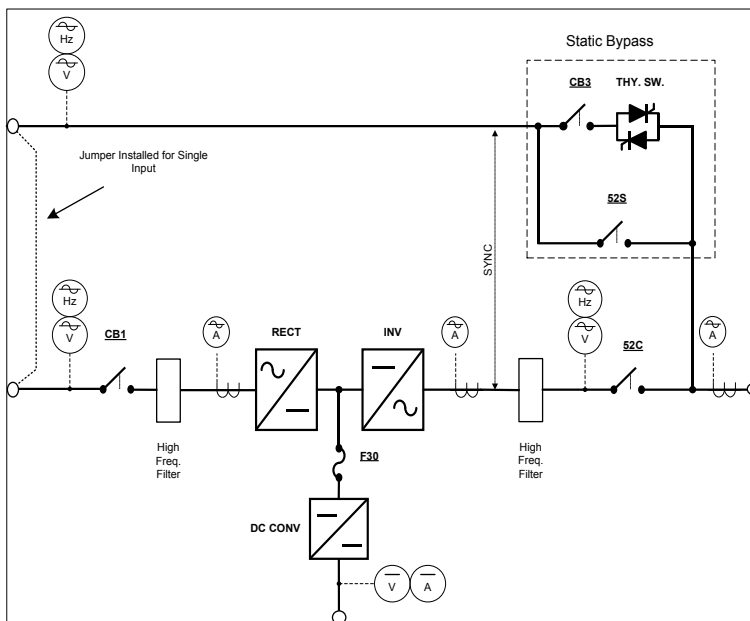


160 kVA



Features at-a-glance

- Single/Parallel in one box for modular design
- Parallel up to four units
- Redundant Circuitry in each UPS for reliability
- True Online, Double-Conversion Technology
- Dual Input Design (Alternate Input for bypass)
- Hybrid Static Bypass Switch
 - Thyristor + Contactor for highest reliability

- LCD Touch screen Graphic Display
- IGBT Inverter – Next Generation Technology
- All Digital Signal Processor (DSP) software logic using 12 bit processor
- Front Access for Installation and Maintenance.
- Bottom or Side Access for Power cables

- Battery Temperature Compensation
- Generator Compatible 1.1:1
- Monitoring Options
 - RemotEye II (SNMP/Web)
 - MODBUS, BACnet, Metasys adapters
 - Memory Card w/software
 - Programmable Dry Contacts

G9000 160 kVA UPS Specifications

<p>Input Specifications</p> <p>Voltage range: 480V, 3Φ, 3W Voltage Range: +15% -20% Frequency range: 60Hz, +/- 10% Power factor: >0.99 Input current THD: less than 3% at 100% load Surge protection: Up to 5kA/10kV; Meets EN61643-11</p> <p>Battery Specifications</p> <p>Cabinets or Racks with DC Breaker Battery type: Sealed Valve Regulated Lead-Acid (VRLA) or Flooded Batteries Recharge time: 10 x discharge time to 95% capacity DC Link: 480VDC Nominal</p>	<p>Output Specifications: 160 kVA/144 kW (0.9PF)</p> <p>Voltage: 480V, 3Φ, 3W Voltage regulation: +/- 1% Max Freq. regulation: +/- 0.01% (Free running) Transient response: +/-2% at 100% load step (recovery in less than 20 ms)</p> <p>Voltage Distortion: Less than 2% for 100% linear load Less than 5% for 100% non-linear load</p> <p>Freq. sync range: +/- 1% to +/- 5.0% (in 1% increments) Freq. slew rate: 1 Hz/s to 5 Hz/s (in 1 Hz/s increments) Voltage adjustment: +/-5% (user selectable) Overload capacity: 150% for 1 minute 125% for 2 minutes</p> <p>Crest Factor: 2.3 : 1</p>
--	---

TOSHIBA

Leading Innovation >>>

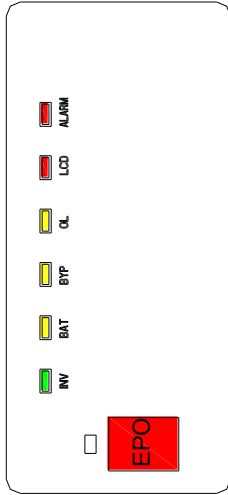
G9000 160 kVA UPS Specifications (cont.)

Bypass Specifications Voltage: 480V, 3Φ, 3W Overload capacity: 1000% for 1 cycle	Standards UL/CUL 1778 Listed ISO 9001, ISO 14001 ANSI C62.41 (IEEE 587) All cabinets provide for seismic zone 4 mounting FCC Class A, Article 47, Part 15B
Environmental Specifications Ambient temperature: 0C to +40C Relative humidity: 5%-95% Non-Condensing Altitude: 0 to 7380 feet without derating Audible noise: Less than 69.5 dBA at 1 meter	Options Toshiba Distribution Cabinet (TDC): MBS and distribution in one line-up-and-match cabinet Slim Matching Maintenance Bypass Cabinet RemotEye II™ Network Adapter MODBUS/BACnet/MetasyS Adapter Extended Warranty and Maintenance Agreements (Contact Factory for Details)

Model # : T90S3S16KS6XSN

Input			Output		
Input Voltage	Volts	480	Output Voltage	Volts	480
Input Voltage Range	+15% to -20%		Frequency	Hz	60
Minimum	Volts	384	AC Output Current		
Maximum	Volts	552	Nominal Amps	Amps	192
Frequency	Hz	60	2 Minutes Max.	Amps	240
AC Input Current			DC Link		
Nominal Amps	Amps	181	Float Voltage	Volts	545
Maximum Amps ⁽¹⁾	Amps	192	End of Discharge	Volts	400
Bypass			Charger	Amps	40
Bypass Input	Volts	480	Environmental		
Nominal Amps	Amps	192	Efficiency	%	96.5
1 Cycle Max.	Amps	1920	Full Load Heat Dissipation		
			BTU/Hr.	17,821	
			kW Loss	5.22	

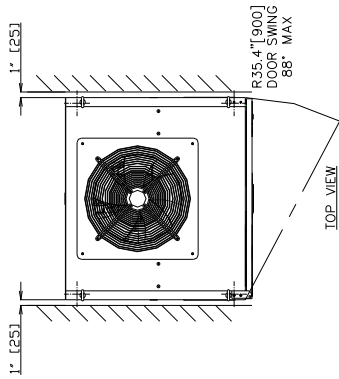
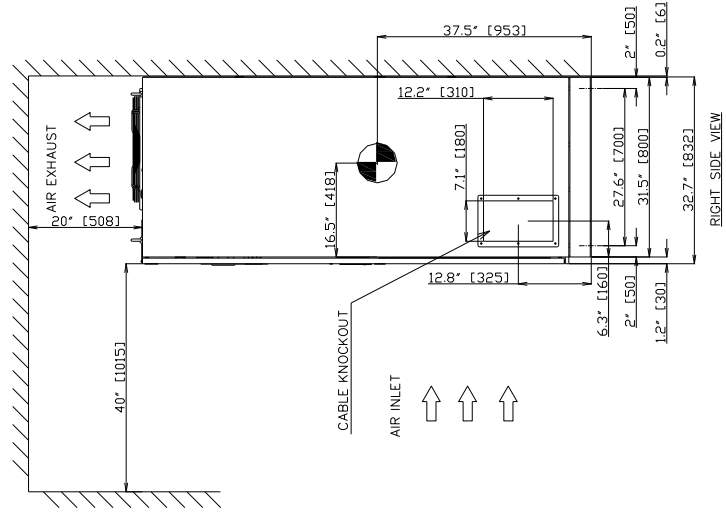
(1) Maximum Amps equals 106% of full load current.



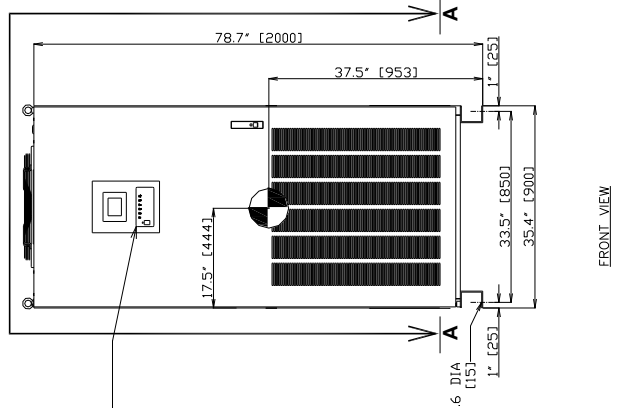
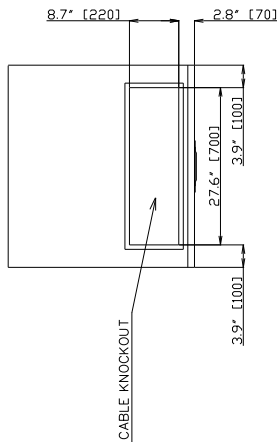
DETAIL "A"

NOTES:

1. DIMENSIONS ARE SHOWN IN INCHES (MILLIMETERS IN BRACKETS []).
2. SIDE CLEARANCE OF 1" [25] IS NOT REQUIRED WITH CABINETS INSTALLED SIDE-BY-SIDE.
3. CABINET SHOULD BE MAINTAINED UPRIGHT WITHIN ±15° DURING MOVING.



SECTION A-A



TYPE	: T90S3S16KS6XSXN
RATING	: 160KVA-3P3W-480V-60Hz
APPROX. WEIGHT	: 1,160LBS (528kg)
HEAT REJECTION	: 17.8 kBTUs/hour