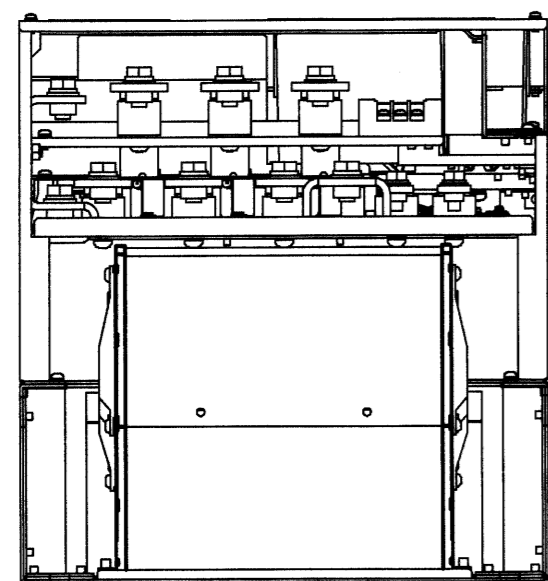
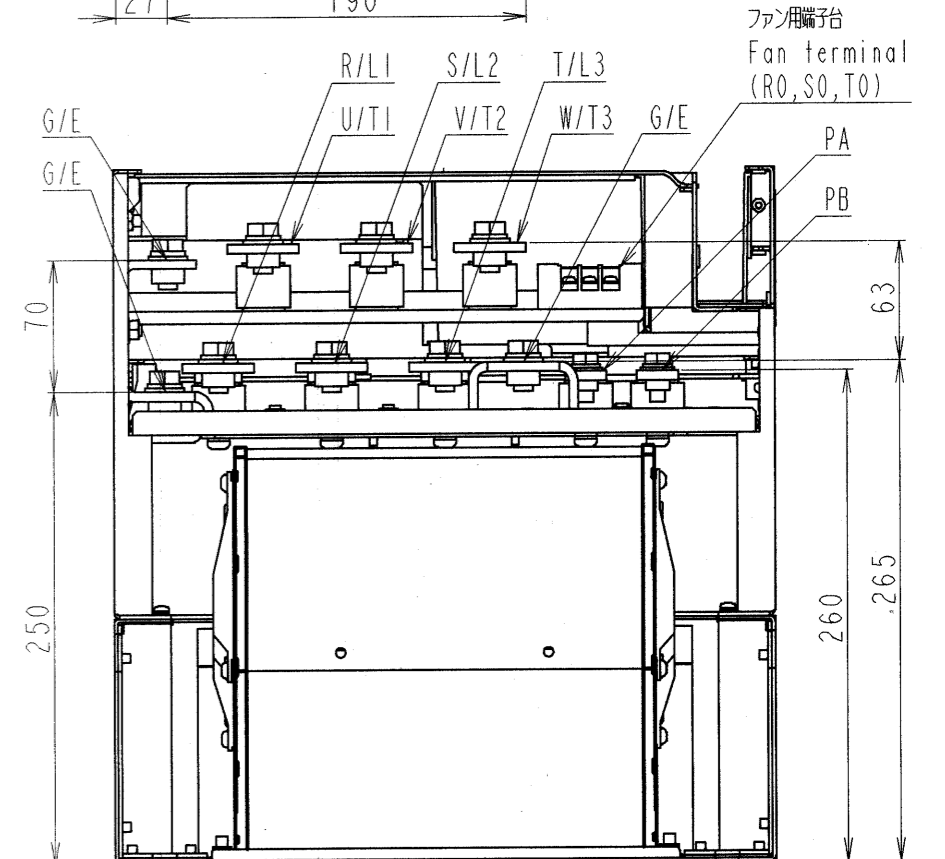
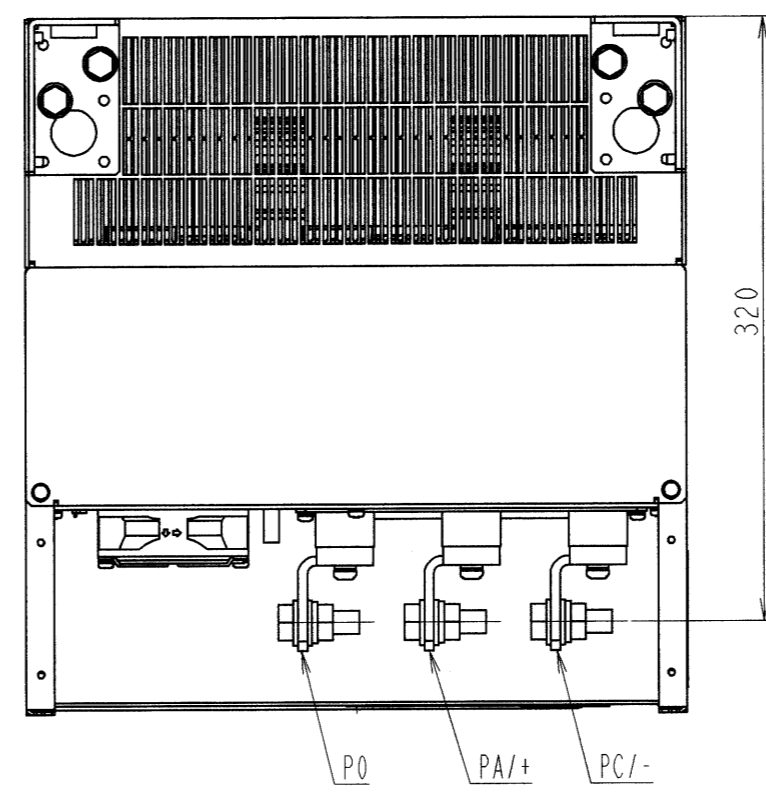
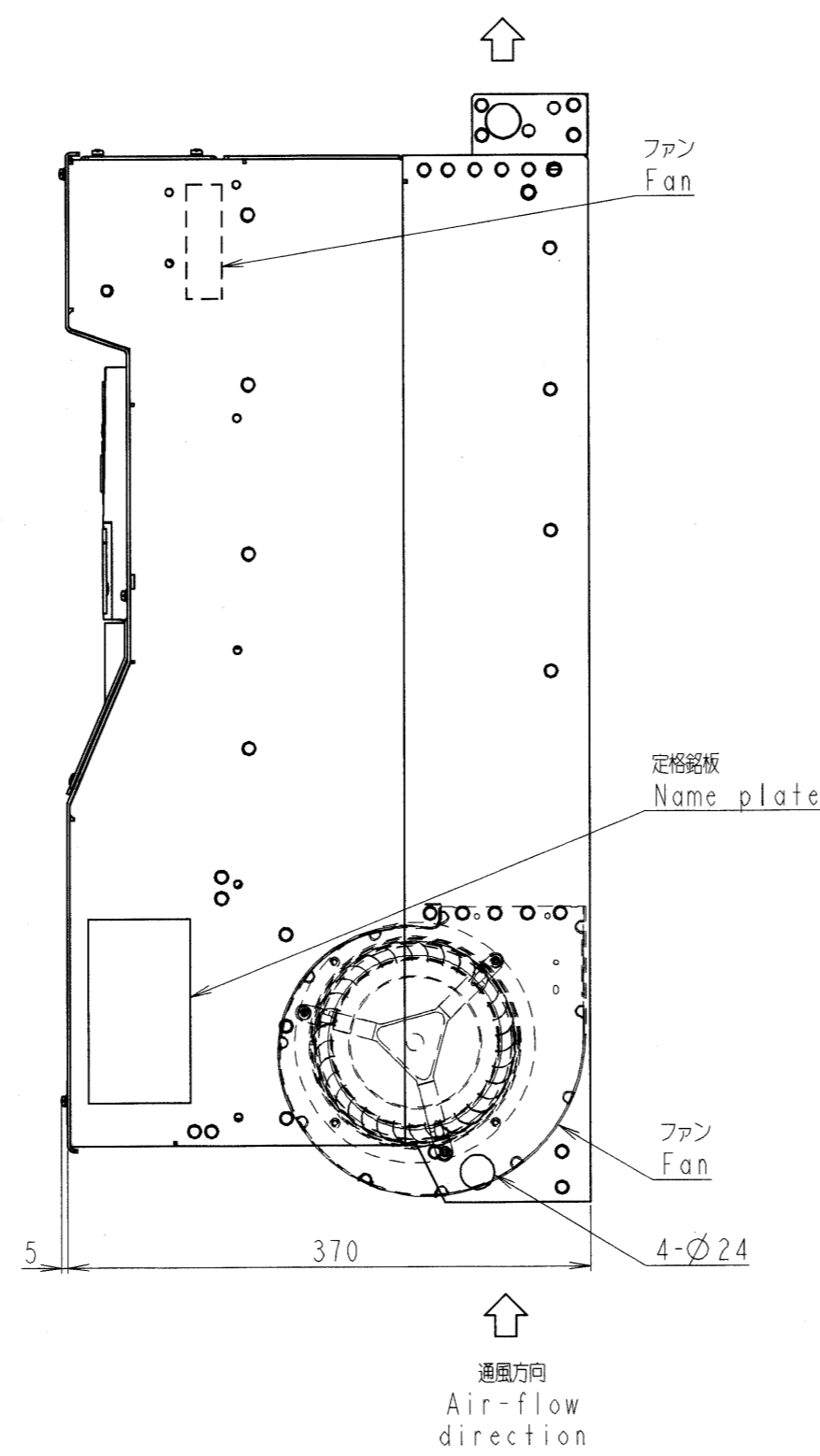
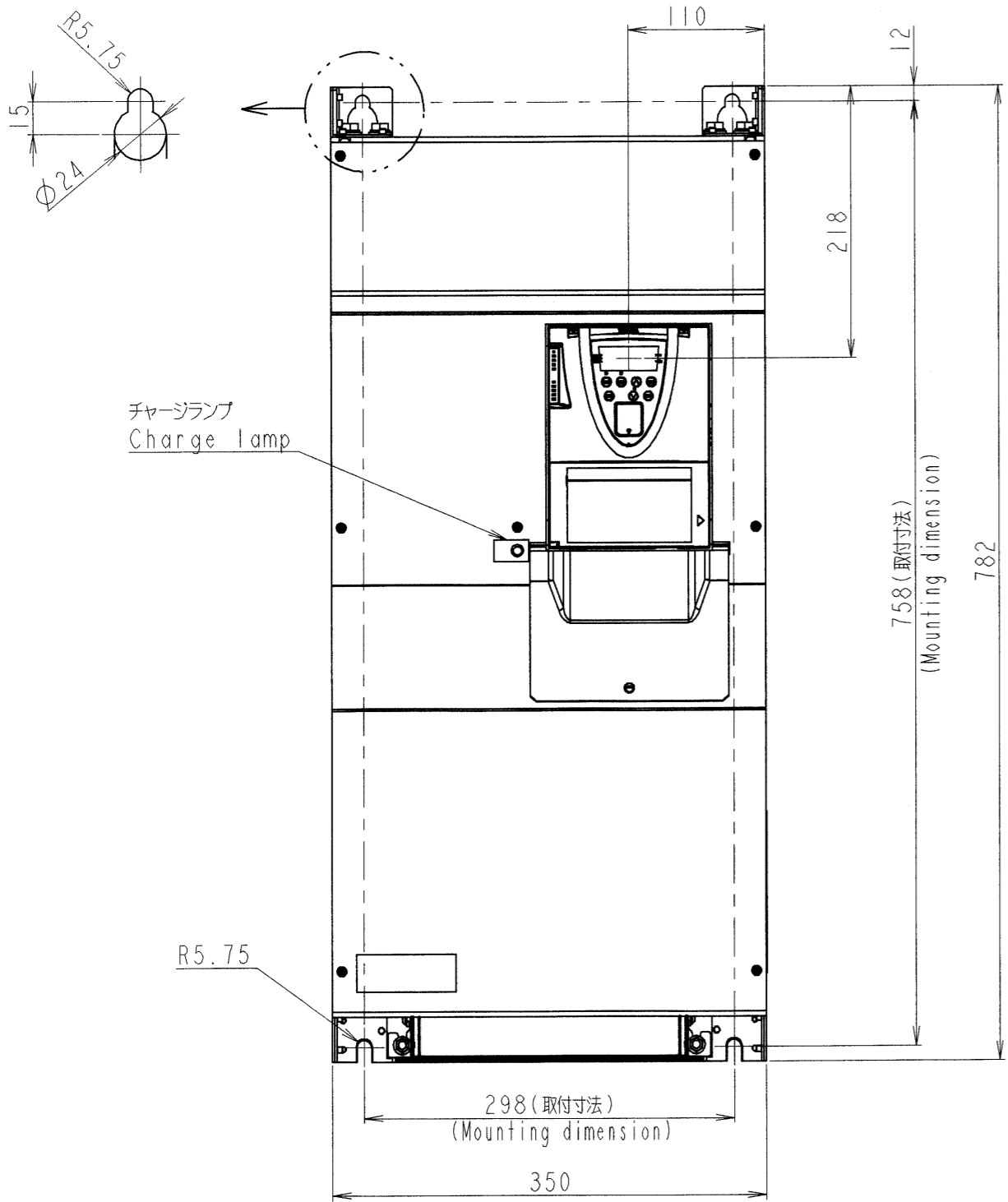
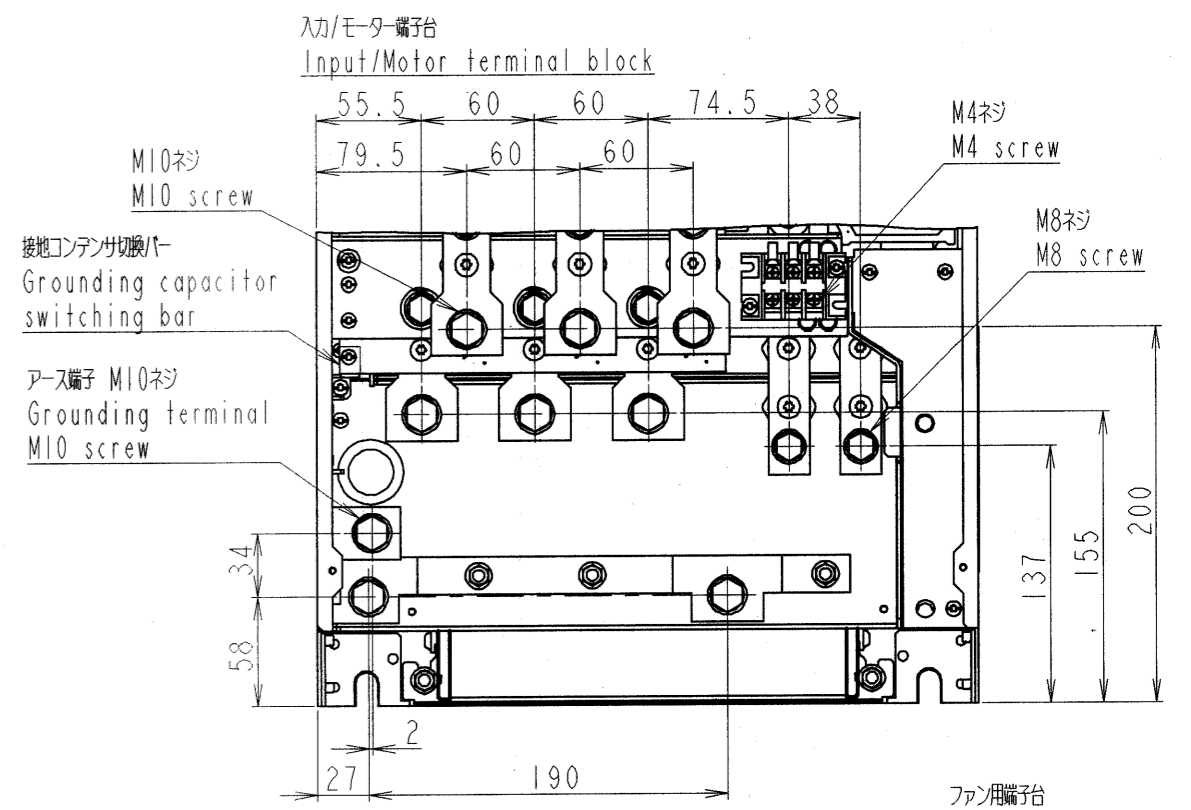
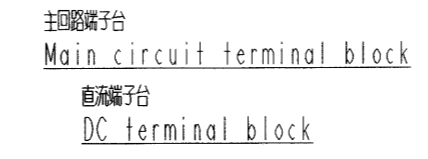
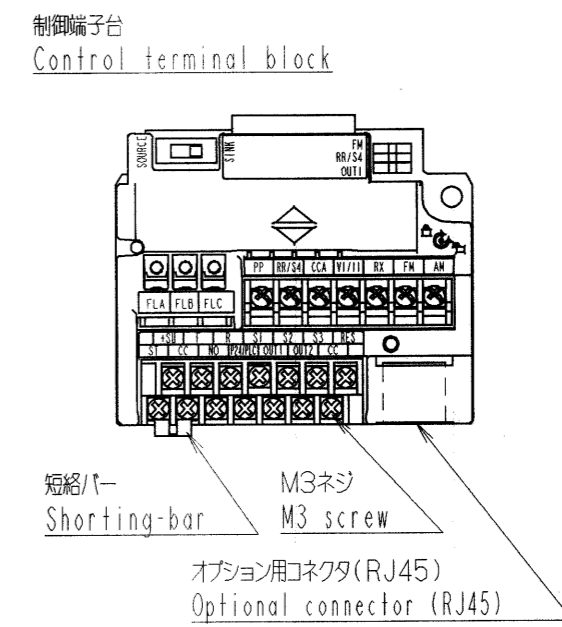
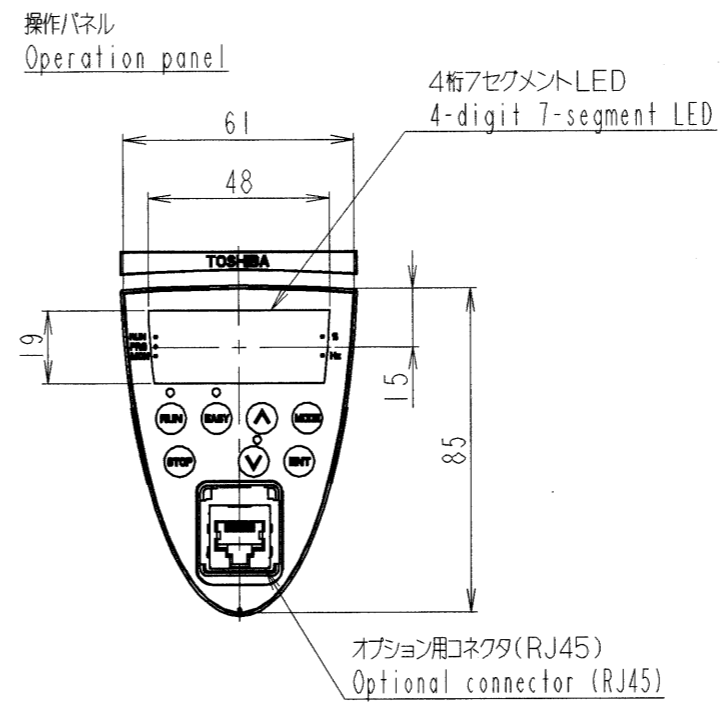
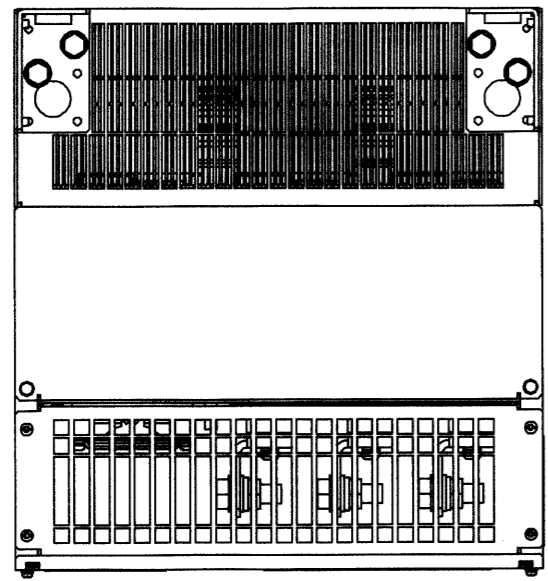


図面番号 DRAWING NO. P6582905
 変更記号 REV. MARK



本体色: RAL7016 (Dark gray)
 JIS表示記号 10B 2.5/1
 Box color: RAL 7016 (Dark gray)
 JIS 10B 2.5/1

形式 TYPE-FORM	概略質量(kg) Approx. mass
VFAS1-2750P-A1	72
VFAS1-4110KPC-A1	74

INVERTER APPARATUS	VFAS1 形 TYPE	2750P-A1, 4110KPC-A1 式 FORM
--------------------	--------------	-----------------------------

記号 MARK	承認 APPROVED BY
年月日 DATE	承認 APPROVED BY
承認 APPROVED BY	承認 APPROVED BY
変更者 REVISED BY	承認 APPROVED BY
記事 CONTENTS	承認 APPROVED BY
保管 REGISTERED	承認 APPROVED BY

承認 APPROVED BY	承認 APPROVED BY
承認 APPROVED BY	承認 APPROVED BY
承認 APPROVED BY	承認 APPROVED BY
承認 APPROVED BY	承認 APPROVED BY
承認 APPROVED BY	承認 APPROVED BY
承認 APPROVED BY	承認 APPROVED BY

承認 APPROVED BY	承認 APPROVED BY	承認 APPROVED BY
承認 APPROVED BY	承認 APPROVED BY	承認 APPROVED BY
承認 APPROVED BY	承認 APPROVED BY	承認 APPROVED BY
承認 APPROVED BY	承認 APPROVED BY	承認 APPROVED BY
承認 APPROVED BY	承認 APPROVED BY	承認 APPROVED BY
承認 APPROVED BY	承認 APPROVED BY	承認 APPROVED BY

インバータ外形図
 OUTLINE OF INVERTER
 TOSVERT VF-ASI SERIES

TOSHIBA

東芝シュネIDER-インバータ株式会社
 Toshiba Schneider Inverter Corporation

図面番号 DRAWING NO. P6582905

変更記号 REV. MARK

保管 REGISTERED

配布 PRESENT T.