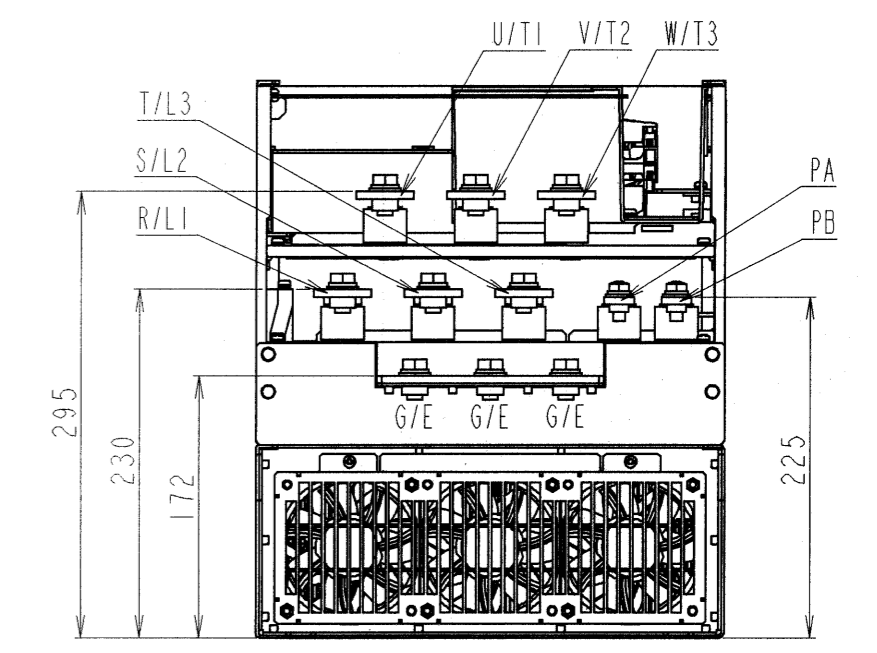
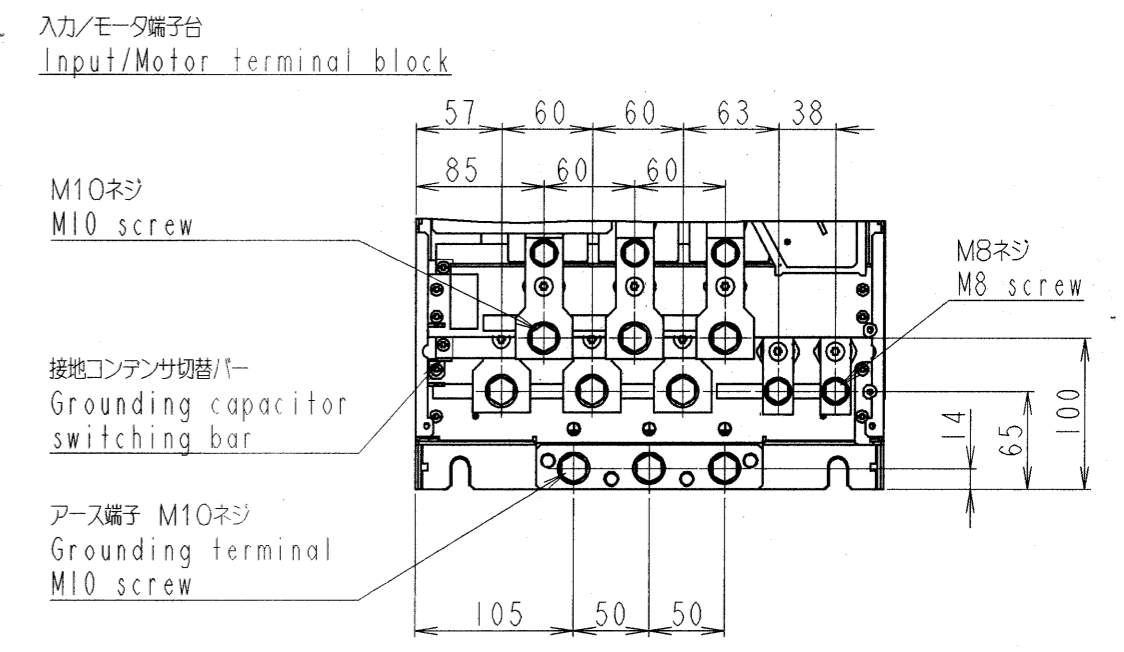
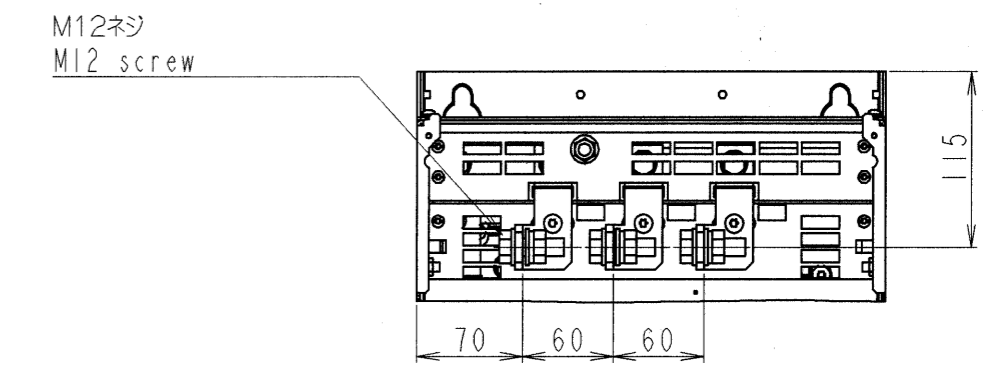
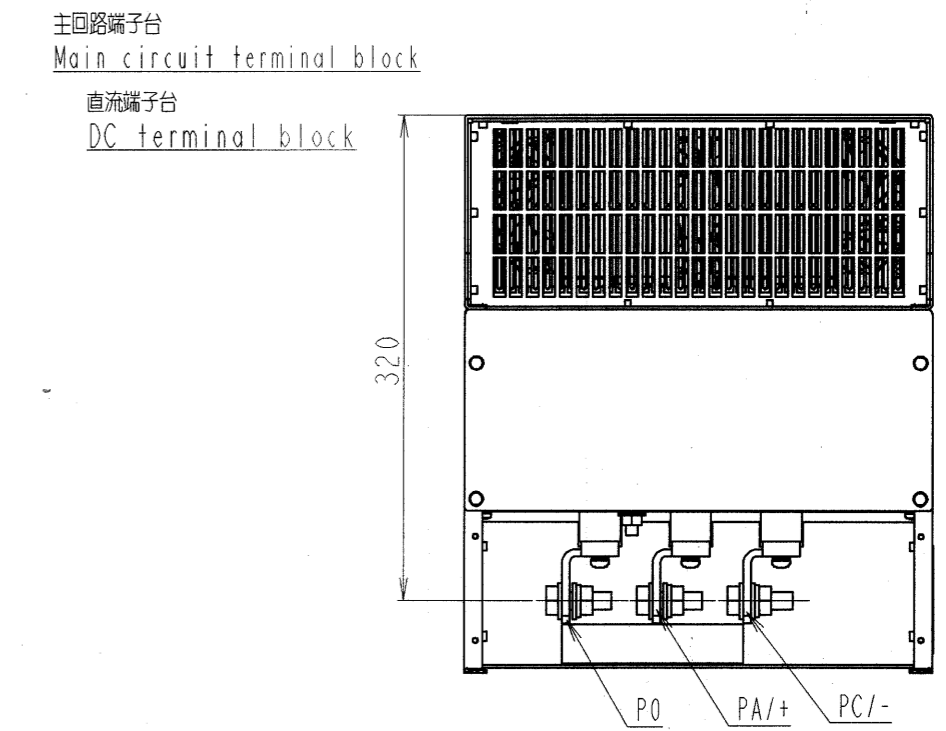
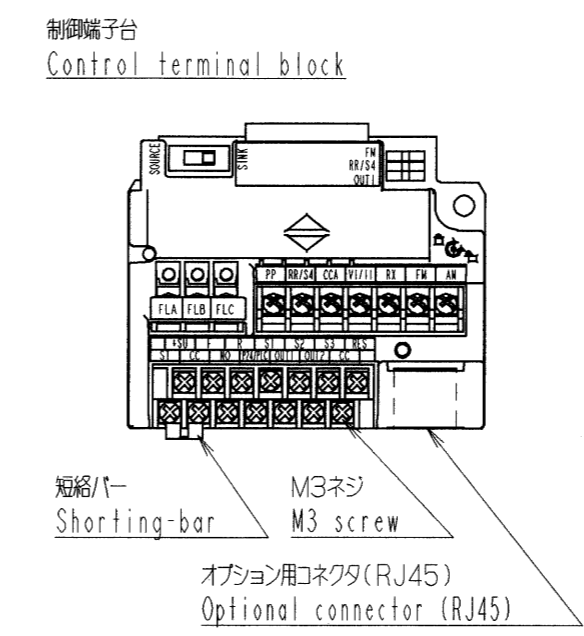
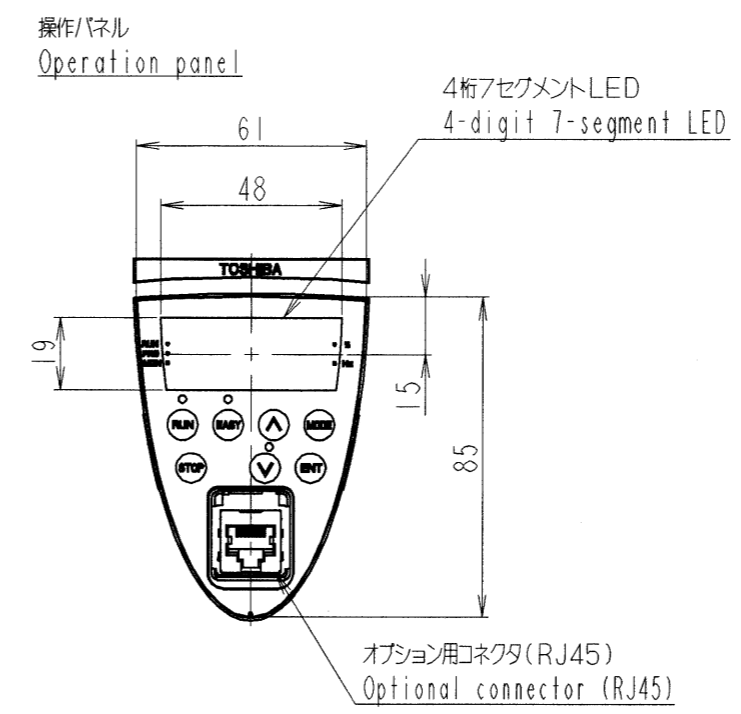
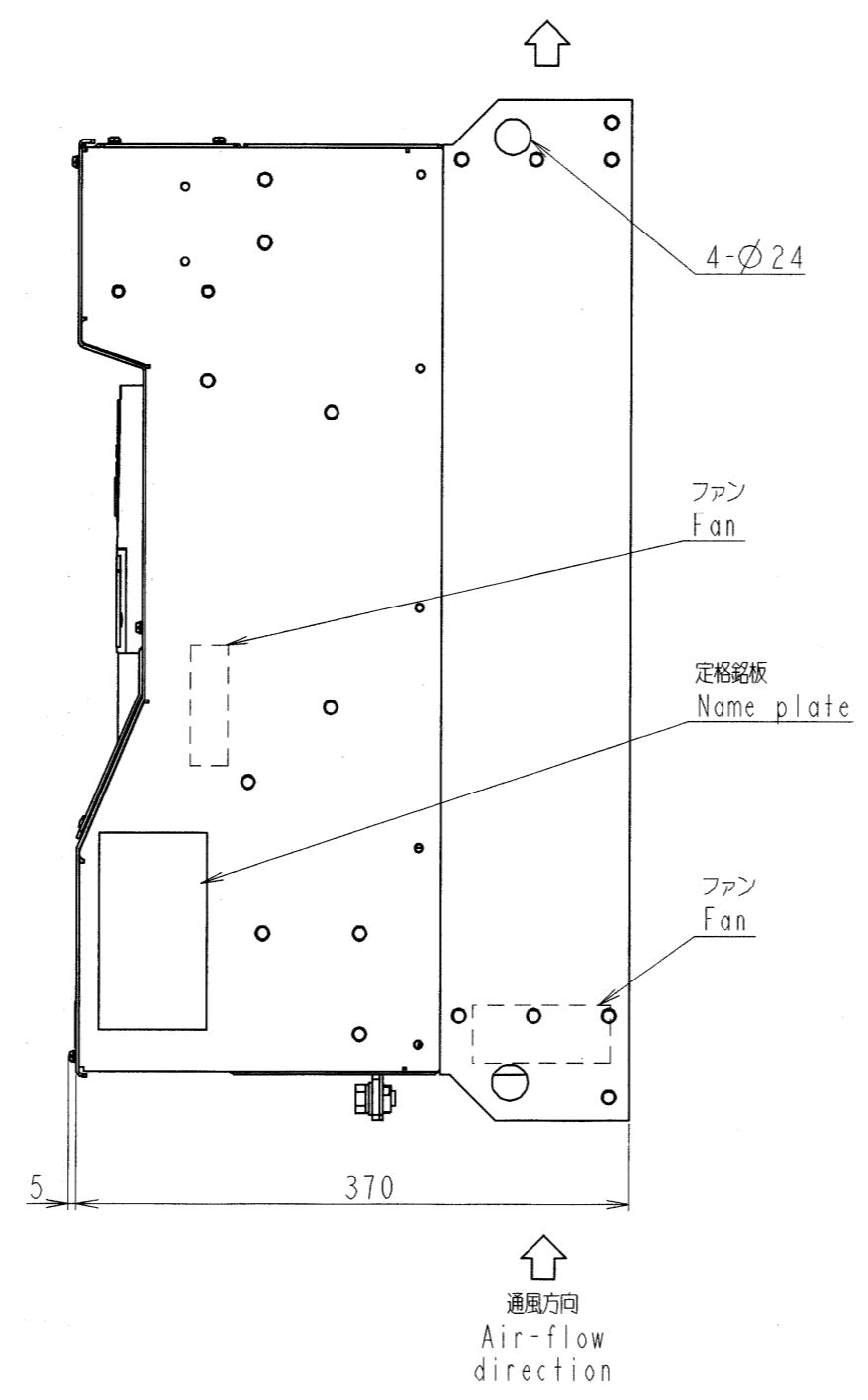
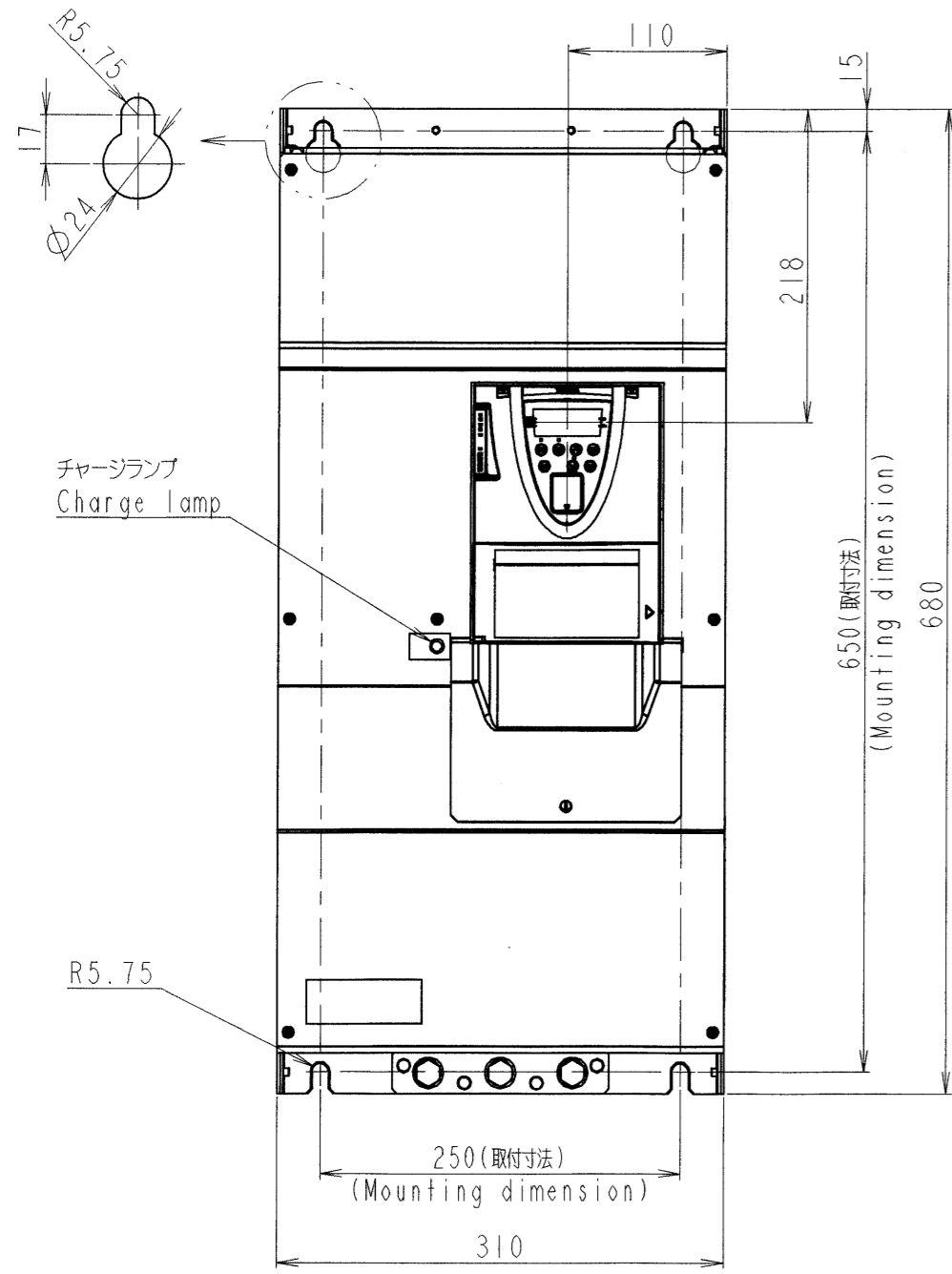
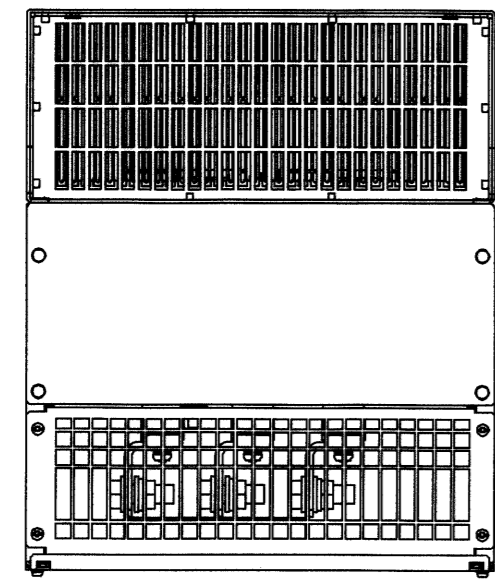


図面番号 DRAWING NO.  
**P6582903**  
 変更記号 REV. MARK



本体色: RAL7016 (Dark grey)  
 JIS表示記号 10B 2.5/1  
 Box color: RAL7016 (Dark grey)  
 JIS 10B 2.5/1

| 形式<br>TYPE-FORM | 概略質量(kg)<br>Approx. mass |
|-----------------|--------------------------|
| VFASI-2550P-A1  | 59                       |
| VFASI-4900PC-A1 | 60                       |

|                   |           |                     |
|-------------------|-----------|---------------------|
| INVERTER          | VFASI     | 2550P-A1, 4900PC-A1 |
| 装置名称<br>APPARATUS | 形<br>TYPE | 式<br>FORM           |

|                |                |
|----------------|----------------|
| 記号 MARK        | 承認 APPROVED BY |
| 年月日 DATE       | 承認 APPROVED BY |
| 承認 APPROVED BY | 承認 APPROVED BY |
| 変更者 REVISED BY | 承認 APPROVED BY |
| 記事 CONTENTS    | 承認 APPROVED BY |
| 保管 REGISTERED  | 承認 APPROVED BY |

|                |                |
|----------------|----------------|
| 承認 APPROVED BY | 承認 APPROVED BY |
| 承認 APPROVED BY | 承認 APPROVED BY |
| 承認 APPROVED BY | 承認 APPROVED BY |
| 承認 APPROVED BY | 承認 APPROVED BY |
| 承認 APPROVED BY | 承認 APPROVED BY |
| 承認 APPROVED BY | 承認 APPROVED BY |

承認 APPROVED BY  
 13. Sep. '05  
 設計 DESIGNED BY  
 13. Sep. '05

検図 CHECKED BY  
 13. Sep. '05  
 製図 DRAWN BY  
 13. Sep. '05

名称 TITLE  
 インバータ外形図  
 OUTLINE OF INVERTER  
 TOSVERT VF-ASI SERIES

**TOSHIBA** 東芝シュネーデル・インバータ株式会社  
 Toshiba Schneider Inverter Corporation

図面番号 DRAWING NO.  
**P6582903**  
 変更記号 REV. MARK

保管 REGISTERED 05. S. 145 M  
 配布先 PRESENT TO