

TA31275M AM/FM Detector IC Module

Highlights

- Radio frequency/intermediate frequency (RF/IF) detector IC
- Delivers industry-leading sensitivity performance
- Can be used as an embedded reference design or as a ready-to-use RF/IF detector
- Clean receive input eliminates the need for extensive filtering
- Embedded Toshiba proprietary x8 circuitry for clean reception eliminates the use of a phase locked loop

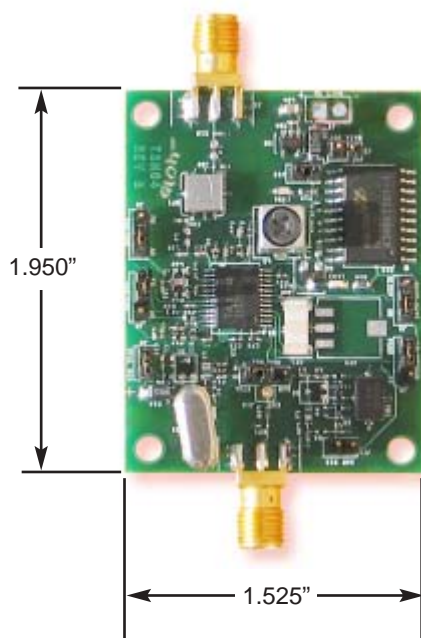
Description

The Toshiba TA31275M module provides product development and end users with a complete solution for 240 ~ 450 MHz AM and FM RF/IF detection. The device is an excellent solution for an RFIC receiver when low cost and optimum sensitivity are the main design criteria for wireless applications like automotive, remote keyless entry and tire pressure monitoring systems.

Features

- Radio frequency using multiplier: 240 ~ 450 MHz
- Radio frequency not using multiplier: 100 ~ 450 MHz
- Intermediate frequency: 10.7 MHz
- Power consumption in FM mode: 6 mA
- Power consumption in AM mode: 5.6 mA
- Power consumption in STB mode: < 10 μ A
- Operating voltage: 4 ~ 12 VDC
- RFIC chip core voltage: 2.4 ~ 5.5 VDC
- Small size: 1.525 inches x 1.95 inches

TA31275M AM/FM Detector IC Module



www.Toshiba.com/taec

TA31275M AM/FM Detector IC Module

TOSHIBA
TOSHIBA AMERICA ELECTRONICS COMPONENTS, INC.

Product Brief

TAEC Regional Sales Offices

NORTHWEST

San Jose, CA

TEL: (408) 526-2400

FAX: (408) 526-8910

Portland, OR

TEL: (503) 446-3721

FAX: (503) 629-0827

SOUTHWEST

Irvine, CA

TEL: (949) 455-2000

FAX: (949) 707-5576

Richardson, TX

TEL: (972) 480-0470

FAX: (972) 235-4114

CENTRAL

Deerfield, IL

TEL: (847) 945-1500

FAX: (847) 945-2902

NORTHEAST

Wakefield, MA

TEL: (781) 224-0074

FAX: (781) 224-1095

Edison, NJ

TEL: (732) 248-8070

FAX: (732) 248-8030

SOUTHEAST

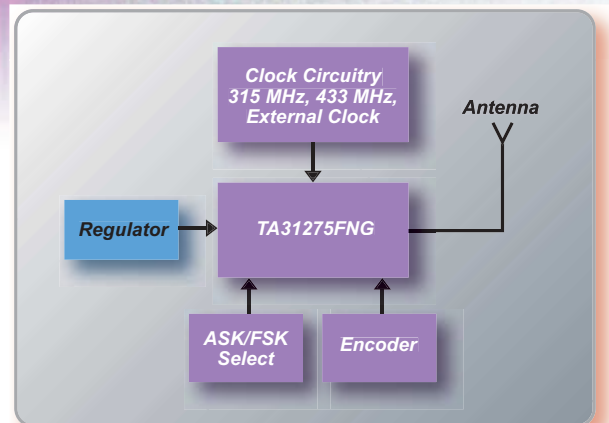
Duluth, GA

TEL: (770) 931-3363

FAX: (770) 931-7602

www.Toshiba.com/taec

TA31275M AM/FM Detector IC Module Block Diagram



* The information contained herein is subject to change without notice.

* The information contained herein is presented only as a guide for the applications of our products. No responsibility is assumed by TOSHIBA for any infringements of patents or other rights of the third parties which may result from its use. No license is granted by implication or otherwise under any patent or patent rights of TOSHIBA or others.

* TOSHIBA is continually working to improve the quality and reliability of its products. Nevertheless, semiconductor devices in general can malfunction or fail due to their inherent electrical sensitivity and vulnerability to physical stress. It is the responsibility of the buyer, when utilizing TOSHIBA products, to comply with the standards of safety in making a safe design for the entire system, and to avoid situation in which a malfunction or failure of such TOSHIBA products could cause loss of human life, bodily injury or damage to property. In developing your designs, please ensure that TOSHIBA products are used within specified operating ranges as set forth in the most recent TOSHIBA products specifications. Also, please keep in mind the precautions and conditions set forth in the "Handling Guide for Semiconductor Devices," or "TOSHIBA Semiconductor Reliability Handbook" etc.

* The Toshiba products listed in this document are intended for usage in general electronics applications (computer, personal equipment, office equipment, measuring equipment, industrial robotics, domestic appliances, etc.). These Toshiba products are neither intended nor warranted for usage in equipment that requires extraordinarily high quality and/or reliability or a malfunction or failure of which may cause loss of human life or bodily injury ("Unintended Usage"). Unintended Usage include atomic energy control instruments, airplane or spaceship instruments, transportation instruments, traffic signal instruments, combustion control instruments, medical instruments, all types of safety devices, etc. Unintended Usage of Toshiba products listed in this document shall be made at the customer's own risk.

* The products described in this document may include products subject to foreign exchange and foreign trade laws.

* The products contained herein may also be controlled under the U.S. Export Administration Regulations and/or subject to the approval of the U.S. Department of Commerce or U.S. Department of State prior to export. Any export or re-export, directly or indirectly in contravention of any of the applicable export laws and regulations, is hereby prohibited.

TOSHIBA

TOSHIBA AMERICA ELECTRONICS COMPONENTS, INC.

TA31275M AM/FM Detector IC Module