

TA32305FN/FNG Transceiver IC

Highlights

- Short, wireless data communication Transceiver IC for 240 MHz to 450 MHz applications
- Applications include Remote Keyless Entry, Tire Pressure Monitoring Systems, Security Systems, Monitoring Systems, Telemetry and Radio Frequency ID

Description

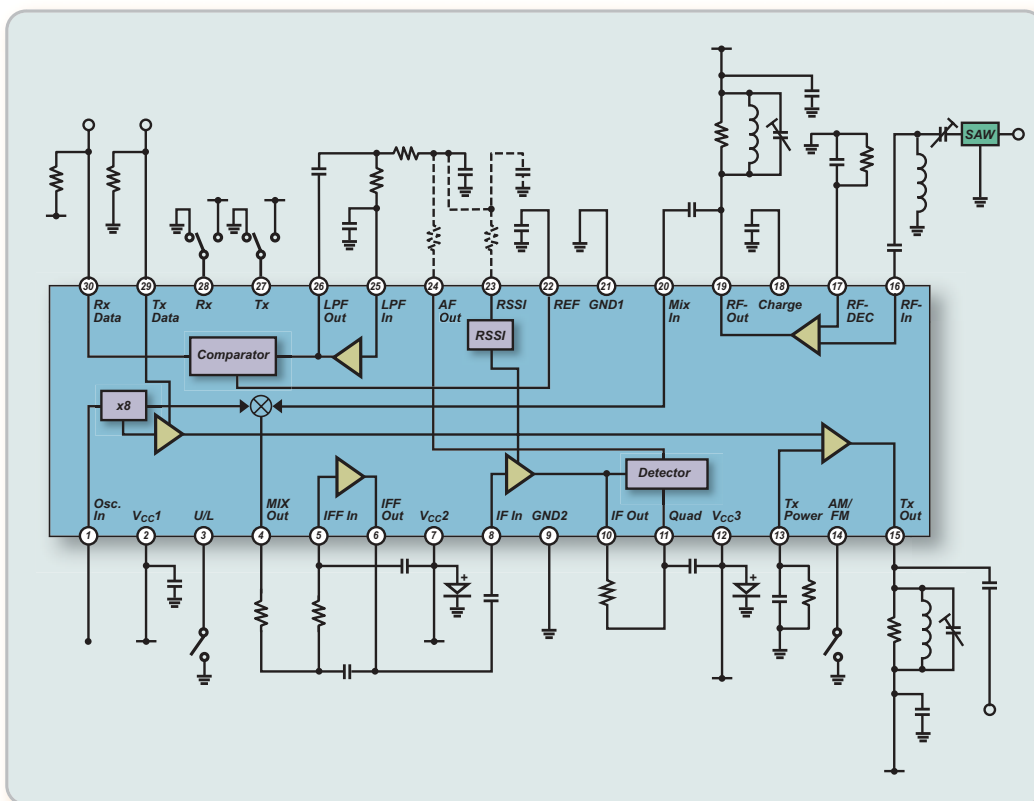
The TA32305FN/FNG is a single-chip IC Transceiver for AM/FM radio. The IC incorporates an RF amp, 2-level comparator and local x8 circuit.

Features

- High sensitivity: -120 dBm
- RF frequency: 240 to 450 MHz (multiplication is used)
- 100 to 450 MHz (multiplication is not used)

- Current dissipation at BS: 0 μ A (typ.)
- FM and AM comparator incorporated
- RF amplifier incorporated
- Built-in local x8 multiple circuit —Toshiba patented circuit for low-current consumption
- MIX operating frequency: 240 to 450 MHz
- Current consumption: TX 4.3 mA/RX 5.6 mA (FM), 5.3 mA (AM)
- Operating power supply: 2.2V to 5.5V
- IF frequency: 80 KHz
- Package: SSOP30

Block Diagram



Product Brief

TAEC Regional Sales Offices

NORTHWEST

San Jose, CA

TEL: (408) 526-2400

FAX: (408) 526-2410

Portland, OR

TEL: (503) 784-8879

FAX: (503) 466-9729

SOUTHWEST

Irvine, CA

TEL: (949) 623-2900

FAX: (949) 474-1330

Richardson, TX

TEL: (972) 480-0470

FAX: (972) 235-4114

CENTRAL

Buffalo Grove, IL

TEL: (847) 484-2400

FAX: (847) 541-7287

NORTHEAST

Marlboro, MA

TEL: (508) 481-0034

FAX: (508) 481-8828

Parsippany, NJ

TEL: (973) 541-4715

FAX: (973) 541-4716

SOUTHEAST

Duluth, GA

TEL: (770) 931-3363

FAX: (770) 931-7602

www.Toshiba.com/taec

* The information contained herein is subject to change without notice.

* The information contained herein is presented only as a guide for the applications of our products. No responsibility is assumed by TOSHIBA for any infringements of patents or other rights of the third parties which may result from its use. No license is granted by implication or otherwise under any patent or patent rights of TOSHIBA or others.

* TOSHIBA is continually working to improve the quality and reliability of its products. Nevertheless, semiconductor devices in general can malfunction or fail due to their inherent electrical sensitivity and vulnerability to physical stress. It is the responsibility of the buyer, when utilizing TOSHIBA products, to comply with the standards of safety in making a safe design for the entire system, and to avoid situation in which a malfunction or failure of such TOSHIBA products could cause loss of human life, bodily injury or damage to property. In developing your designs, please ensure that TOSHIBA products are used within specified operating ranges as set forth in the most recent TOSHIBA products specifications. Also, please keep in mind the precautions and conditions set forth in the "Handling Guide for Semiconductor Devices," or "TOSHIBA Semiconductor Reliability Handbook" etc.

* The Toshiba products listed in this document are intended for usage in general electronics applications (computer, personal equipment, office equipment, measuring equipment, industrial robotics, domestic appliances, etc.). These Toshiba products are neither intended nor warranted for usage in equipment that requires extraordinarily high quality and/or reliability or a malfunction or failure of which may cause loss of human life or bodily injury ("Unintended Usage"). Unintended Usage include atomic energy control instruments, airplane or spaceship instruments, transportation instruments, traffic signal instruments, combustion control instruments, medical instruments, all types of safety devices, etc. Unintended Usage of Toshiba products listed in this document shall be made at the customer's own risk.

* The products described in this document may include products subject to foreign exchange and foreign trade laws.

* The products contained herein may also be controlled under the U.S. Export Administration Regulations and/or subject to the approval of the U.S. Department of Commerce or U.S. Department of State prior to export. Any export or re-export, directly or indirectly in contravention of any of the applicable export laws and regulations, is hereby prohibited.

TOSHIBA

TA32305FN/FNG Transceiver IC