

# 24V4210U

## LED Combo HDTV

**TOSHIBA**  
Leading Innovation >>>

**WATCH  
MAGNIFICENT  
MOVIES, MINUS  
THE CLUTTER**



### **Built-In Slot-Loading DVD Player**

Convenient and clutter free. Instead of connecting a separate DVD player and HDMI® cable, simply insert a DVD into the TV<sup>2</sup> and watch your movie.

### **LED that Fits Anywhere**

Small LED Combo fits easily on your kitchen counter, in your office or in a child's bedroom.

### **1080p Full HD for Sharper Images**

Step up to 1080p Full HD<sup>3</sup> with more pixel resolution than standard HD for incredible image clarity to TV and your PC.

### **New Dynamic Picture Mode**

Creates pictures that seem to pop off the screen. The new Dynamic Mode enhances color, sharpness, brightness and contrast to provide incredible picture quality.

### **New Audyssey® Audio Technology**

Audyssey Premium Television is a suite of advanced audio technologies that helps produce clear, rich and natural sound. For the V4210 series the suite includes:

- Audyssey EQ®
- Audyssey ABX™ (Bass Extension)
- Audyssey Dynamic Volume®

### **Multiple HD Inputs**

Full connectivity with two HDMI<sup>®4</sup> HD Inputs and an HD PC Input, so the TV can also be used as a PC monitor. (Great for PC gaming!)

**1080P FULL HD**

Top HD picture quality with 1080p Full HD<sup>3</sup> resolution.



Built-in DVD player<sup>2</sup> for watching magnificent movies, minus the clutter.

**DYNALIGHT™**

Dynamic backlight control for deeper blacks and more detail.

**HDMI® X2**

Easily connect to high-definition video and amazingly immersive surround sound in one cable.

**PC HIGH DEFINITION INPUT**

Easily connect your PC to your TV for the big screen experience.

**USB MEDIA**

Easily connect to your favorite tunes and photos, create slideshows, or listen to your personal playlists with this feature.

# 24V4210U

## SPECIFICATIONS\*

**TOSHIBA**  
Leading Innovation >>>

### Screen Size: 24"

- Diagonal Screen Size: 23.6"

### Panel

- Panel Type: LED
- Resolution: 1080P Full HD<sup>3</sup>
- Refresh Rate: 60Hz
- Backlight Control: DynaLight®

### Video Chassis

- Dynamic Picture Mode
- Native Mode™
- Game Mode

### Convenience

- Built-in DVD Player<sup>2</sup>
- Standard Remote Control

### Audio

- Audyssey Premium Television™
  - Audyssey EQ®
  - Audyssey ABX™
  - Audyssey Dynamic Volume®
- Speaker Output: 10W

### Connectivity

- HDMI® with CEC<sup>4</sup>: 2
- USB Media: 1
- High Definition PC Input: 1
- 3.5mm PC Audio Out: 1
- Digital Audio Out: 1
- ColorStream® Component Video: 1
- Composite: 1

### Product and Packaging

- VESA Mounting Pattern<sup>5</sup>: 100mm x 100mm
- Limited Warranty: 1 Year Parts & Labor
- Power Consumption (On): 28.5W
- Power Consumption (Stand-by): 0.12W

### Product Dimensions & Weights

- With Stand
  - Dimensions: 22.94"x16.17"x9.18"
  - Weight: 13.22 lbs.
- Without Stand
  - Dimensions: 22.94"x14.62"x2.56"
  - Weight: 11.7 lbs.
- Packaging
  - Dimensions: 25.66"x17.99"x5.19"
  - Weight: 18.7 lbs.
- ENERGY STAR® 5.3 Compliant

### Box Contents:

- Remote Control (CT-8021)
- Batteries (AA x 2)
- Resource Guide
- Quick Start Guide
- Warranty

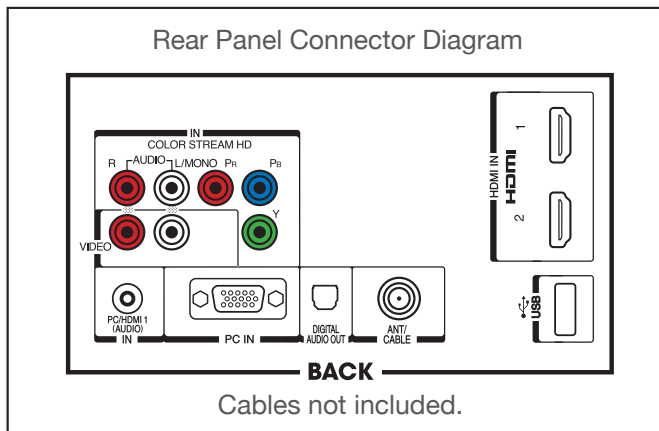
UPC Code: 022265056608

Country of Origin: China

Remote Control  
(CT-8021)



Rear Panel Connector Diagram



1. While every effort has been made at the time of publication to ensure the accuracy of the information provided herein, product specifications, configurations, system/component/options availability are subject to change without notice. 2. This product is not made or sold for unauthorized use of copyrighted works, and it is only intended for recording and playback of authorized content and any other lawful use. 3. 1080p/24 fps encoded content and an HD display capable of accepting a 1080p/24Hz signal required for viewing 1080p/24 fps content. 4. Use of HDMI® w/ CEC requires an HDMI® w/ CEC compatible display/peripheral device. Depending on the specifications of your device, some or all HDMI® w/ CEC functions may not work even if your display/peripheral device is HDMI® w/ CEC compatible. 5. If you decide to wall mount your Toshiba television, always use a UL Listed wall bracket appropriate for the size and weight of the television. Care should be taken to place or install the display where it cannot be pushed, pulled over, or knocked down.

© 2012 Toshiba America Information Systems, Inc. ColorStream, DynaLight and Native Mode are registered trademarks or trademarks of Toshiba America Information Systems, Inc. and/or Toshiba Corporation. All other trademarks are the property of their respective owners. All rights reserved.