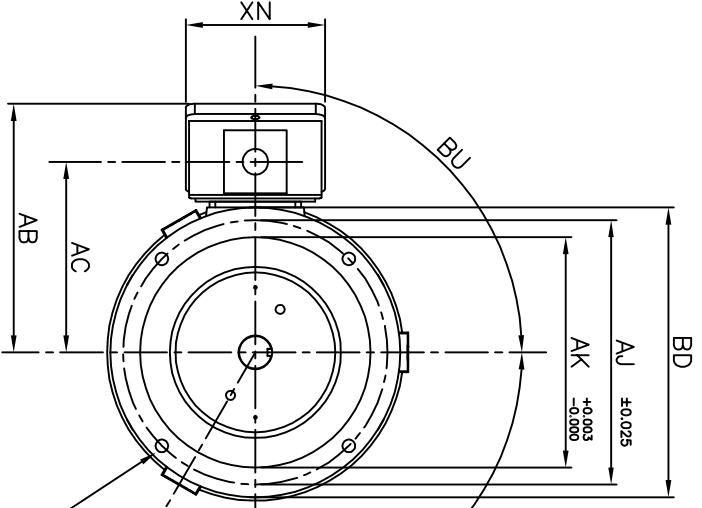
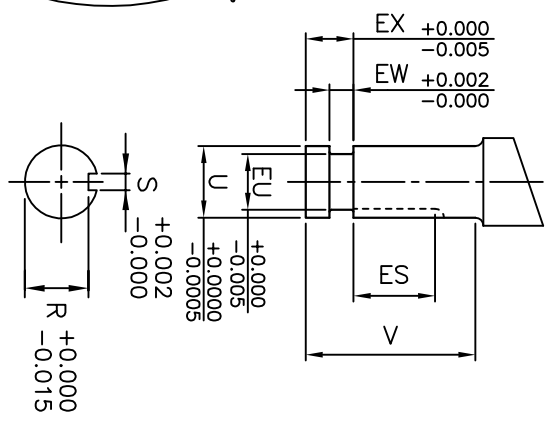


NOTE:
LIFTING EXEBOLTS
(2) 180° APART
FOR MOTOR
LIFTING ONLY



BF x 4 HOLES



UNITS: INCHES

| FRAME SIZE | MOTOR DIMENSIONS | | | | P-FLANGE DIMENSIONS | | | | CONDUIT BOX DIMENSIONS | | | | | | | | | |
|--------------|------------------|------|------|----|---------------------|------|------|------|------------------------|-----|------|-------|------|-----|-----|-----|-----|-----|
| | AG | C | P | OX | BU | BB | BE | BF | BD | BV | AK | AJ | AI | AB | AC | AF | XL | XN |
| 180HP10/LP10 | 21.2 | 23.9 | 10.3 | - | 90° | 0.25 | 0.71 | 0.44 | 10.0 | 7.3 | 8.25 | 9.125 | 0.75 | 8.6 | 6.6 | 3.2 | 6.1 | 4.9 |

| FRAME SIZE | SHAFT EXTENSION DIMENSIONS | | | | | | | | BEARINGS | | MAXIMUM WEIGHT |
|------------|----------------------------|-------|-------|------|-------|------|------|-------|----------|--------|----------------|
| | AH | EU | U | V | R | S | ES | EW | EX | LS | |
| 180HP10 | 2.75 | 0.875 | 1.125 | 2.75 | 0.986 | 0.25 | 1.28 | 0.375 | 0.75 | 6306C3 | 6306C3 |
| 180LP10 | 2.75 | 0.875 | 1.125 | 2.75 | 0.986 | 0.25 | 1.28 | 0.375 | 0.75 | 6306C3 | 7306BEGAM x 2 |

TAG NO's:

CUSTOMER: _____ MOTOR MODEL NO.: _____
 P.O. NO.: _____ HP: _____ VOLTAGE: _____ RPM(SYN.): _____ Hz: _____
 FRAME SIZE: _____ PRODUCT TYPE: VERTICAL SOLID SHAFT ROUND BODY P-FLANGE
 COMMENTS: _____
 PER: _____ DATE: _____

- NOTES:
1. DIMENSION V REPRESENTS LENGTH OF STRAIGHT PART OF SHAFT
 2. MAIN CONDUIT BOX MAY BE ROTATED IN 90° INCREMENTS
 3. KEY DIMENSIONS EQUAL S x S x ES (MOTOR SUPPLIED WITH KEY)
 4. MOTOR WEIGHT SHOWN IS MAXIMUM HORSEPOWER IN FRAME
 5. STANDARD PRODUCT USE BI-DIRECTIONAL FAN. OPPOSITE ROTATION AVAILABLE ONLY BY CONNECTION CHANGE

STANDARD (NO AUX. BOXES)
 RTD AUX. BOX
 SPACE HEATER AUX. BOX
 BEARING RTD's

TOSHIBA RESERVES THE RIGHT TO MAKE CHANGES OF TECHNICAL IMPROVEMENT AND THE DATA MAY CHANGE WITHOUT NOTICE PRELIMINARY
 DO NOT USE FOR CONSTRUCTION, INSTALLATION, OR APPLICATION PURPOSES UNLESS THE DRAWING IS MARKED AS CERTIFIED CERTIFIED

TOSHIBA
 TOSHIBA INTERNATIONAL CORPORATION
 TOTALLY-ENCLOSED FAN-COOLED
 VERTICAL SOLID SHAFT ROUND BODY P-FLANGE
 3 PHASE INDUCTION MOTOR
 F1 ASSEMBLY

XT SERIES
 VISIT OUR WEBSITE AT:
 www.toshiba.com/ind

TYPICAL MOTOR PERFORMANCE DATA

Model: 0034FTVB3PW-A

| HP | kW | Pole | FL RPM | Frame | Voltage | Hz | Phase | FL Amps |
|-----------|-----|------------|--------|---------|----------------|-------------|----------|--------------|
| 3 | 2.2 | 4 | 1755 | 180HP10 | 460 | 60 | 3 | 3.8 |
| Enclosure | IP | Ins. Class | S.F. | Duty | NEMA Nom. Eff. | NEMA Design | kVA Code | Ambient (°C) |
| TEFC | 54 | F | 1.15 | CONT | 89.5 | A | | 40 C |

| Load | HP | kW | Amperes | Efficiency (%) | Power Factor (%) |
|--------------|------|-----|---------|----------------|------------------|
| Full Load | 3.00 | 2.2 | 3.8 | 89.5 | 84.2 |
| ¾ Load | 2.25 | 1.7 | 3.0 | 89.7 | 79.0 |
| ½ Load | 1.50 | 1.1 | 2.3 | 88.6 | 68.2 |
| ¼ Load | 0.75 | 0.6 | 1.9 | 77.5 | 47.2 |
| No Load | | | 1.6 | | 9.3 |
| Locked Rotor | | | 35 | | 52.5 |

| Torque | | | | Rotor wk ² Inertia (lb-ft ²) |
|----------------------|-------------------------|--------------------|-----------------------|---|
| Full Load (lb-ft) | Locked Rotor (% FLT) | Pull Up (% FLT) | Break Down (% FLT) | |
| 8.98 | 290 | 335 | 375 | 0.42 |

| Safe Stall Time(s) | | Sound Pressure dB(A) @ 1M | Bearings* | | Approx. Motor Weight (lbs) |
|--------------------|-----|------------------------------|-----------|--------|-------------------------------|
| Cold | Hot | | DE | NDE | |
| 26 | 20 | - | 6306C3 | 6306C3 | 125 |

*Bearings are the only recommended spare part(s).

Motor Options:
Product Family:EQPIII Vertical Normal Thrust
Mounting:10 P-Base (180-280 Frame),Shaft:HP Solid Shaft Normal Thrust

| | |
|-------------|--|
| Customer | |
| Customer PO | |
| Sales Order | |
| Project # | |

Tag:

All characteristics are average expected values.

TOSHIBA INTERNATIONAL CORPORATION · HOUSTON, TEXAS U.S.A.

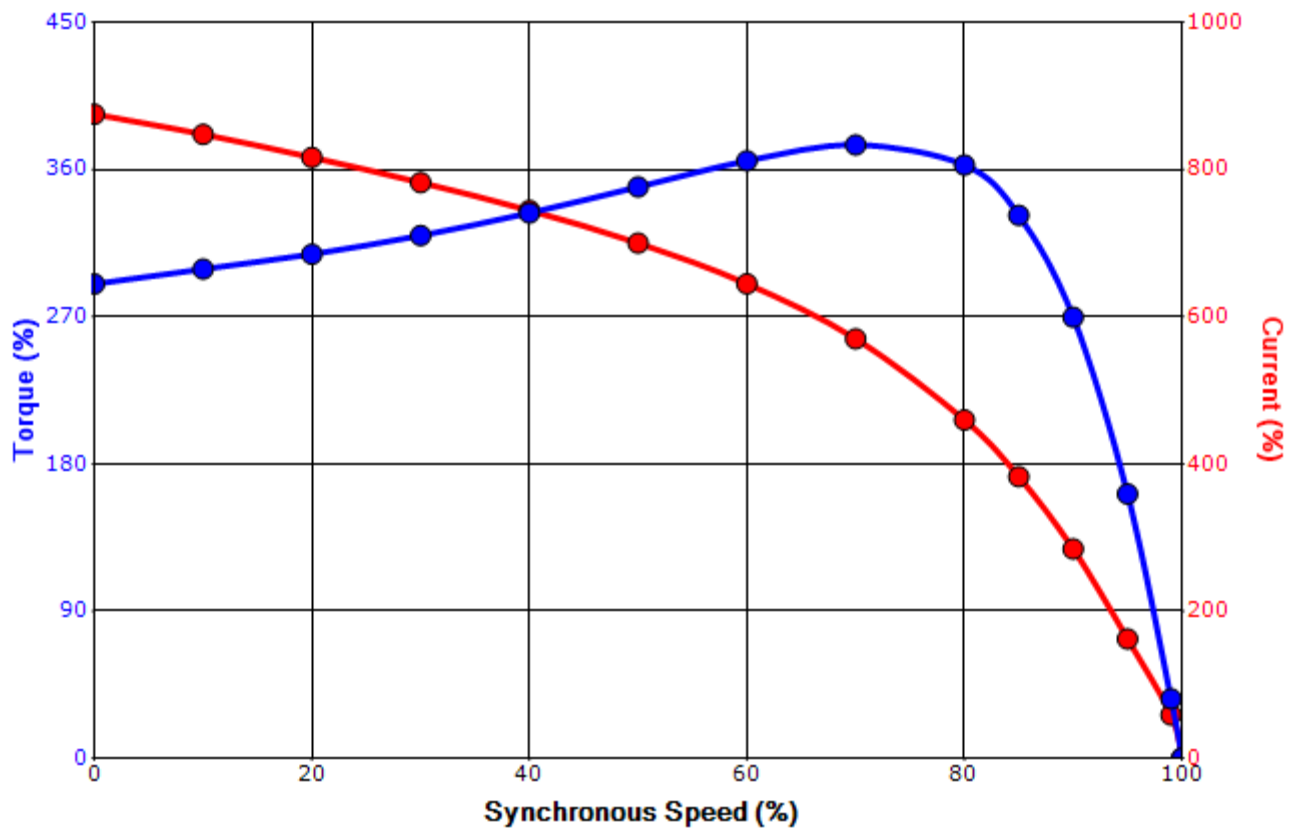
| | | | | | |
|-------------|-----------|------------------|-------------|-------------|---------------|
| Engineering | gminetos | Doc. Written By | D. Suarez | Doc.# / Rev | MPCF-1119 / 0 |
| Engr. Date | 7/23/2013 | Doc. Approved By | M. Campbell | Doc. Issued | 6/8/2011 |

SPEED TORQUE/CURRENT CURVE

Model: 0034FTVB3PW-A

| | | | | | | | | |
|-------------------|---|-------------------|------------------|-------------|----------------|-------------|----------|--------------|
| HP | kW | Pole | FL RPM | Frame | Voltage | Hz | Phase | FL Amps |
| 3 | 2.2 | 4 | 1755 | 180HP10 | 460 | 60 | 3 | 3.8 |
| Enclosure | IP | Ins. Class | S.F. | Duty | NEMA Nom. Eff. | NEMA Design | kVA Code | Ambient (°C) |
| TEFC | 54 | F | 1.15 | CONT | 89.5 | A | | 40 C |
| Locked Rotor Amps | Rotor wk ² Inertia (lb-ft ²) | Torque | | | | | | |
| | | Full Load (lb-ft) | Locked Rotor (%) | Pull Up (%) | Break Down (%) | | | |
| 35 | 0.42 | 8.98 | 290 | 335 | 375 | | | |

Design Values



| | | | |
|-------------|--|--|-----|
| Customer | | wk ² Load Inertia (lb-ft ²) | - |
| Customer PO | | Load Type | - |
| Sales Order | | Voltage (%) | 100 |
| Project # | | Accel. Time | - |

Tag:

All characteristics are average expected values.

TOSHIBA INTERNATIONAL CORPORATION · HOUSTON, TEXAS U.S.A.

| | | | | | |
|-------------|-----------|------------------|-------------|-------------|---------------|
| Engineering | gminetos | Doc. Written By | D. Suarez | Doc.# / Rev | MPCF-1121 / 0 |
| Engr. Date | 7/23/2013 | Doc. Approved By | M. Campbell | Doc. Issued | 6/8/2011 |

Motor Connection Diagram

3 Leads - Wye Connection

Single Voltage



Switch L1 and L2 to reverse rotation

Each lead may consist of more than one cable.
If multiple cables represent a single lead, each one of them will be labeled with the appropriate lead number.