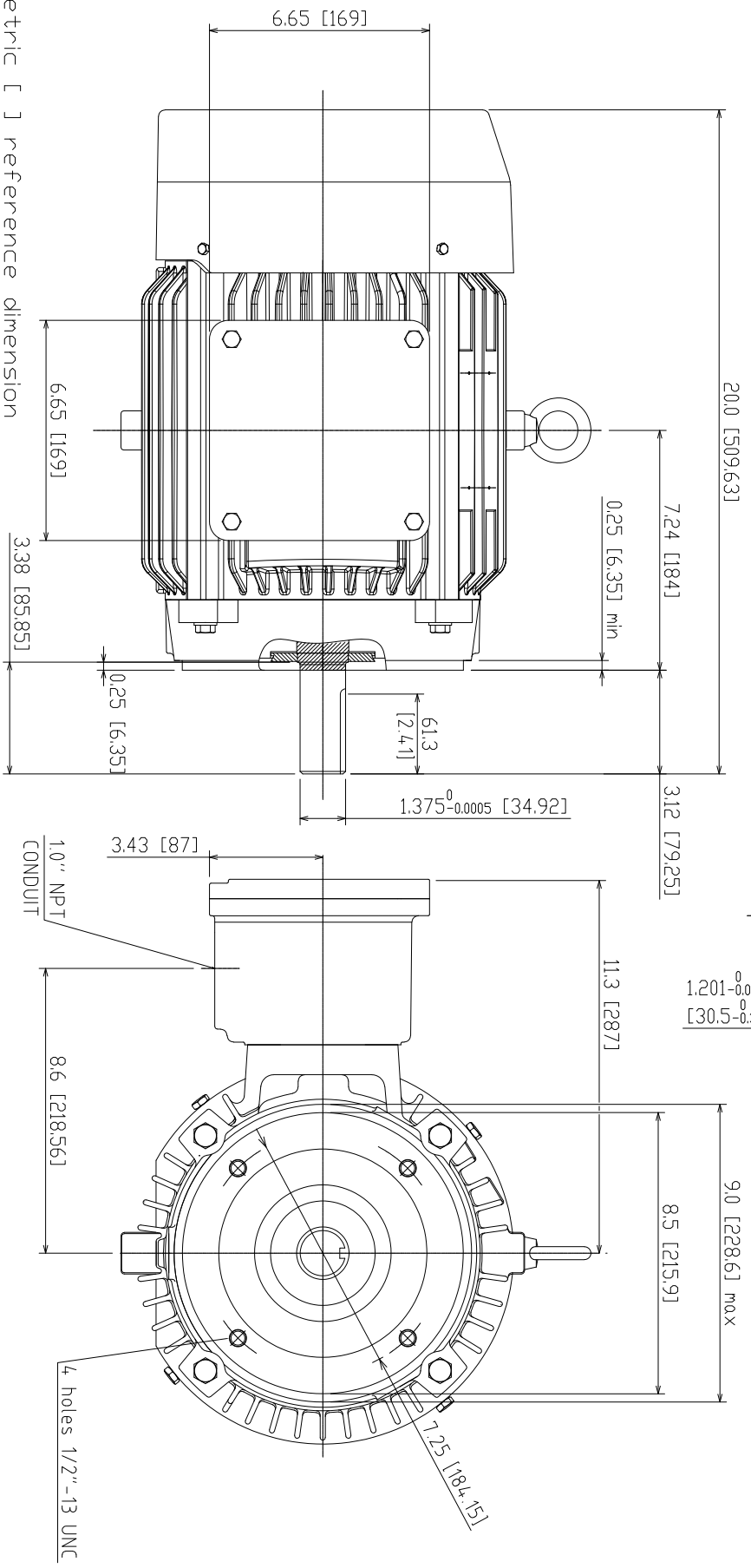
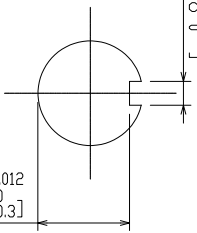


0.3125<sup>+0.002</sup><sub>0</sub> [7.938<sup>+0.05</sup><sub>0</sub>]



UNITS: INCHES  
 ROTATION FROM NDE  
 CCW  CW

Unit: Metric [ ] reference dimension

NOTES:  
 1. MAIN CONDUIT BOX MAY BE ROTATED IN 90° INCREMENTS  
 2. STANDARD PRODUCT USES BI-DIRECTIONAL FAN. OPPOSITE ROTATION AVAILABLE ONLY BY CONNECTION CHANGE.  
 3. KEY DIMENSIONS EQUAL 0.3125X0.3125X2.38" (MOTOR SUPPLIED WITH KEY)

TOSHIBA RESERVES THE RIGHT TO MAKE CHANGES OF TECHNICAL IMPROVEMENT AND THE DATA MAY CHANGE WITHOUT NOTICE  PRELIMINARY

DO NOT USE FOR CONSTRUCTION, INSTALLATION, OR APPLICATION PURPOSES UNLESS THE DRAWING IS MARKED AS CERTIFIED  CERTIFIED

**TOSHIBA**  
 www.toshiba.com/tic  
**EQP Global**  
 XT SERIES  
**TOSHIBA INTERNATIONAL CORPORATION**

TOTALLY ENCLOSED FAN COOLED  
 ROUND BODY C-FACED  
 3 PHASE INDUCTION MOTOR  
 213TC/215TC F1 ASSEMBLY

DRAWING #: MDSL V800-09  
 REV. DATE: 05/22/19 REV. #: 00 PER.: L.LIAN  
 REV. DESCRIP.: FIRST ISSUE

**TYPICAL MOTOR PERFORMANCE DATA**

Model: 0104XPEA44A-P

HP	kW	Pole	FL RPM	Frame	Voltage	Hz	Phase	FL Amps
10	7.5	4	1760	215TC	230/460	60	3	25.6/12.8
Enclosure	IP	Ins. Class	S.F.	Duty	NEMA Nom. Eff.	NEMA Design	kVA Code	Ambient (°C)
TEFC	56	F	1.15	CONT	91.7	B		40 C

Load	HP	kW	Amperes	Efficiency (%)	Power Factor (%)
Full Load	10.00	7.5	12.8	91.6	80.2
¾ Load	7.50	5.6	10.1	91.0	76.2
½ Load	5.00	3.7	7.8	88.9	67.1
¼ Load	2.50	1.9	6.1	81.7	46.3
No Load			5.7		6.0
Locked Rotor			81		42.1

Torque				Rotor wk <sup>2</sup> Inertia (lb-ft <sup>2</sup> )
Full Load (lb-ft)	Locked Rotor (% FLT)	Pull Up (% FLT)	Break Down (% FLT)	
29.8	260	225	330	1.34

Safe Stall Time(s)		Sound Pressure dB(A) @ 1M	Bearings*		Approx. Motor Weight (lbs)
Cold	Hot		DE	NDE	
35	15	-	6308UU	6308UU	

\*Bearings are the only recommended spare part(s).

**Motor Options:**  
Product Family:EQP Global Explosion Proof  
Mounting:C-Face Round,Shaft:T Shaft

Customer	
Customer PO	
Sales Order	
Project #	

Tag:

All characteristics are average expected values.

**TOSHIBA INTERNATIONAL CORPORATION · HOUSTON, TEXAS U.S.A.**

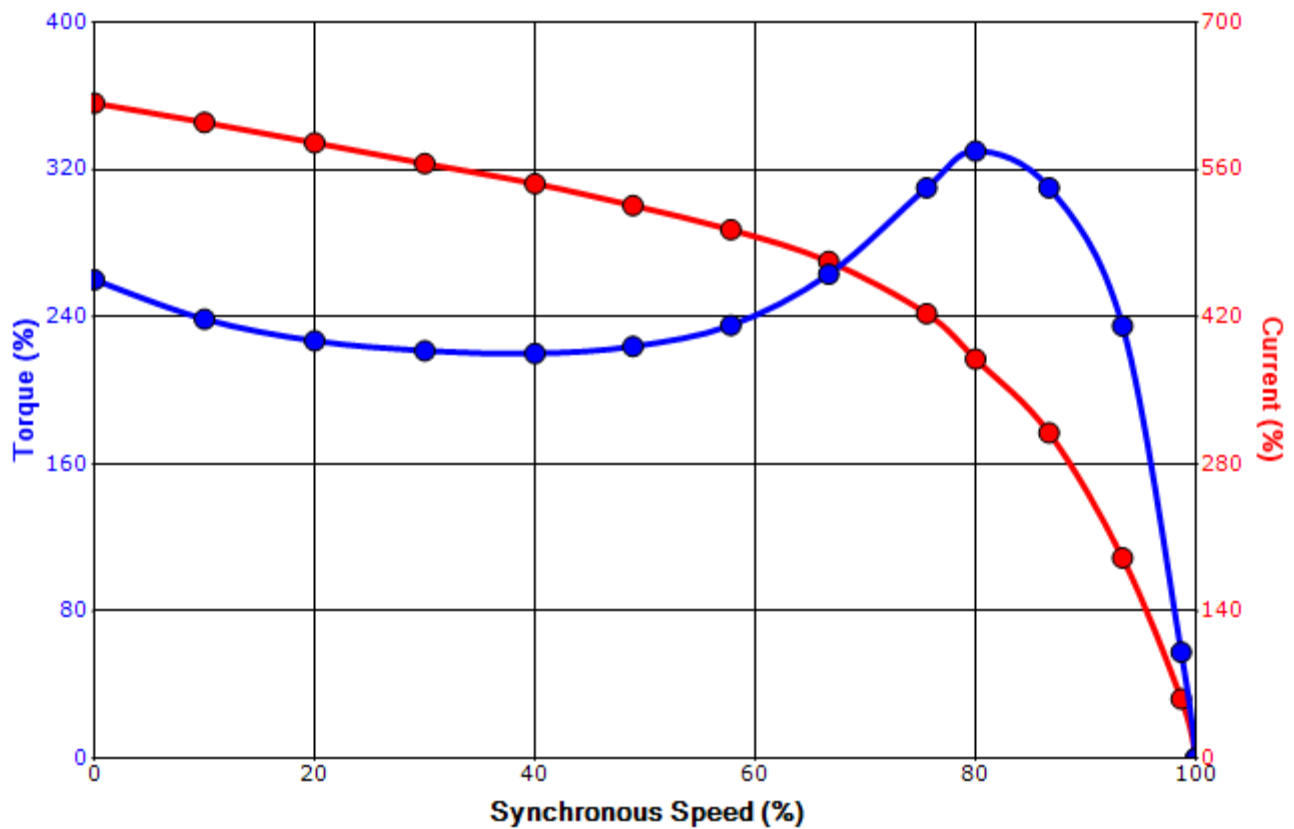
Engineering	bmmamen	Doc. Written By	D. Suarez	Doc.# / Rev	MPCF-1119 / 0
Engr. Date	8/22/2019	Doc. Approved By	M. Campbell	Doc. Issued	6/8/2011

**SPEED TORQUE/CURRENT CURVE**

Model: 0104XPEA44A-P

HP	kW	Pole	FL RPM	Frame	Voltage	Hz	Phase	FL Amps
10	7.5	4	1760	215TC	230/460	60	3	25.6/12.8
Enclosure	IP	Ins. Class	S.F.	Duty	NEMA Nom. Eff.	NEMA Design	kVA Code	Ambient (°C)
TEFC	56	F	1.15	CONT	91.7	B		40 C
Locked Rotor Amps	Rotor wk <sup>2</sup> Inertia (lb-ft <sup>2</sup> )	Torque						
		Full Load (lb-ft)	Locked Rotor (%)	Pull Up (%)	Break Down (%)			
81	1.34	29.8	260	225	330			

**Design Values**



Customer		wk <sup>2</sup> Load Inertia (lb-ft <sup>2</sup> )	-
Customer PO		Load Type	-
Sales Order		Voltage (%)	100
Project #		Accel. Time	-

Tag:

All characteristics are average expected values.

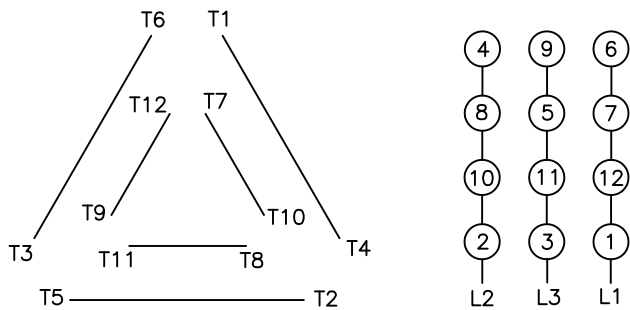
**TOSHIBA INTERNATIONAL CORPORATION · HOUSTON, TEXAS U.S.A.**

Engineering	bmammen	Doc. Written By	D. Suarez	Doc.# / Rev	MPCF-1121 / 0
Engr. Date	8/22/2019	Doc. Approved By	M. Campbell	Doc. Issued	6/8/2011

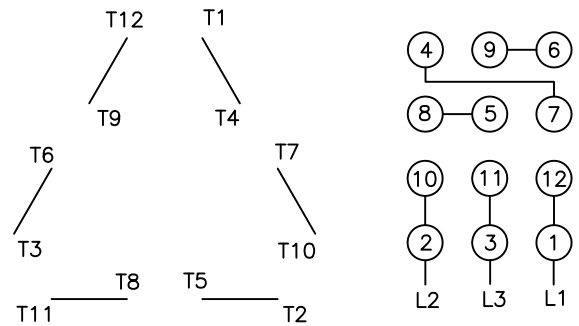
**Motor Connection Diagrams**  
12 Leads

Across-the-Line Starting / Running Connections

Low Voltage Delta



High Voltage Delta



Switch L1 and L2 to reverse rotation

Suitable for Wye-Delta Starting and Limited Part-Winding-Starting.  
Please Contact Toshiba International for specific connections.