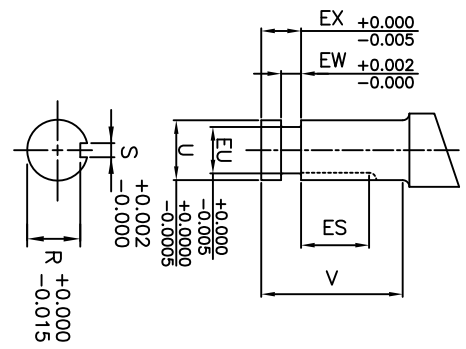
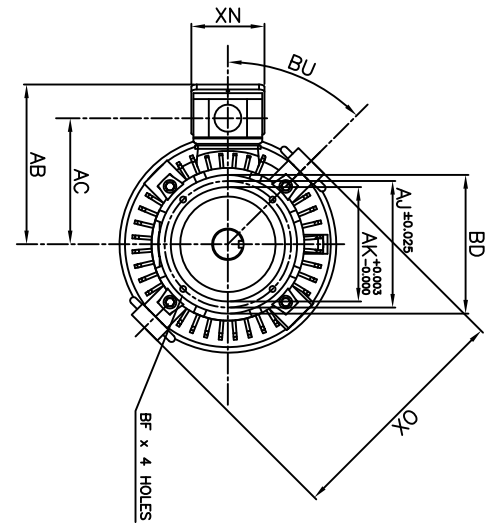
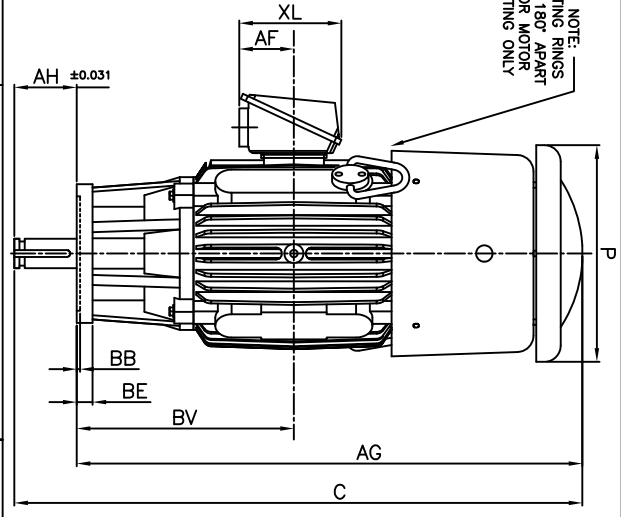


NOTE:
LIFTING RINGS
(2) 180° APART
FOR MOTOR
LIFTING ONLY



UNITS: INCHES

FRAME SIZE	MOTOR DIMENSIONS										P-FLANGE DIMENSIONS										SHAFT EXTENSION DIMENSIONS															
	AG	C	P	OX	BU	BB	BE	BF	BD	BV	AK	AU	AH	EU	U	V	R	S	ES	EW	EX	AM	BT	U	V	R	S	ES	EW	EX	AA	AB	AC	AF	XL	XN
250HP10	36.5	39.3	15.7	17.1	45°	0.25	1.0	0.44	10.0	15.7	8.25	9.125	2.75	0.875	1.125	2.75	0.986	0.25	1.28	0.375	0.75	1.50	10.7	8.3	4.0	7.4	5.3	500 lbs.	250HP	LS	OS					
250HP12	36.5	39.3	15.7	17.1	45°	0.25	1.0	0.44	12.0	15.7	8.25	9.125	2.75	0.875	1.125	2.75	0.986	0.25	1.28	0.375	0.75	250P	6309C3	7309BEGAM x 2												
250LP10	36.5	39.3	15.7	17.1	45°	0.25	1.0	0.44	10.0	15.7	8.25	9.125	2.75	1.250	1.625	2.75	1.416	0.375	1.28	0.375	0.75	280P	6309C3	6310C3												
250LP12	36.5	39.3	15.7	17.1	45°	0.25	1.0	0.44	12.0	15.7	8.25	9.125	2.75	1.250	1.625	2.75	1.416	0.375	1.28	0.375	0.75	280P	6309C3	6310C3												
280HP10	36.5	39.3	15.7	17.1	45°	0.25	1.0	0.44	10.0	15.7	8.25	9.125	2.75	0.875	1.125	2.75	0.986	0.25	1.28	0.375	0.75															
280HP12	36.5	39.3	15.7	17.1	45°	0.25	1.0	0.44	12.0	15.7	8.25	9.125	2.75	0.875	1.125	2.75	0.986	0.25	1.28	0.375	0.75															
280LP10	36.5	41.0	15.7	17.1	45°	0.25	1.0	0.44	10.0	15.7	8.25	9.125	4.50	1.750	2.125	4.50	1.845	0.50	3.03	0.375	0.75															
280LP12	36.5	41.0	15.7	17.1	45°	0.25	1.0	0.44	12.0	15.7	8.25	9.125	4.50	1.750	2.125	4.50	1.845	0.50	3.03	0.375	0.75															
280PA10	36.5	41.0	15.7	17.1	45°	0.25	1.0	0.44	10.0	15.7	8.25	9.125	4.50	1.250	1.625	4.50	1.416	0.375	1.28	0.375	0.75															
280PA12	36.5	41.0	15.7	17.1	45°	0.25	1.0	0.44	12.0	15.7	8.25	9.125	4.50	1.250	1.625	4.50	1.416	0.375	1.28	0.375	0.75															
280PA16	36.5	41.0	15.7	17.1	45°	0.25	1.0	0.69	16.5	15.7	13.50	14.75	4.50	1.750	2.125	4.50	1.845	0.50	3.03	0.375	0.75															
280PH16	36.5	41.0	15.7	17.1	45°	0.25	1.0	0.69	16.5	15.7	13.50	14.75	4.50	1.250	1.625	4.50	1.416	0.375	3.03	0.375	0.75															
280PA16	36.5	41.0	15.7	17.1	45°	0.25	1.0	0.69	16.5	15.7	13.50	14.75	4.50	1.250	1.625	4.50	1.416	0.375	1.28	0.375	0.75															

- NOTES:
1. DIMENSION V REPRESENTS LENGTH OF STRAIGHT PART OF SHAFT
2. MAIN CONDUIT BOX MAY BE ROTATED IN 90° INCREMENTS
3. KEY DIMENSIONS EQUAL S x S x ES (MOTOR SUPPLIED WITH KEY)
4. MOTOR WEIGHT SHOWN IS MAXIMUM HORSEPOWER IN FRAME
5. STANDARD PRODUCT USE BI-DIRECTIONAL FAN, OPPOSITE ROTATION AVAILABLE ONLY BY CONNECTION CHANGE

CONDUIT BOX DIMENSIONS						
AM	BT	U	V	R	S	ES
1.50	10.7	8.3	4.0	7.4	5.3	500 lbs.

FRAME SIZE	LS	OS	BEARINGS
250HP	6309C3	6310C3	
250LP	6309C3	7309BEGAM x 2	
280HP	6309C3	6310C3	
280LP	6312C3	7309BEGAM x 2	

CUSTOMER: _____ MOTOR MODEL NO.: _____ TAG NO's.: _____

P.O. NO.: _____ HP: _____ VOLTAGE: _____ RPM(SYN): _____ HZ: _____
 FRAME SIZE: _____ PRODUCT TYPE: VERTICAL SOLID SHAFT ROUND BODY P-FLANGE
 COMMENTS: _____

PER: _____ DATE: _____

TOSHIBA RESERVES THE RIGHT TO MAKE CHANGES OF TECHNICAL IMPROVEMENT AND THE DATA MAY CHANGE WITHOUT NOTICE PRELIMINARY
 DO NOT USE FOR CONSTRUCTION, INSTALLATION, OR APPLICATION PURPOSES UNLESS THE DRAWING IS MARKED AS CERTIFIED CERTIFIED

STANDARD (NO AUX. BOXES)
 RTD AUX. BOX
 SPACE HEATER AUX. BOX
 BEARING RTD's

TOSHIBA TOTALLY-ENCLOSED FAN-COOLED
 VERTICAL SOLID SHAFT ROUND BODY P-FLANGE
 3 PHASE INDUCTION MOTOR
XT SERIES
 VISIT OUR WEBSITE AT:
 www.toshiba.com/ind



Issued Date	9/24/2019	Transmit #	
Issued By	dschoeck	Issued Rev	

TYPICAL MOTOR PERFORMANCE DATA

Model: 0254FTVB3PX-A

HP	kW	Pole	FL RPM	Frame	Voltage	Hz	Phase	FL Amps
25	18.5	4	1770	280LP10	460	60	3	29
Enclosure	IP	Ins. Class	S.F.	Duty	NEMA Nom. Eff.	NEMA Design	kVA Code	Ambient (°C)
TEFC	54	F	1.15	CONT	93.6	B	G	40 C

Load	HP	kW	Amperes	Efficiency (%)	Power Factor (%)
Full Load	25	18.6	29.0	93.8	86.0
¾ Load	18.75	14.0	23.1	94.2	83.0
½ Load	12.50	9.3	17.3	94.0	76.0
¼ Load	6.25	4.7	12.9	86.8	52.0
No Load			9.1		4.6
Locked Rotor			182		48.7

Torque				Rotor wk ² Inertia (lb-ft ²)
Full Load (lb-ft)	Locked Rotor (% FLT)	Pull Up (% FLT)	Break Down (% FLT)	
74.2	290	265	280	4.73

Safe Stall Time(s)		Sound Pressure dB(A) @ 1M	Bearings*		Approx. Motor Weight (lbs)
Cold	Hot		DE	NDE	
39	17	-	6312C3	7309B	500

*Bearings are the only recommended spare part(s).

Motor Options:

Product Family:EQPIII Vertical Medium Thrust
 Mounting:10 P-Base (180-280 Frame),Shaft:LP Solid Shaft Medium Thrust

Customer	
Customer PO	
Sales Order	
Project #	

Tag:

All characteristics are average expected values.

TOSHIBA INTERNATIONAL CORPORATION · HOUSTON, TEXAS U.S.A.

Engineering	gminetos	Doc. Written By	D. Suarez	Doc.# / Rev	MPCF-1119 / 1
Engr. Date	7/24/2013	Doc. Approved By	M. Campbell	Doc. Issued	9/20/2019



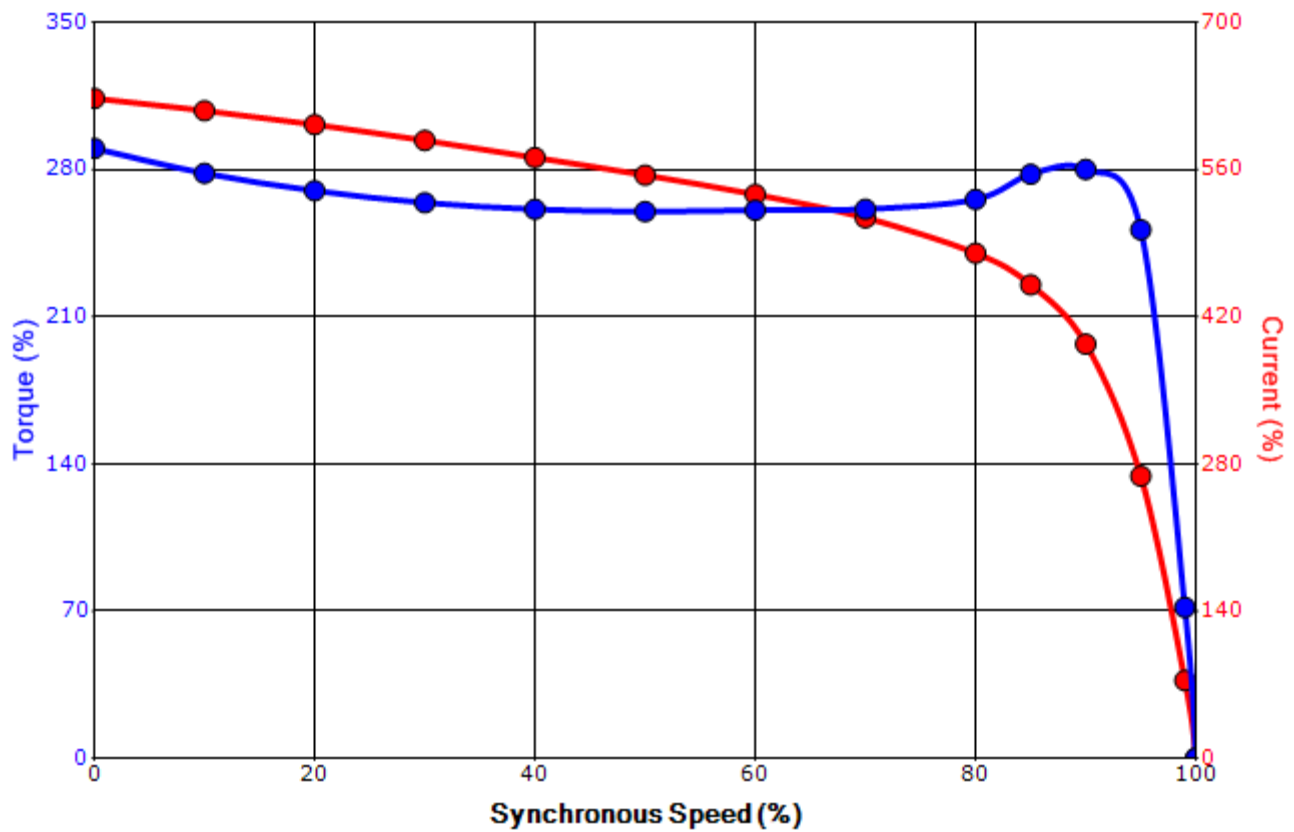
Issued Date	9/24/2019	Transmit #	
Issued By	dschoeck	Issued Rev	

SPEED TORQUE/CURRENT CURVE

Model: 0254FTVB3PX-A

HP	kW	Pole	FL RPM	Frame	Voltage	Hz	Phase	FL Amps
25	18.5	4	1770	280LP10	460	60	3	29
Enclosure	IP	Ins. Class	S.F.	Duty	NEMA Nom. Eff.	NEMA Design	kVA Code	Ambient (°C)
TEFC	54	F	1.15	CONT	93.6	B	G	40 C
Locked Rotor Amps	Rotor wk ² Inertia (lb-ft ²)	Torque				Pull Up (%)	Break Down (%)	
		Full Load (lb-ft)	Locked Rotor (%)					
182	4.73	74.2	290		265	280		

Design Values



Customer		wk ² Load Inertia (lb-ft ²)	-
Customer PO		Load Type	-
Sales Order		Voltage (%)	100
Project #		Accel. Time	-

Tag:

All characteristics are average expected values.

TOSHIBA INTERNATIONAL CORPORATION · HOUSTON, TEXAS U.S.A.

Engineering	gminetos	Doc. Written By	D. Suarez	Doc.# / Rev	MPCF-1121/1
Engr. Date	7/24/2013	Doc. Approved By	M. Campbell	Doc. Issued	9/20/2019

Motor Connection Diagram
3 Leads - Delta Connection



Switch L1 and L2 to reverse rotation

Each lead may consist of more than one cable.
If multiple cables represent a single lead, each one
of them will be labeled with the appropriate lead number.