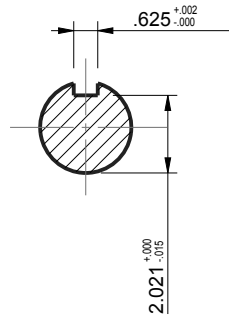
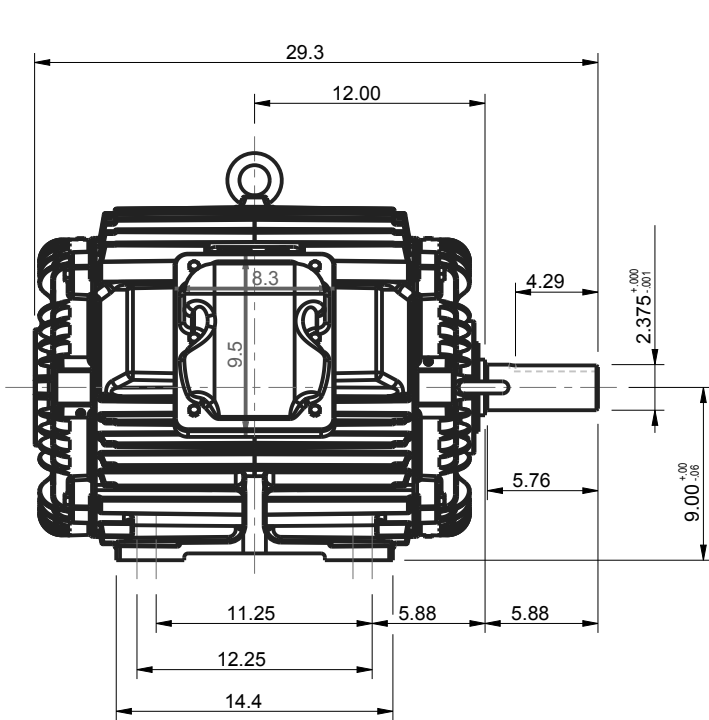


ROTATION FROM NDE

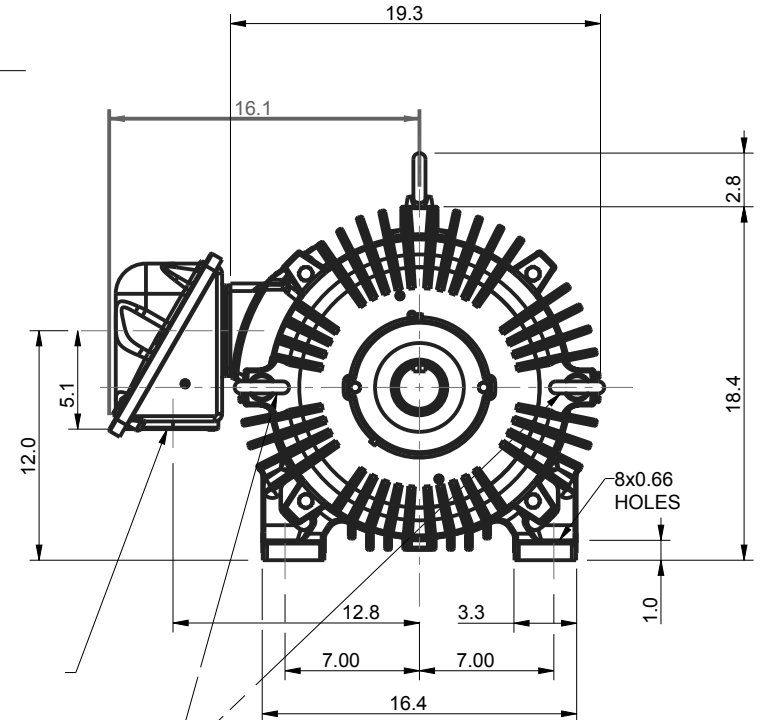
CCW

CW



3.00" NPT CONDUIT

EYEBOLTS FOR VERTICAL LIFTING



- NOTES:
1. MAIN CONDUIT BOX MAY BE ROTATED IN 90 INCREMENTS
  2. STANDARD PRODUCT USE BI-DIRECTIONAL FAN. OPPOSITE ROTATION AVAILABLE ONLY BY CONNECTION CHANGE.
  3. KEY DIMENSIONS EQUAL 0.625" x 0.625" x 4.25" (MOTOR SUPPLIED WITH KEY)

UNITS: INCHES

BEARINGS		APPROX. WEIGHT
LS	OS	
6314ZZC3	6312ZZC3	893 lbs

CUSTOMER: \_\_\_\_\_ MOTOR MODEL NO.: \_\_\_\_\_

P.O. NO.: \_\_\_\_\_ HP: \_\_\_\_\_ VOLTAGE: \_\_\_\_\_ RPM(SYN.): \_\_\_\_\_ HZ: \_\_\_\_\_

FRAME SIZE: 360T PRODUCT TYPE: COOLING TOWER

COMMENTS: \_\_\_\_\_

PER: \_\_\_\_\_ DATE: \_\_\_\_\_

TAG NUMBERS

\_\_\_\_\_

\_\_\_\_\_

\_\_\_\_\_

\_\_\_\_\_

- STANDARD (NO AUX. BOXES)
- RTD AUX. BOX
- SPACE HEATER AUX. BOX
- BEARING RTD's

TOSHIBA RESERVES THE RIGHT TO MAKE CHANGES OF TECHNICAL IMPROVEMENT AND THE DATA MAY CHANGE WITHOUT NOTICE

PRELIMINARY

DO NOT USE FOR CONSTRUCTION, INSTALLATION, OR APPLICATION PURPOSES UNLESS THE DRAWING IS MARKED AS CERTIFIED

CERTIFIED

**TOSHIBA**

**TOSHIBA INTERNATIONAL CORPORATION**

MDSLV505-07

TOTALLY ENCLOSED AIR OVER

3 PHASE INDUCTION MOTOR

F1 ASSEMBLY

SEVERE DUTY

**EQP Global CT**

**XT SERIES**

www.toshiba.com/ind

**TYPICAL MOTOR PERFORMANCE DATA**

Model: 0754FAGC41A-P

HP	kW	Pole	FL RPM	Frame	Voltage	Hz	Phase	FL Amps
75	55	4	1780	365T	575	60	3	67
Enclosure	IP	Ins. Class	S.F.	Duty	NEMA Nom. Eff.	NEMA Design	kVA Code	Ambient (°C)
TEAO	56	F	1.15	CONT	95.4	B		40 C

Load	HP	kW	Amperes	Efficiency (%)	Power Factor (%)
Full Load	75.00	55.9	66	95.7	87.9
¾ Load	56.25	41.9	51	95.3	86.6
½ Load	37.50	28.0	36	94.0	81.9
¼ Load	18.75	14.0	24	89.5	65.1
No Load			18.0		4.9
Locked Rotor			473		25.2

Torque				Rotor wk² Inertia (lb-ft²)
Full Load (lb-ft)	Locked Rotor (% FLT)	Pull Up (% FLT)	Break Down (% FLT)	
221	160	115	280	20.46

Safe Stall Time(s)		Sound Pressure dB(A) @ 1M	Bearings*		Approx. Motor Weight (lbs)
Cold	Hot		DE	NDE	
35	15	-	6314ZZC3	6312ZZC3	

\*Bearings are the only recommended spare part(s).

**Motor Options:**  
Product Family:EQP Global Cooling Tower  
Mounting:Footed,Shaft:T Shaft

Customer	
Customer PO	
Sales Order	
Project #	

Tag:

All characteristics are average expected values.

**TOSHIBA INTERNATIONAL CORPORATION · HOUSTON, TEXAS U.S.A.**

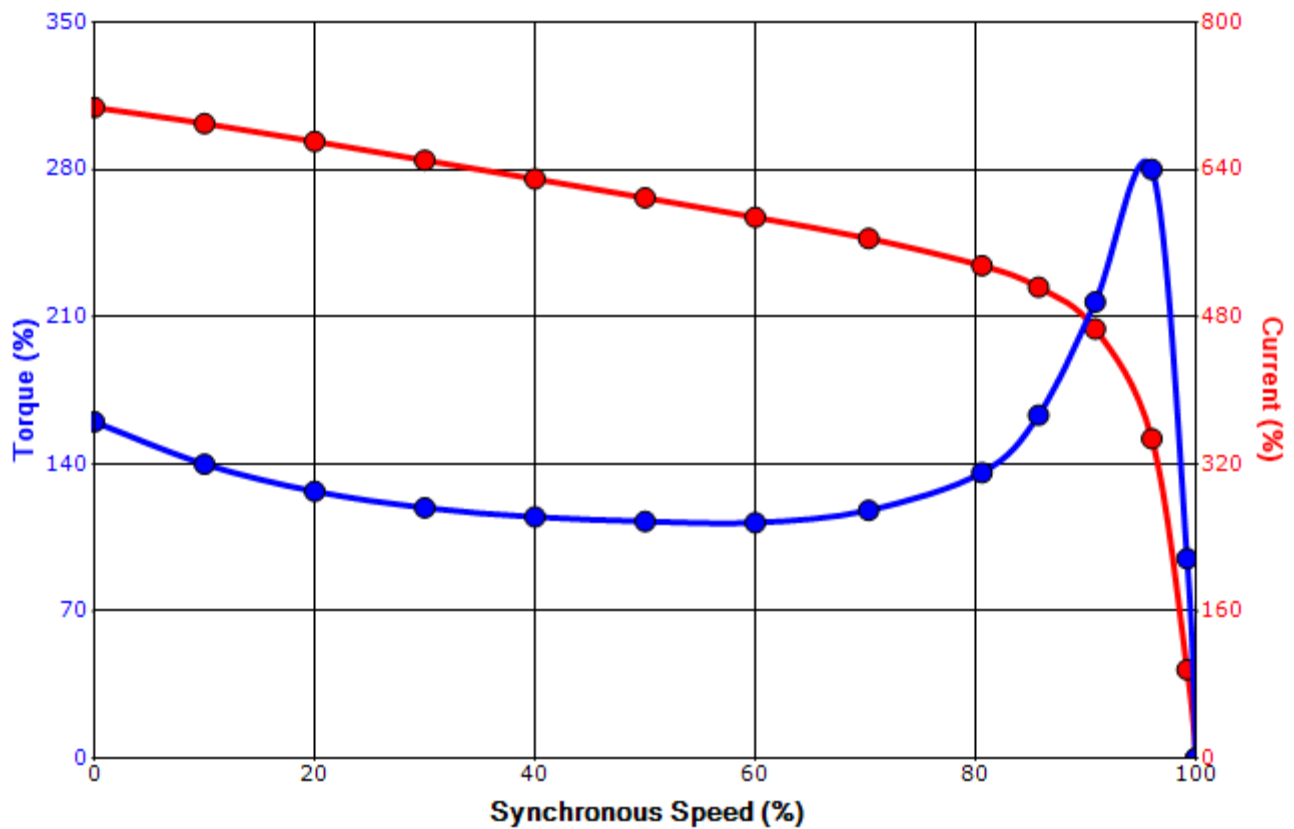
Engineering	Jrodrigu	Doc. Written By	D. Suarez	Doc.# / Rev	MPCF-1119 / 0
Engr. Date	1/28/2025	Doc. Approved By	M. Campbell	Doc. Issued	6/8/2011

**SPEED TORQUE/CURRENT CURVE**

Model: 0754FAGC41A-P

HP	kW	Pole	FL RPM	Frame	Voltage	Hz	Phase	FL Amps
75	55	4	1780	365T	575	60	3	67
Enclosure	IP	Ins. Class	S.F.	Duty	NEMA Nom. Eff.	NEMA Design	kVA Code	Ambient (°C)
TEAO	56	F	1.15	CONT	95.4	B		40 C
Locked Rotor Amps	Rotor wk <sup>2</sup> Inertia (lb-ft <sup>2</sup> )	Torque						Break Down (%)
		Full Load (lb-ft)	Locked Rotor (%)	Pull Up (%)				
473	20.46	221	160	115			280	

**Design Values**



Customer		wk <sup>2</sup> Load Inertia (lb-ft <sup>2</sup> )	-
Customer PO		Load Type	-
Sales Order		Voltage (%)	100
Project #		Accel. Time	-

Tag:

All characteristics are average expected values.

**TOSHIBA INTERNATIONAL CORPORATION · HOUSTON, TEXAS U.S.A.**

Engineering	Jrodrigu	Doc. Written By	D. Suarez	Doc.# / Rev	MPCF-1121 / 0
Engr. Date	1/28/2025	Doc. Approved By	M. Campbell	Doc. Issued	6/8/2011

**Motor Connection Diagrams**  
6 Leads

Across the Line Starting / Run - Delta:



Alternate Starting Connection - Wye:



Switch L1 and L2 to reverse rotation