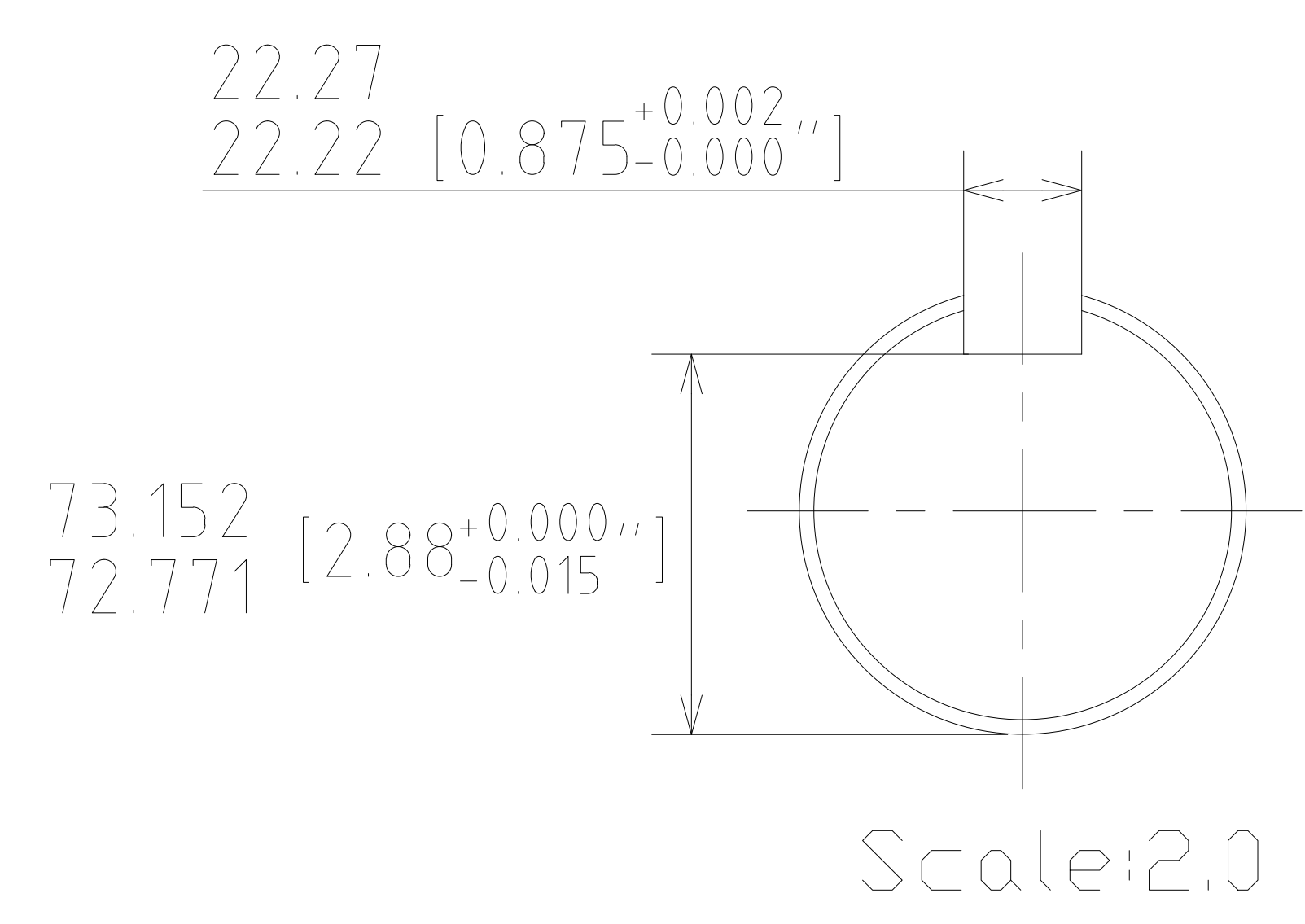
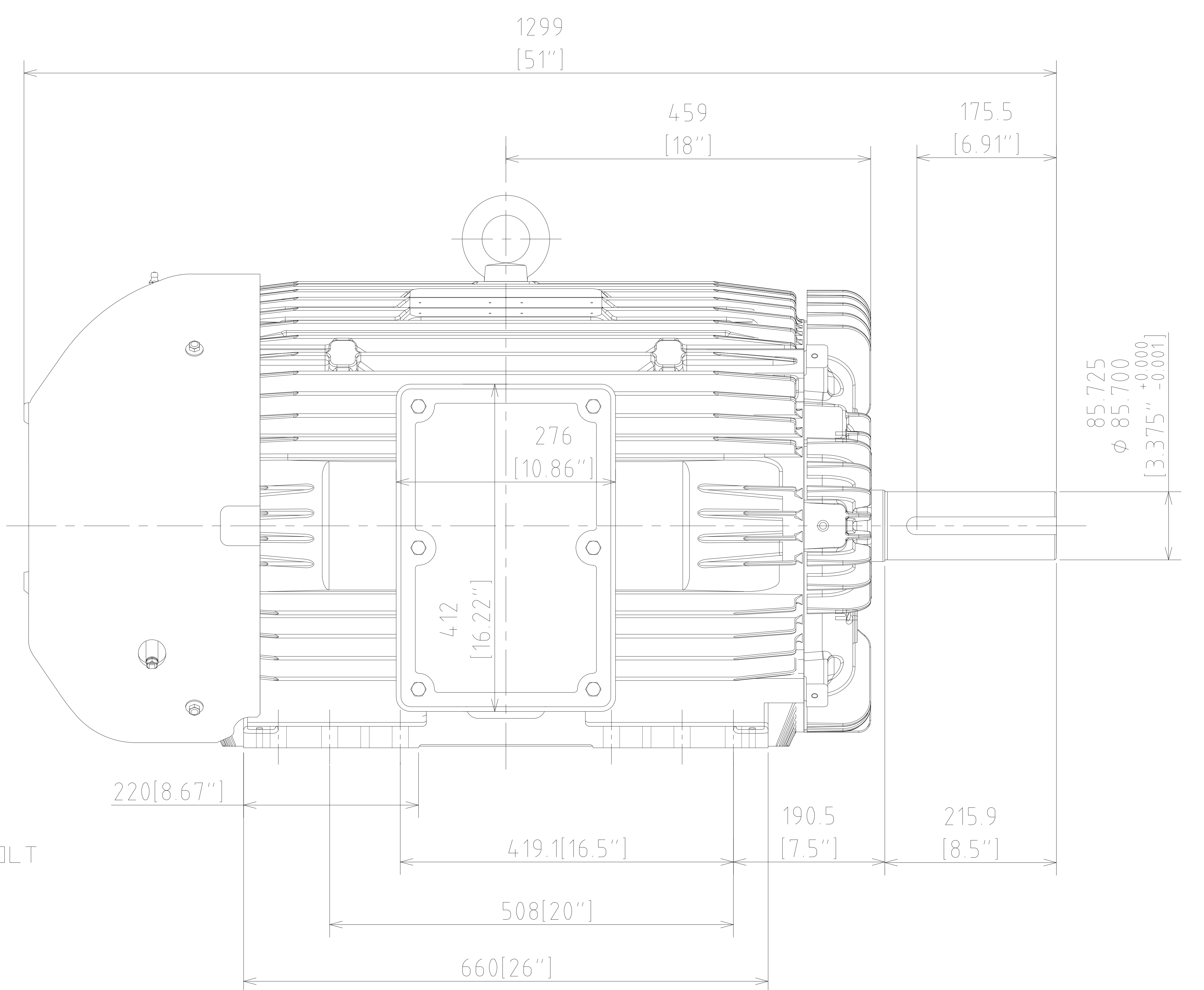
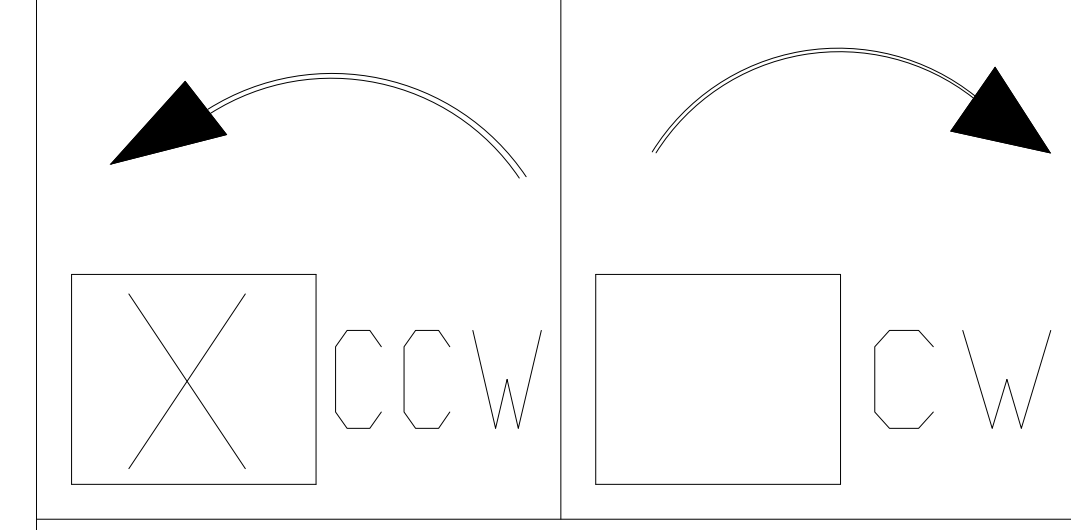


NEMA MOUNTING HOLES:  
DRILL THRU  
NEMA HOLE SIZE  
Ø 21 (Ø13/16")  
12 PLACES



UNITS: INCHES  
ROTATION FROM NDE



NOTES:  
1. MAIN CONDUIT BOX MAY BE ROTATED IN 90° INCREMENTS  
2. STANDARD PRODUCT USES BI-DIRECTIONAL FAN. OPPOSITE ROTATION AVAILABLE ONLY BY CONNECTION CHANGE.  
3. KEY DIMENSIONS EQUAL 7/8"-7/8"-6 7/8"(MOTOR SUPPLIED WITH KEY)

TOSHIBA RESERVES THE RIGHT TO MAKE CHANGES OF TECHNICAL IMPROVEMENT AND THE DATA MAY CHANGE WITHOUT NOTICE  PRELIMINARY

DO NOT USE FOR CONSTRUCTION, INSTALLATION, OR APPLICATION PURPOSES UNLESS THE DRAWING IS MARKED AS CERTIFIED  CERTIFIED

**TOSHIBA** PETRO-CHEMICAL DUTY **EQP Global 841**  
www.toshiba.com/tic  
TOSHIBA INTERNATIONAL CORPORATION

TOTALLY ENCLOSED FAN COOLED  
HORIZONTAL FOOT MOUNT  
3 PHASE INDUCTION MOTOR  
S445/7T F1 ASSEMBLY

DRAWING #: MDSL702-02  
REV. DATE: Nov-26-18 REV. #: 0 PER.: T.Danh  
REV. DESCRIP: \_\_\_\_\_

**TYPICAL MOTOR PERFORMANCE DATA**

Model: 2004XDSC41A-PR

HP	kW	Pole	FL RPM	Frame	Voltage	Hz	Phase	FL Amps
200	150	4	1785	S447T	575	60	3	185
Enclosure	IP	Ins. Class	S.F.	Duty	NEMA Nom. Eff.	NEMA Design	kVA Code	Ambient (°C)
TEFC	56	F	1.15	CONT	96.2	B		40 C

Load	HP	kW	Amperes	Efficiency (%)	Power Factor (%)
Full Load	200.00	149.1	185	96.3	84.0
¾ Load	150.00	111.9	143	95.8	81.8
½ Load	100.00	74.6	104	94.6	75.5
¼ Load	50.00	37.3	73	90.4	56.3
No Load			60.6		3.7
Locked Rotor			1159		28.2

Torque				Rotor wk <sup>2</sup> Inertia (lb-ft <sup>2</sup> )
Full Load (lb-ft)	Locked Rotor (% FLT)	Pull Up (% FLT)	Break Down (% FLT)	
588	190	105	280	74.36

Safe Stall Time(s)		Sound Pressure dB(A) @ 1M	Bearings*		Approx. Motor Weight (lbs)
Cold	Hot		DE	NDE	
35	13	83	NU318C3	6316C3	

\*Bearings are the only recommended spare part(s).

**Motor Options:**  
Product Family:EQP Global 841  
Mounting:Footed,Shaft:T Shaft

Customer	
Customer PO	
Sales Order	
Project #	

Tag:

All characteristics are average expected values.

**TOSHIBA INTERNATIONAL CORPORATION · HOUSTON, TEXAS U.S.A.**

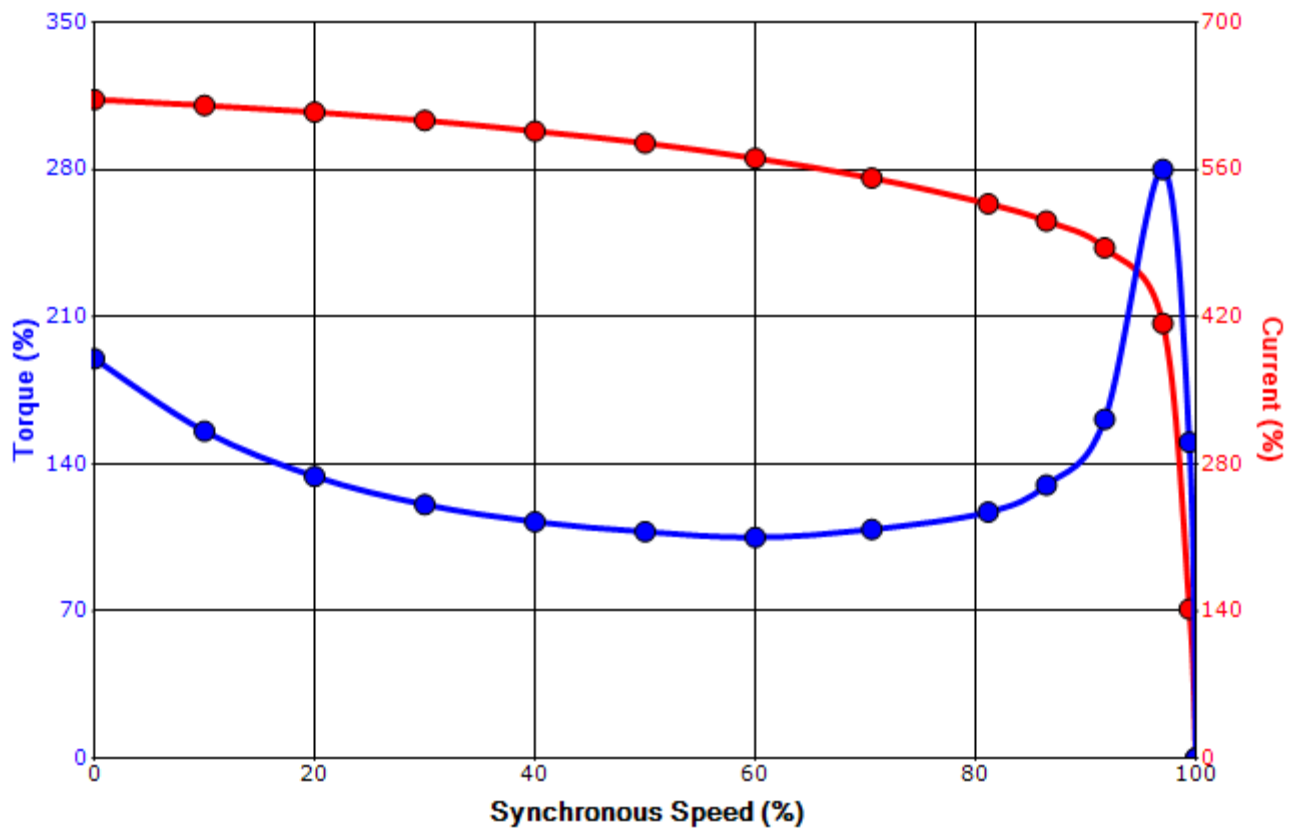
Engineering	mccampbell	Doc. Written By	D. Suarez	Doc.# / Rev	MPCF-1119 / 0
Engr. Date	11/12/2018	Doc. Approved By	M. Campbell	Doc. Issued	6/8/2011

**SPEED TORQUE/CURRENT CURVE**

Model: 2004XDSC41A-PR

HP	kW	Pole	FL RPM	Frame	Voltage	Hz	Phase	FL Amps
200	150	4	1785	S447T	575	60	3	185
Enclosure	IP	Ins. Class	S.F.	Duty	NEMA Nom. Eff.	NEMA Design	kVA Code	Ambient (°C)
TEFC	56	F	1.15	CONT	96.2	B		40 C
Locked Rotor Amps	Rotor wk <sup>2</sup> Inertia (lb-ft <sup>2</sup> )	Torque						Break Down (%)
		Full Load (lb-ft)	Locked Rotor (%)	Pull Up (%)				
1159	74.36	588	190	105			280	

**Design Values**



Customer		wk <sup>2</sup> Load Inertia (lb-ft <sup>2</sup> )	-
Customer PO		Load Type	-
Sales Order		Voltage (%)	100
Project #		Accel. Time	-

Tag:

All characteristics are average expected values.

**TOSHIBA INTERNATIONAL CORPORATION · HOUSTON, TEXAS U.S.A.**

Engineering	mcampbell	Doc. Written By	D. Suarez	Doc.# / Rev	MPCF-1121 / 0
Engr. Date	11/12/2018	Doc. Approved By	M. Campbell	Doc. Issued	6/8/2011

**Motor Connection Diagram**  
3 Leads - Delta Connection



Switch L1 and L2 to reverse rotation

Each lead may consist of more than one cable.  
If multiple cables represent a single lead, each one  
of them will be labeled with the appropriate lead number.

**SPARE PARTS LIST\***

Model: 2004XDSC41A-PR

HP	kW	Pole	FL RPM	Frame	Voltage	Hz	Phase	FL Amps
200	150	4	1785	S447T	575	60	3	185
Enclosure	IP	Ins. Class	S.F.	Duty	NEMA Nom. Eff.	NEMA Design	kVA Code	Ambient (°C)
TEFC	56	F	1.15	CONT	96.2	B		40 C

<b>Bearings DE</b>	NU318C3 / 90RU03M3OX
<b>Bearings NDE</b>	6316C3 / 80BC03J3OX

\*Bearings are the only recommended spare part(s).

Other than the grease used for regreasable bearings and the oil used for oil-lubricated bearings, Toshiba advises that there are no "use" parts. The only insurance spares that Toshiba suggests for these squirrel-cage induction motors are industry-standard and commercially available off-the-shelf bearings as noted above.

Motor components such as terminal boxes, fan covers and other machined parts are available on special request. In these cases, please advise our order entry department of the model and serial numbers found on the motor nameplate and a description of the needed components. With this information they will be able to furnish the current part number, price and availability.

Note: Our internal part numbers are subject to change without notice and are not published.

<b>Customer</b>	
<b>Customer PO</b>	
<b>Sales Order</b>	
<b>Project #</b>	

Tag:

All characteristics are average expected values.

**TOSHIBA INTERNATIONAL CORPORATION · HOUSTON, TEXAS U.S.A.**

Engineering	mcampbell	Doc. Written By	D. Suarez	Doc.# / Rev	MPCF-1125 / 0
Engr. Date	11/12/2018	Doc. Approved By	M. Campbell	Doc. Issued	6/8/2011