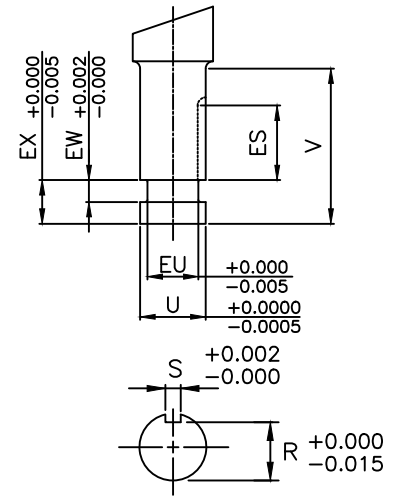
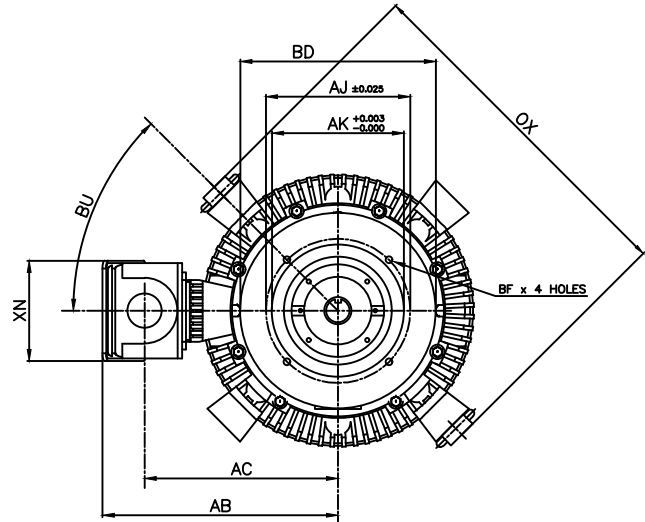
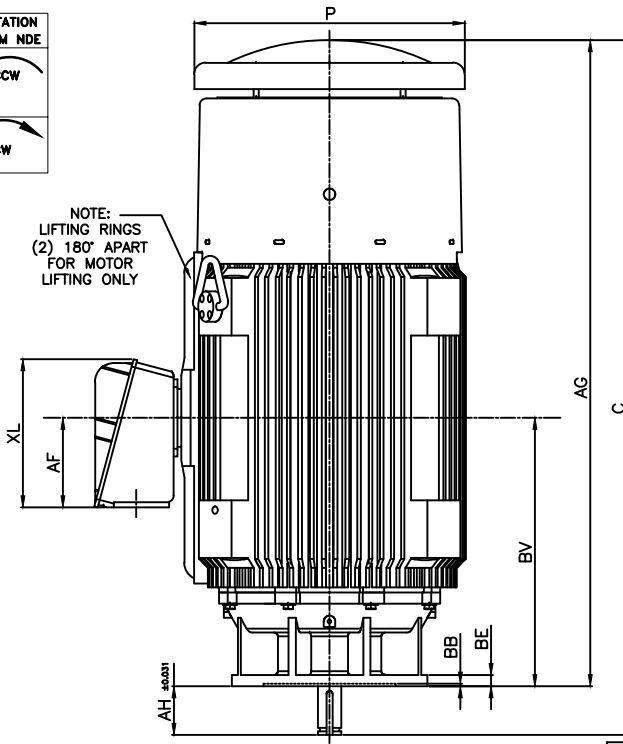


NOTE:
LIFTING RINGS
(2) 180° APART
FOR MOTOR
LIFTING ONLY



- NOTES:
1. DIMENSION V REPRESENTS LENGTH OF STRAIGHT PART OF SHAFT
 2. MAIN CONDUIT BOX MAY BE ROTATED IN 90° INCREMENTS
 3. KEY DIMENSIONS EQUAL S x S x ES (MOTOR SUPPLIED WITH KEY)
 4. MOTOR WEIGHT SHOWN IS MAXIMUM HORSEPOWER IN FRAME
 5. STANDARD PRODUCT USE BI-DIRECTIONAL FAN. OPPOSITE ROTATION AVAILABLE ONLY BY CONNECTION CHANGE

UNITS: INCHES

| FRAME SIZE | MOTOR DIMENSIONS | | | | P-FLANGE DIMENSIONS | | | | | | | |
|------------|------------------|------|------|------|---------------------|------|-----|------|------|------|-------|-------|
| | AG | C | P | OX | BU | BB | BE | BF | BD | BV | AK | AJ |
| N449HP20 | 66.1 | 71.1 | 27.7 | 35.9 | 45° | 0.25 | 1.0 | 0.69 | 20.0 | 27.5 | 13.50 | 14.75 |
| N449HP24 | 66.1 | 71.1 | 27.7 | 35.9 | 45° | 0.25 | 1.0 | 0.69 | 24.0 | 27.5 | 13.50 | 14.75 |
| N449LP20 | 66.1 | 71.1 | 27.7 | 35.9 | 45° | 0.25 | 1.0 | 0.69 | 20.0 | 27.5 | 13.50 | 14.75 |
| N449LP24 | 66.1 | 71.1 | 27.7 | 35.9 | 45° | 0.25 | 1.0 | 0.69 | 24.0 | 27.5 | 13.50 | 14.75 |

| POLE SPEED | HORSE POWER | SHAFT EXTENSION DIMENSIONS | | | | | | | | | |
|------------|-------------|----------------------------|------|-------|------|-------|-------|------|-------|------|--|
| | | AH | EU | U | V | R | S | ES | EW | EX | |
| 2 | 250~350 | 4.50 | 1.75 | 2.125 | 4.50 | 1.845 | 0.500 | 3.03 | 0.375 | 0.75 | |
| | 350~300 | 4.50 | 1.75 | 2.125 | 4.50 | 1.845 | 0.500 | 3.03 | 0.375 | 0.75 | |
| 4 | 350 | 5.00 | 2.00 | 2.375 | 5.00 | 2.021 | 0.625 | 3.53 | 0.375 | 0.75 | |
| | 200 | 4.50 | 1.75 | 2.125 | 4.50 | 1.845 | 0.500 | 3.03 | 0.375 | 0.75 | |
| 6 | 250 | 5.00 | 2.00 | 2.375 | 5.00 | 2.021 | 0.625 | 3.53 | 0.375 | 0.75 | |
| | 300~350 | 5.00 | 2.25 | 2.625 | 5.00 | 2.275 | 0.625 | 3.53 | 0.375 | 0.75 | |
| 8 | 150 | 5.00 | 2.00 | 2.375 | 5.00 | 2.021 | 0.625 | 3.53 | 0.375 | 0.75 | |
| | 200~250 | 5.00 | 2.25 | 2.625 | 5.00 | 2.275 | 0.625 | 3.53 | 0.375 | 0.75 | |

| CONDUIT BOX DIMENSIONS | | | | | | MAXIMUM WEIGHT |
|------------------------|------|------|-----|------|------|----------------|
| AA/NPT | AB | AC | AF | XL | XN | |
| 3.00 | 24.1 | 19.8 | 9.2 | 15.2 | 10.3 | 3800 LBS |

| FRAME SIZE | BEARINGS | |
|-------------|----------|---------------|
| | LS | OS |
| 2 POLE HP | 6313C3 | 6315C3 |
| 2 POLE LP | 6313C3 | 7315BEGAM x 2 |
| 4~8 POLE HP | 6318C3 | 6315C3 |
| 4~8 POLE LP | 6318C3 | 7315BEGAM x 2 |

CUSTOMER: _____ MOTOR MODEL NO.: _____ TAG NO's.: _____

P.O. NO.: _____ HP: _____ VOLTAGE: _____ RPM(SYN.): _____ Hz: _____

FRAME SIZE: _____ PRODUCT TYPE: VERTICAL SOLID SHAFT ROUND BODY P-FLANGE

COMMENTS: _____

PER: _____ DATE: _____

STANDARD (NO AUX. BOXES)

RTD AUX. BOX

SPACE HEATER AUX. BOX

BEARING RTD's

TOSHIBA RESERVES THE RIGHT TO MAKE CHANGES OF TECHNICAL IMPROVEMENT AND THE DATA MAY CHANGE WITHOUT NOTICE PRELIMINARY

DO NOT USE FOR CONSTRUCTION, INSTALLATION, OR APPLICATION PURPOSES UNLESS THE DRAWING IS MARKED AS CERTIFIED CERTIFIED

TOSHIBA
TOSHIBA INTERNATIONAL CORPORATION

TOTALLY-ENCLOSED FAN-COOLED
VERTICAL SOLID SHAFT ROUND BODY P-FLANGE
3 PHASE INDUCTION MOTOR
F1 ASSEMBLY

XT SERIES
VISIT OUR WEBSITE AT:
www.toshiba.com/ind

TYPICAL MOTOR PERFORMANCE DATA

Model: 2506FTVB3SX-A

| HP | kW | Pole | FL RPM | Frame | Voltage | Hz | Phase | FL Amps |
|-----------|-----|------------|--------|----------|----------------|-------------|----------|--------------|
| 250 | 186 | 6 | 1185 | N449LP20 | 460 | 60 | 3 | 295 |
| Enclosure | IP | Ins. Class | S.F. | Duty | NEMA Nom. Eff. | NEMA Design | kVA Code | Ambient (°C) |
| TEFC | 54 | F | 1.15 | CONT | 96.2 | B | | 40 C |

| Load | HP | kW | Amperes | Efficiency (%) | Power Factor (%) |
|--------------|--------|-------|---------|----------------|------------------|
| Full Load | 250.00 | 186.4 | 295 | 96.5 | 82.2 |
| ¾ Load | 187.50 | 139.8 | 232 | 95.8 | 78.9 |
| ½ Load | 125.00 | 93.2 | 176 | 94.2 | 70.5 |
| ¼ Load | 62.50 | 46.6 | 132 | 89.0 | 49.7 |
| No Load | | | 119.0 | | 2.9 |
| Locked Rotor | | | 1805 | | 23.3 |

| Torque | | | | Rotor wk ² Inertia (lb-ft ²) |
|----------------------|-------------------------|--------------------|-----------------------|---|
| Full Load (lb-ft) | Locked Rotor (% FLT) | Pull Up (% FLT) | Break Down (% FLT) | |
| 1108 | 155 | 125 | 245 | 159.00 |

| Safe Stall Time(s) | | Sound Pressure dB(A) @ 1M | Bearings* | | Approx. Motor Weight (lbs) |
|--------------------|-----|------------------------------|-----------|-------|-------------------------------|
| Cold | Hot | | DE | NDE | |
| 23 | 10 | - | 6318C3 | 7315B | 3200 |

*Bearings are the only recommended spare part(s).

Motor Options:
Product Family:EQPIII Vertical Medium Thrust
Mounting:20 P-Base (440 Frame),Shaft:LP Solid Shaft Medium Thrust

| | |
|-------------|--|
| Customer | |
| Customer PO | |
| Sales Order | |
| Project # | |

Tag:

All characteristics are average expected values.

TOSHIBA INTERNATIONAL CORPORATION · HOUSTON, TEXAS U.S.A.

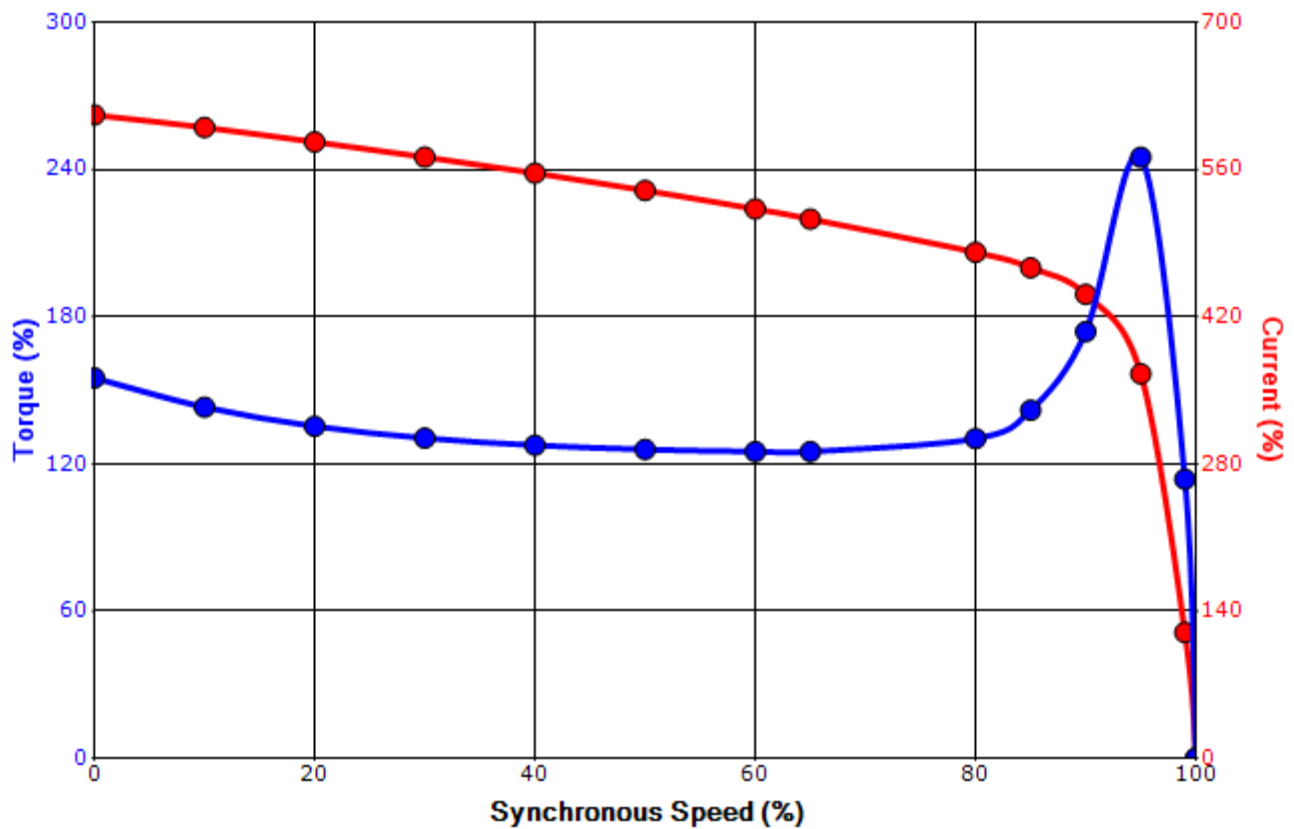
| | | | | | |
|-------------|-----------|------------------|-------------|-------------|---------------|
| Engineering | gminetos | Doc. Written By | D. Suarez | Doc.# / Rev | MPCF-1119 / 0 |
| Engr. Date | 7/25/2013 | Doc. Approved By | M. Campbell | Doc. Issued | 6/8/2011 |

SPEED TORQUE/CURRENT CURVE

Model: 2506FTVB3SX-A

| | | | | | | | | |
|-------------------|---|-------------------|------------------|-------------|----------------|-------------|----------|----------------|
| HP | kW | Pole | FL RPM | Frame | Voltage | Hz | Phase | FL Amps |
| 250 | 186 | 6 | 1185 | N449LP20 | 460 | 60 | 3 | 295 |
| Enclosure | IP | Ins. Class | S.F. | Duty | NEMA Nom. Eff. | NEMA Design | kVA Code | Ambient (°C) |
| TEFC | 54 | F | 1.15 | CONT | 96.2 | B | | 40 C |
| Locked Rotor Amps | Rotor wk ² Inertia (lb-ft ²) | Torque | | | | | | Break Down (%) |
| | | Full Load (lb-ft) | Locked Rotor (%) | Pull Up (%) | | | | |
| 1805 | 159.00 | 1108 | 155 | 125 | | | 245 | |

Design Values



| | | | |
|-------------|--|--|-----|
| Customer | | wk ² Load Inertia (lb-ft ²) | - |
| Customer PO | | Load Type | - |
| Sales Order | | Voltage (%) | 100 |
| Project # | | Accel. Time | - |

Tag:

All characteristics are average expected values.

TOSHIBA INTERNATIONAL CORPORATION · HOUSTON, TEXAS U.S.A.

| | | | | | |
|-------------|-----------|------------------|-------------|-------------|---------------|
| Engineering | gminetos | Doc. Written By | D. Suarez | Doc.# / Rev | MPCF-1121 / 0 |
| Engr. Date | 7/25/2013 | Doc. Approved By | M. Campbell | Doc. Issued | 6/8/2011 |