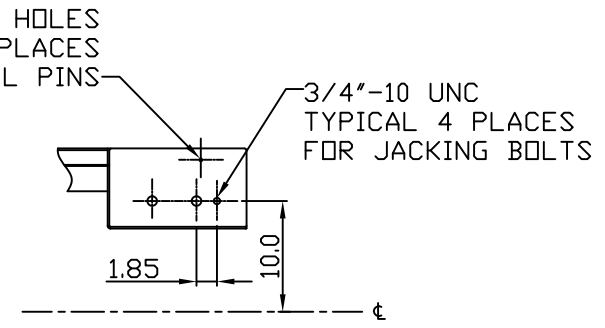


TECHNICAL INFORMATION

1. BEARING LUBRICATION DE: MOBIL POLYREX EM
ODE: MOBIL POLYREX EM
2. BEARING TYPE DE: 6321C3
ODE: 6321C3 (INSULATED)
3. WINDING TEMP. DETECTORS
NUMBER AND TYPE: 6xRTD(Pt0°C-100ohm)
LOCATION: IN STATOR SLOT
4. BEARING TEMP. DETECTORS
NUMBER AND TYPE: N/A
5. SPACE HEATER 1 PHASE
VOLTS: 120 WATTS: 400
6. ROTATION: CCW VIEWED FROM NON DRIVE END
THIS MOTOR IS BI DIRECTIONAL
7. MOTOR PAINT COLOR: GRAY
8. APPROX. WEIGHT: 5000 Lbs.
9. ACCESORIES:

| DRAWING LIST | | NO. | REVISION | BY | DATE |
|--------------------------------------|-------------|-----|------------------------------|-----|---------|
| MAIN TERMINAL BOX 130-7622-55 | | | | | |
| AUX TERMINAL BOX FOR SPACE HEATER | 130-7520-50 | 2 | CHANGE AUX BOX DIM FROM 12.3 | HL | 3/16/20 |
| R.T.D. | 130-7522-51 | 1 | GRS FROM SRI | RWS | 1/2/14 |
| THERMISTOR | - | | | | |
| PRODUCTION # | - | 0 | FIRST ISSUE | MH | 012904 |
| UNITS: | INCHES | | | | |

| MOTOR OUTLINE FOR THREE PHASE INDUCTION MOTOR | | | | | | | | | |
|--|----------------------|-----------------|---------------------------|---|--------------|-------------------|--------------------|------|---|
| CUSTOMER NAME | | | | P.O. NO. | | MOTOR TAG NO. | | | |
| OUTPUT HP | POLE | VOLTAGE V | FREQUENCY Hz | FULL LOAD SPEED (min ⁻¹) | | TOSHIBA MODEL NO. | | | |
| TYPE | FORM | INS. CLASS F | RATING CONT. | FRAME 5011/12US | | S.F. | ENCLOSURE WP-II | | |
| TOSHIBA INTERNATIONAL CORPORATION HOUSTON, TEXAS U.S.A. | | | | | | | | | |
| 3rd ANGLE PROJ. | PREPARED BY: M.HO | DATE: 012904 | CHECKED BY: D. HENSLEY | DATE: 012904 | DRAWING NO.: | MDSL0087-06 | | REV. | 2 |



TYPICAL MOTOR PERFORMANCE DATA

Model: 4006WTAK11E-A

| HP | kW | Pole | FL RPM | Frame | Voltage | Hz | Phase | FL Amps |
|-----------|-----|------------|--------|--------|----------------|-------------|----------|--------------|
| 400 | 298 | 6 | 1175 | 5012US | 4000 | 60 | 3 | 56 |
| Enclosure | IP | Ins. Class | S.F. | Duty | NEMA Nom. Eff. | NEMA Design | kVA Code | Ambient (°C) |
| WP-II | 24 | F | 1.15 | CONT | 92.4 | - | | 40 C |

| Load | HP | kW | Amperes | Efficiency (%) | Power Factor (%) |
|--------------|--------|-------|---------|----------------|------------------|
| Full Load | 400.00 | 298.3 | 56 | 92.9 | 82.3 |
| ¾ Load | 300.00 | 223.7 | 44 | 92.9 | 78.9 |
| ½ Load | 200.00 | 149.1 | 33 | 92.2 | 70.5 |
| ¼ Load | 100.00 | 74.6 | 24 | 88.8 | 49.2 |
| No Load | | | 18.5 | | 4.0 |
| Locked Rotor | | | 343 | | 25.6 |

| Torque | | | | Rotor wk ² Inertia (lb-ft ²) |
|----------------------|-------------------------|--------------------|-----------------------|---|
| Full Load (lb-ft) | Locked Rotor (% FLT) | Pull Up (% FLT) | Break Down (% FLT) | |
| 1788 | 140 | 95 | 265 | 202.02 |

| Safe Stall Time(s) | | Sound Pressure dB(A) @ 1M | Bearings* | | Approx. Motor Weight (lbs) |
|--------------------|-----|------------------------------|-----------|------------|-------------------------------|
| Cold | Hot | | DE | NDE | |
| 31 | 16 | | 6321C3 | 6321C3 INS | 0 |

*Bearings are the only recommended spare part(s).

Motor Options:
Product Family:WP-II
Mounting:Footed,Shaft:US Shaft

| | |
|-------------|--|
| Customer | |
| Customer PO | |
| Sales Order | |
| Project # | |

Tag:

All characteristics are average expected values.

TOSHIBA INTERNATIONAL CORPORATION · HOUSTON, TEXAS U.S.A.

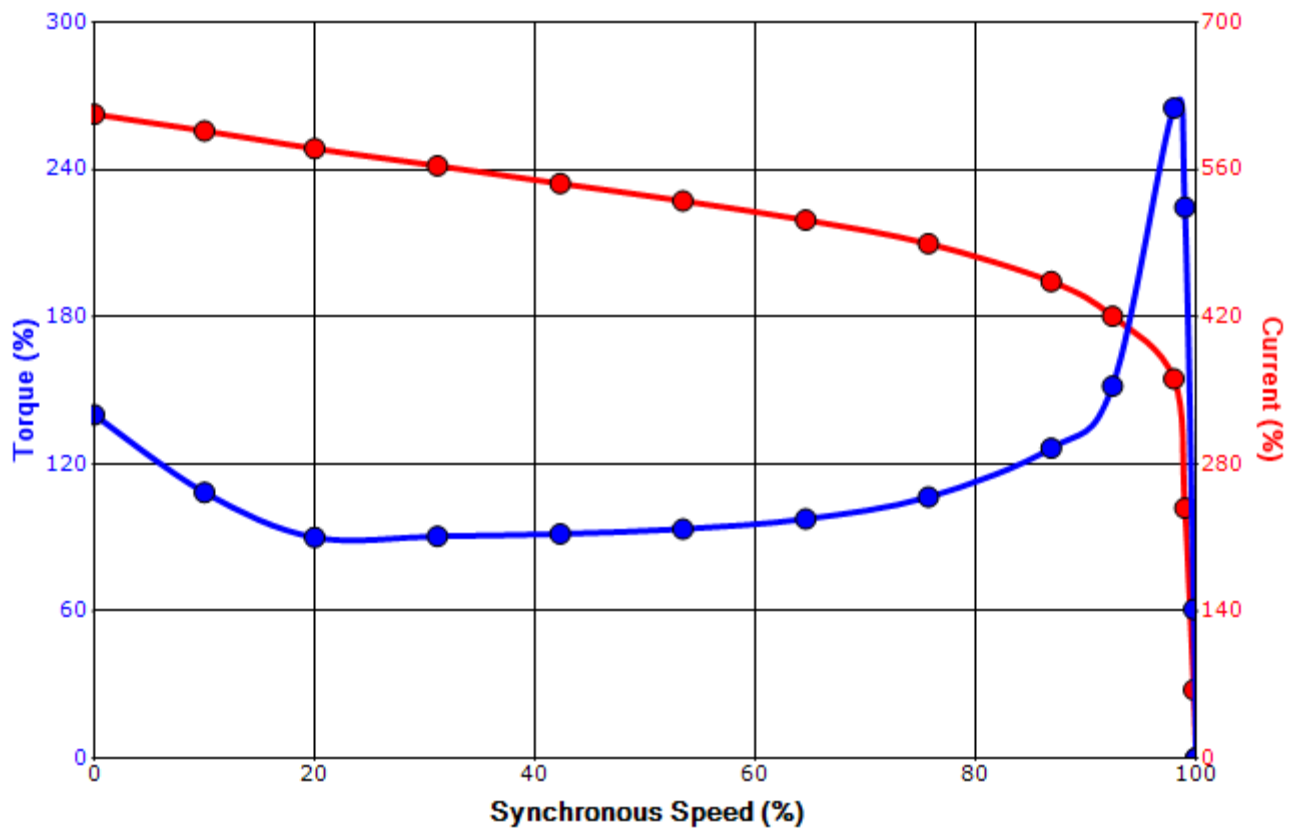
| | | | | | |
|-------------|-----------|------------------|-------------|-------------|---------------|
| Engineering | bammen | Doc. Written By | D. Suarez | Doc.# / Rev | MPCF-1119 / 0 |
| Engr. Date | 7/10/2014 | Doc. Approved By | M. Campbell | Doc. Issued | 6/8/2011 |

SPEED TORQUE/CURRENT CURVE

Model: 4006WTAK11E-A

| | | | | | | | | |
|-------------------|---|-------------------|------------------|--------|----------------|-------------|----------------|--------------|
| HP | kW | Pole | FL RPM | Frame | Voltage | Hz | Phase | FL Amps |
| 400 | 298 | 6 | 1175 | 5012US | 4000 | 60 | 3 | 56 |
| Enclosure | IP | Ins. Class | S.F. | Duty | NEMA Nom. Eff. | NEMA Design | kVA Code | Ambient (°C) |
| WP-II | 24 | F | 1.15 | CONT | 92.4 | - | | 40 C |
| Locked Rotor Amps | Rotor wk ² Inertia (lb-ft ²) | Torque | | | | Pull Up (%) | Break Down (%) | |
| | | Full Load (lb-ft) | Locked Rotor (%) | | | | | |
| 343 | 202.02 | 1788 | 140 | | 95 | 265 | | |

Design Values



| | | | |
|-------------|--|--|-----|
| Customer | | wk ² Load Inertia (lb-ft ²) | - |
| Customer PO | | Load Type | - |
| Sales Order | | Voltage (%) | 100 |
| Project # | | Accel. Time | - |

Tag:

All characteristics are average expected values.

TOSHIBA INTERNATIONAL CORPORATION · HOUSTON, TEXAS U.S.A.

| | | | | | |
|-------------|-----------|------------------|-------------|-------------|---------------|
| Engineering | bmammen | Doc. Written By | D. Suarez | Doc.# / Rev | MPCF-1121 / 0 |
| Engr. Date | 7/10/2014 | Doc. Approved By | M. Campbell | Doc. Issued | 6/8/2011 |