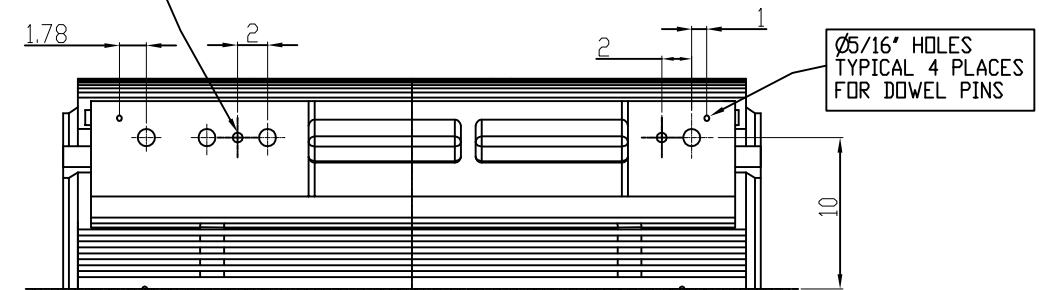


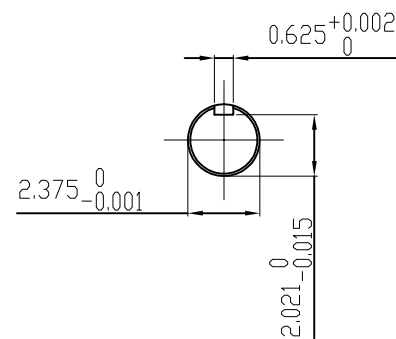
$\phi 3/4"-10$  UNC 4 PLACES FOR JACKING BOLTS



UNITS: INCHES

TECHNICAL INFORMATION

- BEARING LUBRICATION DE: MOBIL POLYREX EM  
ODE: MOBIL POLYREX EM
- BEARING TYPE DE: 6313C3  
ODE: 6313C3 INSULATED
- WINDING TEMP. DETECTORS  
NUMBER AND TYPE: 6xRTD(Pt0°C-100ohm)  
LOCATION: IN STATOR SLOT
- BEARING TEMP. DETECTORS  
NUMBER AND TYPE: \_\_\_\_\_
- SPACE HEATER 1 PHASE  
VOLTS: 120 WATTS: 240
- ROTATION: CCW VIEWED FROM NON DRIVE END  
THIS MOTOR IS UNI DIRECTIONAL
- MOTOR PAINT COLOR: GRAY
- APPROX. WEIGHT: 5000 Lbs
- ACCESSORIES:



DRAWING LIST		NO.	REVISION	BY	DATE
MAIN TERMINAL BOX 130-7622-55					
AUX TERMINAL BOX FOR					
SPACE HEATER	130-7520-50	2	GRS FROM SRI, ADD DOWELS JACKING TO INLINE	RWS	1/6/13
R.T.D.	130-7522-51	1	CHG FAB. FC FOR C.I. FC	JMP	9/24/08
THERMISTOR	N/A				
		0	FIRST ISSUE	BCS	4/24/07
PRODUCTION #	N/A	NO.	REVISION	BY	DATE

MOTOR OUTLINE FOR THREE PHASE INDUCTION MOTOR									
CUSTOMER NAME				P.O. NO.		MOTOR TAG NO.			
OUTPUT HP	POLE	VOLTAGE V	FREQUENCY Hz	FULL LOAD SPEED (min <sup>-1</sup> )		TOSHIBA MODEL NO.			
TYPE	FORM	INS. CLASS	RATING	FRAME		S.F.	ENCLOSURE		
		F	CONT.	5011USS			TEFC		
TOSHIBA INTERNATIONAL CORPORATION HOUSTON, TEXAS U.S.A.									
3rd ANGLE PROJ.	PREPARED BY:	DATE:	CHECKED BY:	DATE:	DRAWING NO.:	REV.			
	B SIDLE	4/24/07	S Johnson	4/26/07	MDSL0071-14	2			