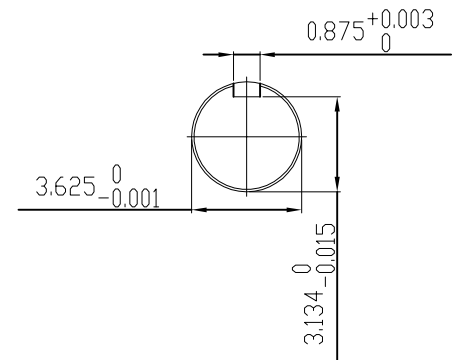


UNITS: INCHES

TECHNICAL INFORMATION

1. BEARING LUBRICATION DE: TURBINE OIL ISO VG32
ODE: TURBINE OIL ISO VG32
2. BEARING TYPE DE: M9-90 INS
ODE: M9-90 INS
3. WINDING TEMP. DETECTORS
NUMBER AND TYPE: 6xRTD(Pt0°C-100ohm)
LOCATION: IN STATOR SLOT
4. BEARING TEMP. DETECTORS
NUMBER AND TYPE: _____
5. SPACE HEATER 1 PHASE
VOLTS: 120 WATTS: 240
6. ROTATION: CCW VIEWED FROM NON DRIVE END
THIS MOTOR IS BI DIRECTIONAL
7. MOTOR PAINT COLOR: GRAY
8. APPROX. WEIGHT: 5000 Lbs
9. ACCESSORIES:



DRAWING LIST					MOTOR OUTLINE FOR THREE PHASE INDUCTION MOTOR							
MAIN TERMINAL BOX 130-7622-55					CUSTOMER NAME		P.O. NO.		MOTOR TAG NO.			
AUX TERMINAL BOX FOR					OUTPUT HP	POLE	VOLTAGE V	FREQUENCY Hz	FULL LOAD SPEED (min ⁻¹)	TOSHIBA MODEL NO.		
SPACE HEATER	130-7520-50	1	JACKING TO INLINE ADD DOWELS	RWS	1/6/14	TYPE	FORM	INS. CLASS F	RATING CONT.	FRAME 5011US	S.F.	ENCLOSURE TEFC
R.T.D.	130-7522-51					TOSHIBA INTERNATIONAL CORPORATION HOUSTON, TEXAS U.S.A.						
THERMISTOR	N/A					0	FIRST ISSUE	BCS	7/15/09			
PRODUCTION #	N/A	NO.	REVISION	BY	DATE	3rd ANGLE PROJ. B SIDLE	PREPARED BY: EDDIE R.	DATE: 7/15/09	CHECKED BY: EDDIE R.	DATE: 7/16/09	DRAWING NO.: MDSL0071-21	REV. 1