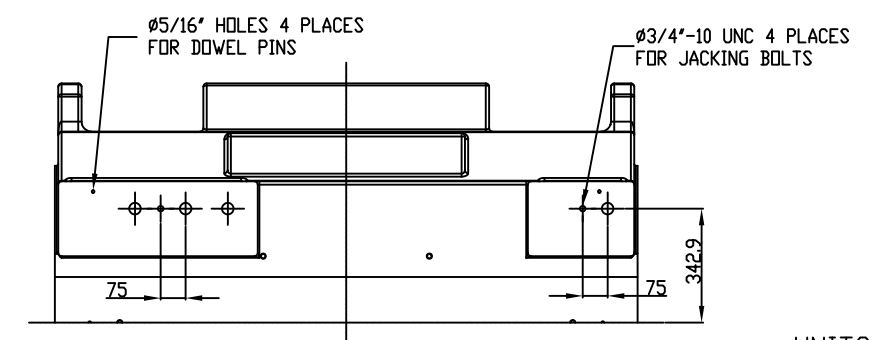
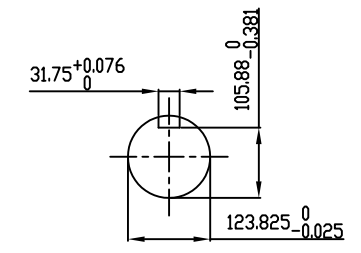


TECHNICAL INFORMATION

- 1. BEARING LUBRICATION DE: MOBIL POLYREX EM OR EQUIVALENT
ODE: MOBIL POLYREX EM OR EQUIVALENT
- 2. BEARING TYPE DE: 6328 INS
ODE: 6328 INS
- 3. WINDING TEMP. DETECTORS
NUMBER AND TYPE: 6xRTD(Pt0°C-100ohm)
LOCATION: IN STATOR SLOT
- 4. BEARING TEMP. DETECTORS
NUMBER AND TYPE: _____
- 5. SPACE HEATER 1 PHASE
VOLTS: 120 WATTS: 800
- 6. ROTATION: CCW VIEWED FROM NON DRIVE END
THIS MOTOR IS UNI DIRECTIONAL
- 7. MOTOR PAINT COLOR: GRAY
- 8. APPROX. WEIGHT: 6,450 Kg
- 9. ACCESORIES:

**PRELIMINARY
FOR QUOTATION ONLY
DO NOT BUILD
FROM THIS DRAWING**

TOSHIBA INTERNATIONAL CORPORATION
RESERVES THE RIGHT TO MAKE TECHNICAL
IMPROVEMENT AND DATA CHANGES WITHOUT NOTICE



UNITS: MM

DRAWING LIST	
MAIN TERMINAL BOX	130P-7550-68
AUX TERMINAL BOX FOR	
SPACE HEATER	130P-7520-50
R.T.D.	130P-7522-51
THERMISTOR	N/A
PRODUCTION #	N/A

0	FIRST ISSUE	ME	7/1/15
NO.	REVISION	BY	DATE

MOTOR OUTLINE FOR THREE PHASE INDUCTION MOTOR						
CUSTOMER NAME			P.O. NO.		MOTOR TAG NO.	
OUTPUT HP	POLE	VOLTAGE V	FREQUENCY Hz	FULL LOAD SPEED (min ⁻¹)	TOSHIBA MODEL NO.	
TYPE	FORM	INS. CLASS	RATING CONT.	FRAME	S.F.	ENCLOSURE
	6	F		6810US		TEAAC
TOSHIBA INTERNATIONAL CORPORATION HOUSTON, TEXAS U.S.A.						
3rd ANGLE PROJ.	PREPARED BY:	DATE:	CHECKED BY:	DATE:	DRAWING NO.:	REV.
	M.Easterbrook	7/1/15	S.Johnson	7/15/15	MDSL0077-63	0