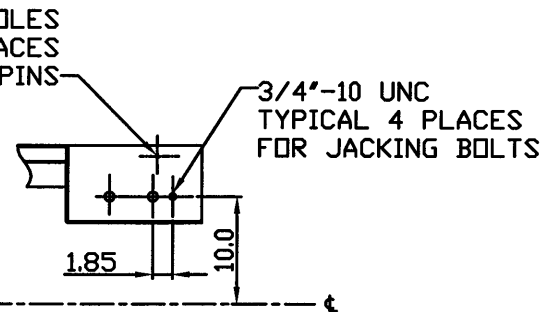


**TECHNICAL INFORMATION**

1. BEARING LUBRICATION DE: TURBINE OIL ISO VG32  
ODE: TURBINE OIL ISO VG32
2. BEARING TYPE DE: M9-90-INS  
ODE: M9-90-INS
3. WINDING TEMP. DETECTORS  
NUMBER AND TYPE: 6xRTD(PtO°C-100ohm)  
LOCATION: IN STATOR SLOT
4. BEARING TEMP. DETECTORS  
NUMBER AND TYPE: \_\_\_\_\_
5. SPACE HEATER 1 PHASE  
VOLTS: 120 WATTS: 400
6. ROTATION: CCW VIEWED FROM NON DRIVE END  
THIS MOTOR IS UNI DIRECTIONAL
7. MOTOR PAINT COLOR: \_\_\_\_\_
8. APPROX. WEIGHT: 5100 Lbs
9. ACCESORIES: \_\_\_\_\_

DRAWING LIST				
MAIN TERMINAL BOX				
AUX TERMINAL BOX FOR				
SPACE HEATER				
R.T.D.				
THERMISTOR				
	0	FIRST ISSUE	TZ	3/8/05
PRODUCTION #	NO.	REVISION	BY	DATE



MOTOR OUTLINE FOR THREE PHASE INDUCTION MOTOR						
CUSTOMER NAME			P.O. NO.		MOTOR TAG NO.	
OUTPUT HP	POLE	VOLTAGE	FREQUENCY	FULL LOAD SPEED	TOSHIBA MODEL NO.	
	2	2300/4000 V	60 Hz	(min <sup>-1</sup> )		
TYPE	FORM	INS. CLASS	RATING	FRAME	S.F.	ENCLOSURE
		F	CONT.	5011/12	1.15	WP-II
TOSHIBA INTERNATIONAL CORPORATION HOUSTON, TEXAS U.S.A.						
3rd ANGLE PROJ.	PREPARED BY:	DATE:	CHECKED BY:	DATE:	DRAWING NO.:	REV.
	T. ZIEBRO	3/8/05	<i>Yntlo</i>	<i>Yntlo</i>	MDSL0087-07	0