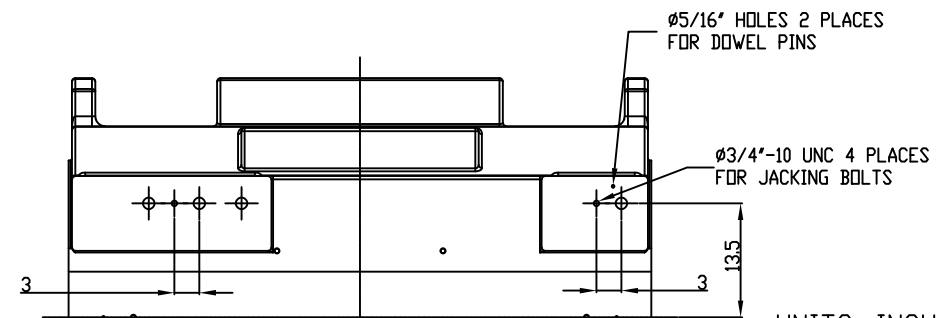
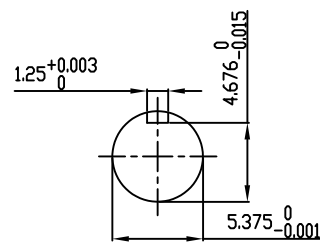


**TECHNICAL INFORMATION**

1. BEARING LUBRICATION DE: TURBINE OIL ISO VG32  
ODE: TURBINE OIL ISO VG32
2. BEARING TYPE DE: M11-125 INS  
ODE: M11-125 INS
3. WINDING TEMP. DETECTORS  
NUMBER AND TYPE: 6xRTD(Pt0°C-100ohm)  
LOCATION: IN STATOR SLOT
4. BEARING TEMP. DETECTORS  
NUMBER AND TYPE: \_\_\_\_\_
5. SPACE HEATER 1 PHASE  
VOLTS: 120 WATTS: 800
6. ROTATION: CCW VIEWED FROM NON DRIVE END  
THIS MOTOR IS BI DIRECTIONAL
7. MOTOR PAINT COLOR: GRAY
8. APPROX. WEIGHT: 14,000 Lbs
9. ACCESORIES: \_\_\_\_\_

**PRELIMINARY  
FOR QUOTATION ONLY  
DO NOT BUILD  
FROM THIS DRAWING**



UNITS: INCHES

DRAWING LIST	
<b>MAIN TERMINAL BOX</b> 130P-7550-68	
<b>AUX TERMINAL BOX FOR</b>	
SPACE HEATER	130-7520-50
R.T.D.	130-7522-51
THERMISTOR	N/A
PRODUCTION #	N/A

4	CHANGE DOWEL PIN HOLE FROM 4 PLACES CHANGE AUX BOX DIM FROM 13	HL	3/18/20
3	JACKING TO INLINE	RWS	1/3/14
2	UPDATE TOP HAT EXHAUST WINDOWS	JMP	03/01/12
1	CHG. SPACE HEATER WATTS FROM 400	JMP	10/12/11
0	FIRST ISSUE	JMP	10/04/11
NO.	REVISION	BY	DATE

MOTOR OUTLINE FOR THREE PHASE INDUCTION MOTOR						
CUSTOMER NAME			P.O. NO.		MOTOR TAG NO.	
OUTPUT HP	POLE 8	VOLTAGE V	FREQUENCY Hz	FULL LOAD SPEED (min <sup>-1</sup> )	TOSHIBA MODEL NO.	
TYPE	FORM	INS. CLASS F	RATING CONT.	FRAME 6810US	S.F.	ENCLOSURE WP-II
TOSHIBA INTERNATIONAL CORPORATION HOUSTON, TEXAS U.S.A.						
3rd ANGLE PROJ.	PREPARED BY: J.PINON	DATE: 10/04/11	CHECKED BY: B SIDLE	DATE: 10/4/11	DRAWING NO.: MDSL0087-70	REV. 4

**TYPICAL MOTOR PERFORMANCE DATA**

Model: 9008WTQL11E-C

HP	kW	Pole	FL RPM	Frame	Voltage	Hz	Phase	FL Amps
900	671	8	890	6810US	4000	60	3	121
Enclosure	IP	Ins. Class	S.F.	Duty	NEMA Nom. Eff.	NEMA Design	kVA Code	Ambient (°C)
WP-II	24	F	1.15	CONT	95.0	-		40 C

Load	HP	kW	Amperes	Efficiency (%)	Power Factor (%)
Full Load	900.00	671.1	120	95.0	84.3
¾ Load	675.00	503.3	93	94.7	82.0
½ Load	450.00	335.6	68	93.6	75.2
¼ Load	225.00	167.8	48	89.8	55.1
No Load			38.1		4.0
Locked Rotor			773		13.5

Torque				Rotor wk <sup>2</sup> Inertia (lb-ft <sup>2</sup> )
Full Load (lb-ft)	Locked Rotor (% FLT)	Pull Up (% FLT)	Break Down (% FLT)	
5311	65	75	225	1871.52

Safe Stall Time(s)		Sound Pressure dB(A) @ 1M	Bearings*		Approx. Motor Weight (lbs)
Cold	Hot		DE	NDE	
70	46		M11-125 INS	M11-125 INS	14000

\*Bearings are the only recommended spare part(s).

**Motor Options:**  
Product Family:WP-II  
Mounting:Footed,Shaft:US Shaft

Customer	
Customer PO	
Sales Order	
Project #	

Tag:

All characteristics are average expected values.

**TOSHIBA INTERNATIONAL CORPORATION · HOUSTON, TEXAS U.S.A.**

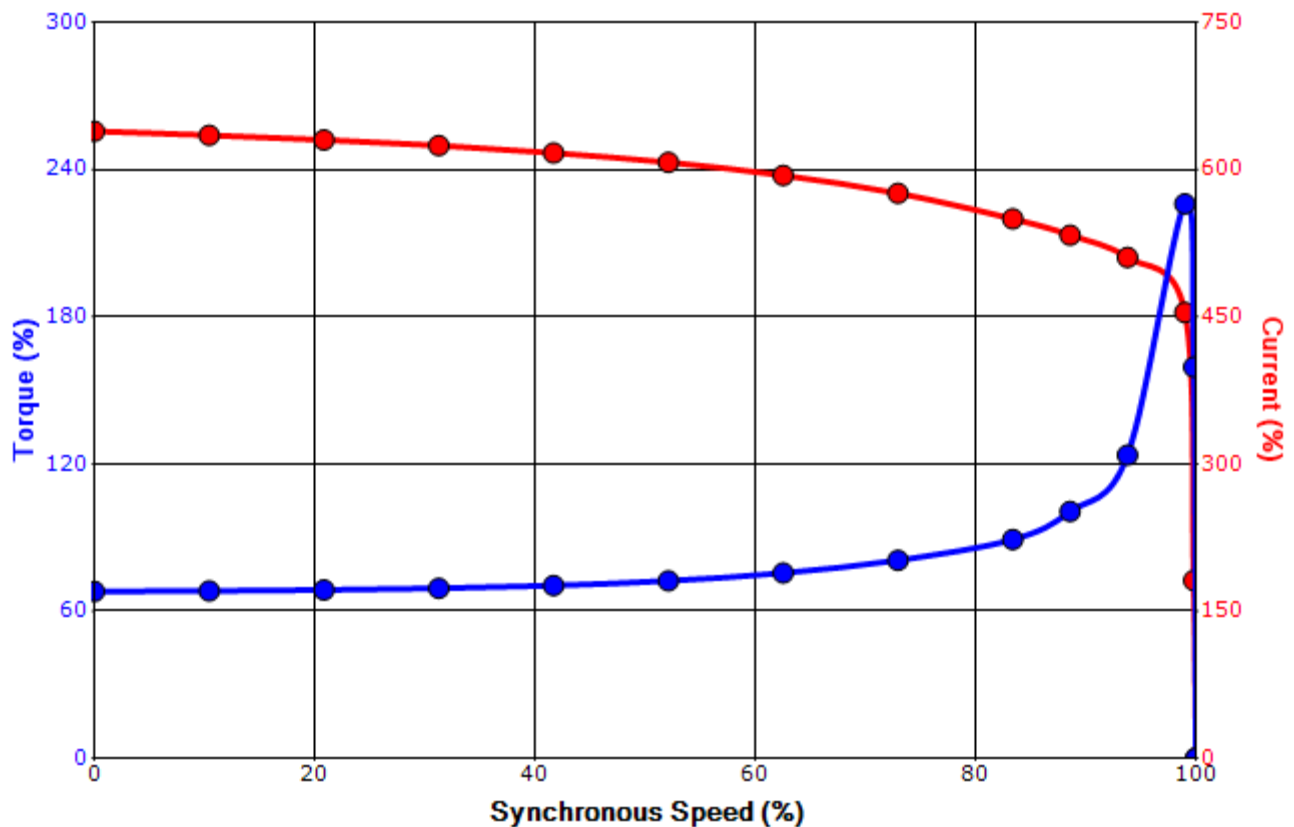
Engineering	bmmammen	Doc. Written By	D. Suarez	Doc.# / Rev	MPCF-1119 / 0
Engr. Date	7/10/2014	Doc. Approved By	M. Campbell	Doc. Issued	6/8/2011

**SPEED TORQUE/CURRENT CURVE**

Model: 9008WTQL11E-C

HP	kW	Pole	FL RPM	Frame	Voltage	Hz	Phase	FL Amps
900	671	8	890	6810US	4000	60	3	121
Enclosure	IP	Ins. Class	S.F.	Duty	NEMA Nom. Eff.	NEMA Design	kVA Code	Ambient (°C)
WP-II	24	F	1.15	CONT	95.0	-		40 C
Locked Rotor Amps	Rotor wk <sup>2</sup> Inertia (lb-ft <sup>2</sup> )	Torque						Break Down (%)
		Full Load (lb-ft)	Locked Rotor (%)	Pull Up (%)				
773	1871.52	5311	65	75			225	

**Design Values**



Customer		wk <sup>2</sup> Load Inertia (lb-ft <sup>2</sup> )	-
Customer PO		Load Type	-
Sales Order		Voltage (%)	100
Project #		Accel. Time	-

Tag:

All characteristics are average expected values.

**TOSHIBA INTERNATIONAL CORPORATION · HOUSTON, TEXAS U.S.A.**

Engineering	bmammen	Doc. Written By	D. Suarez	Doc.# / Rev	MPCF-1121 / 0
Engr. Date	7/10/2014	Doc. Approved By	M. Campbell	Doc. Issued	6/8/2011