

CUST. NAME:

PROJECT NO.:

P.O. NUMBER:

DESCRIPTION: S11A004EE ~ S11A150EE
 S112004EE ~ S112150EE
 S114007EE ~ S114150EE
 S116015EE ~ S116150EE
 S11 CB, IBYP 208/230/460V/600V 0.50~20HP

FINAL

PRELIMINARY

FOR APPROVAL

Note: Final Engineering and Manufacturing will proceed upon receipt of final approval

- NOT APPROVED AS NOTED - RESUBMIT DRAWINGS FOR APPROVAL. DO NOT PROCEED WITH FINAL ENGINEERING OR MANUFACTURING.
- APPROVED AS NOTED - PROCEED WITH FINAL ENGINEERING AND MANUFACTURING.
- APPROVED AS SUBMITTED - PROCEED WITH FINAL ENGINEERING AND MANUFACTURING.

APPROVAL BY:

Initial

Date

NO	DRAWING NO	REV	DRAWING DESCRIPTION
00	I608H000	1	DRAWING LIST
01	----	--	-----
02	I308H002	1	THREE-LINE DIAGRAM
03	----	--	-----
04	----	--	-----
05	----	--	-----
06	I808H006	0	INVERTER/BYPASS CIRCUIT
07	----	--	-----
08	----	--	-----
09	----	--	-----
10	----	--	-----
11	----	--	-----
12	----	--	-----
13	I808H013	0	S11 LOGIC INTERFACE
14	----	--	-----
15	----	--	-----

NO	DRAWING NO	REV	DRAWING DESCRIPTION
16	I808H016	1	RATING SHEET
17	----	--	-----
18	I808H018	0	LEGEND
19	I108H019	1	OUTLINE DIAGRAM
20	----	--	-----
21	----	--	-----
22	I908H022	1	WIRING DIAGRAM <u>208/230V</u> : 0.50-10HP <u>460V</u> : 1-20HP <u>600V</u> : 2-20HP
23	----	--	-----
24	I908H024	1	WIRING DIAGRAM <u>208/230V</u> : 15-20HP
25	----	--	-----
26	----	--	-----
27	----	--	-----
28	----	--	-----
29	----	--	-----
30	----	--	-----
31	----	--	-----

4					
3					
2					
1	05/24/05	ADD 600V RATING	jedwards		
0	09/30/04	FIRST ISSUE	CMorales	CM	GBF
REV	DATE	DESCRIPTION	BY	CHK	APPR

TOSHIBA
 TOSHIBA INTERNATIONAL CORPORATION
 MADE IN HOUSTON, TEXAS U.S.A.

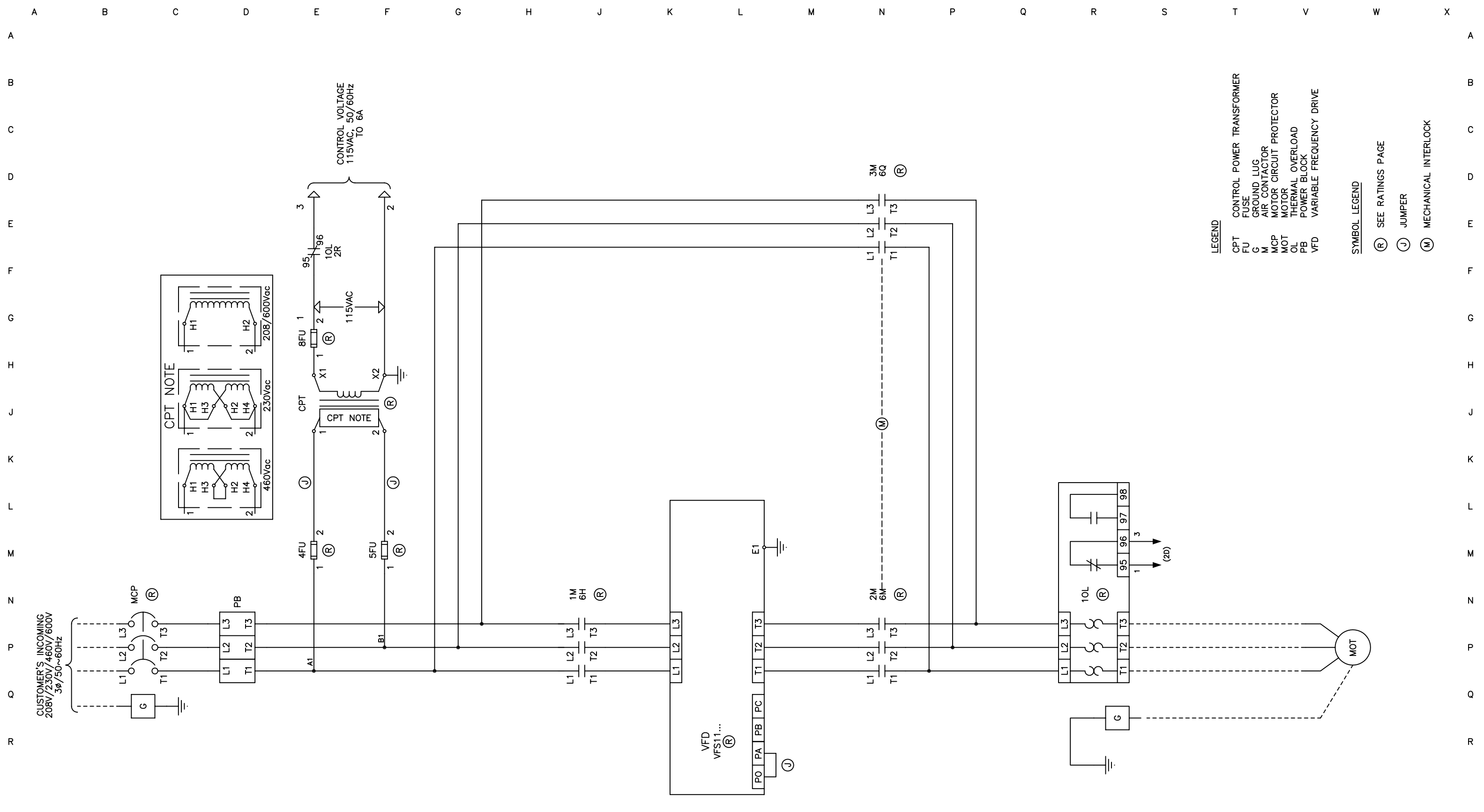
THIS MATERIAL IS THE EXCLUSIVE PROPERTY OF TOSHIBA INTERNATIONAL CORPORATION AND SHALL NOT BE REPRODUCED, USED, OR DISCLOSED TO OTHERS UNLESS PRIOR WRITTEN AUTHORIZATION IS OBTAINED.

TITLE: DRAWING LIST

CUSTOMER: _____ PROJECT NUMBER: _____

REVISION: 1 SCALE: 1.0=1.5

DRAWING NUMBER: 1608H000



4					
3					
2					
1	05/24/05	ADD 600V RATING	jedwards		
0	09/30/04	FIRST ISSUE	CMorales	CM	GBF
REV	DATE	DESCRIPTION	BY	CHK	APPR

TOSHIBA
TOSHIBA INTERNATIONAL CORPORATION
MADE IN HOUSTON, TEXAS U.S.A.

THIS MATERIAL IS THE EXCLUSIVE PROPERTY OF TOSHIBA INTERNATIONAL CORPORATION AND SHALL NOT BE REPRODUCED, USED, OR DISCLOSED TO OTHERS UNLESS PRIOR WRITTEN AUTHORIZATION IS OBTAINED.

TITLE:
THREE-LINE DIAGRAM

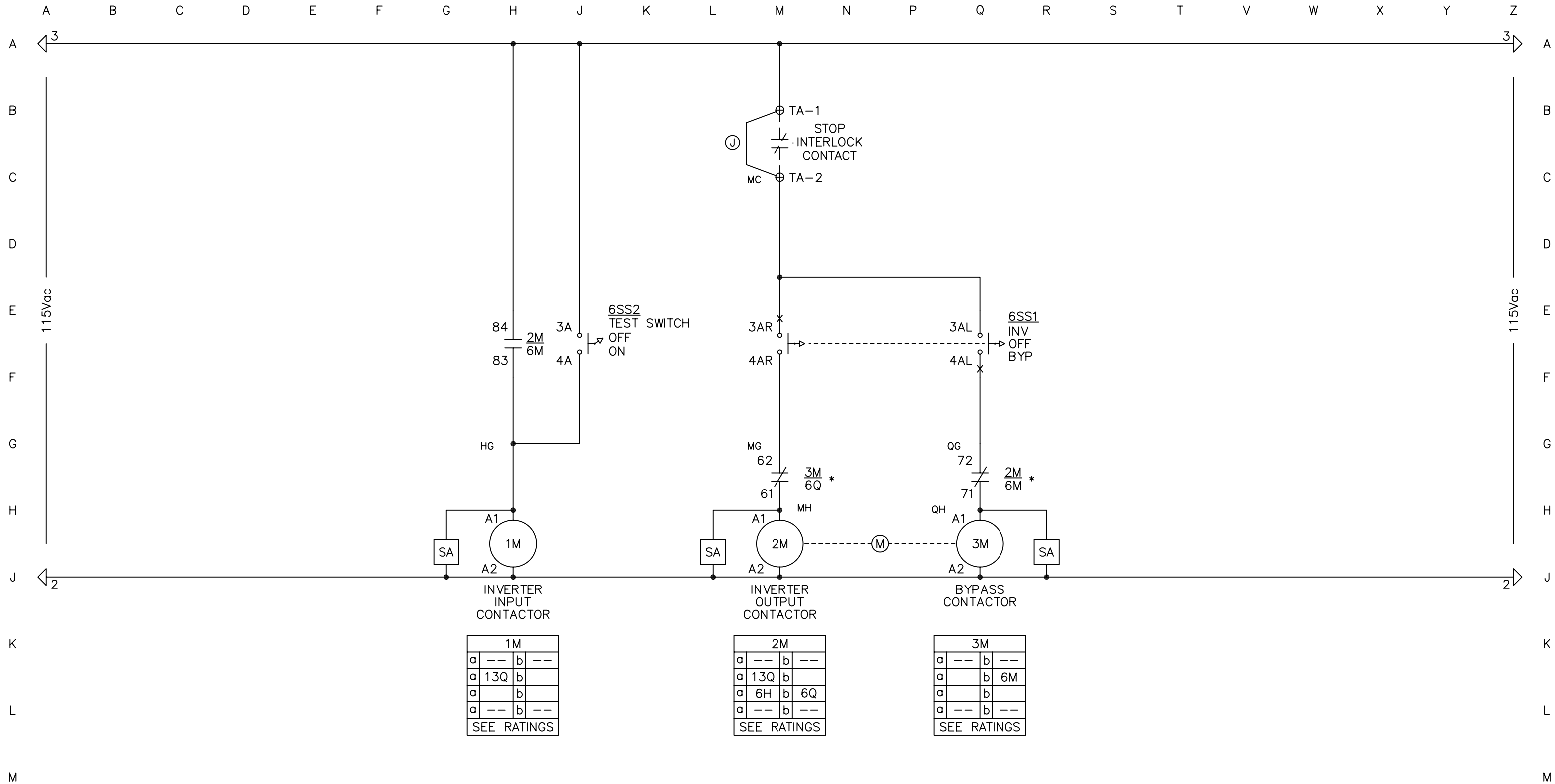
CUSTOMER:

PROJECT NUMBER:

REVISION: 1

SCALE: 1.0=2.0

DRAWING NUMBER:
1308H002



1M	
a	---
a	13Q
a	b
a	---
SEE RATINGS	

2M	
a	---
a	13Q
a	6H
a	---
SEE RATINGS	

3M	
a	---
a	b
a	6M
a	b
a	---
SEE RATINGS	

*NOTE: WHEN USING LC1D09-LC1D32 CONTACTORS, JUMPER KITS ARE INSTALLED CHANGING 3M-62 AND 3M-61 TO 3M-22 AND 3M-21, AND 2M-72 AND 2M-71 TO 2M-22 AND 2M-21

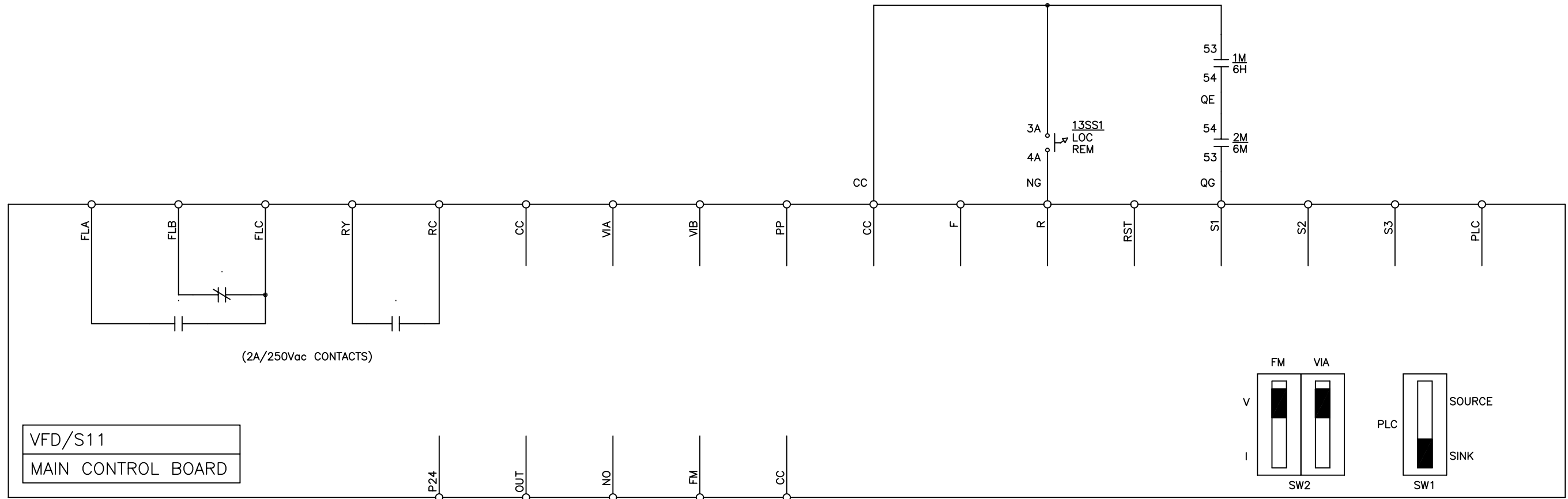
4					
3					
2					
1					
0	09/30/04	FIRST ISSUE	CMorales		
REV	DATE	DESCRIPTION	BY	CHK	APPR

TOSHIBA
TOSHIBA INTERNATIONAL CORPORATION
 MADE IN HOUSTON, TEXAS U.S.A.
 THIS MATERIAL IS THE EXCLUSIVE PROPERTY OF TOSHIBA INTERNATIONAL CORPORATION AND SHALL NOT BE REPRODUCED, USED, OR DISCLOSED TO OTHERS UNLESS PRIOR WRITTEN AUTHORIZATION IS OBTAINED.

TITLE: INVERTER/BYPASS CIRCUIT
 CUSTOMER:
 PROJECT NUMBER:

REVISION: 0
 SCALE: 1.0=1.5
 DRAWING NUMBER: 1808H006

A B C D E F G H J K L M N P Q R S T V W



NOTE: SEE S11 INVERTER MANUAL FOR TERMINAL FUNCTIONS.

4					
3					
2					
1					
0	09/30/04	FIRST ISSUE	CMorales		
REV	DATE	DESCRIPTION	BY	CHK	APPR

TOSHIBA
TOSHIBA INTERNATIONAL CORPORATION
 MADE IN HOUSTON, TEXAS U.S.A.
 THIS MATERIAL IS THE EXCLUSIVE PROPERTY OF TOSHIBA INTERNATIONAL CORPORATION AND SHALL NOT BE REPRODUCED, USED, OR DISCLOSED TO OTHERS UNLESS PRIOR WRITTEN AUTHORIZATION IS OBTAINED.

TITLE: S11 LOGIC INTERFACE CIRCUIT
 CUSTOMER: PROJECT NUMBER: DRAWING NUMBER: 1808H013

REVISION: 0 SCALE: 1.0=2.0

VOLTAGE	HP	VFD	OL (A)	MCP (A)	1M,2M,3M	CPT (VA)	4,5FU	8FU
208V	1/2	VFS11-2004	1.6~2.5	7	LC1D09	100	2.0A/600V	1.0A/250V
	1	VFS11-2007	4~6	7	LC1D09	100	2.0A/600V	1.0A/250V
	2	VFS11-2015	5.5~8	15	LC1D09	100	2.0A/600V	1.0A/250V
	3	VFS11-2022	9~13	15	LC1D12	100	2.0A/600V	1.0A/250V
	5	VFS11-2037	12~18	30	LC1D18	100	2.0A/600V	1.0A/250V
	7.5	VFS11-2055	17~25	50	LC1D25	100	2.0A/600V	1.0A/250V
	10	VFS11-2075	25~32	50	LC1D32	100	2.0A/600V	1.0A/250V
	15	VFS11-2110	37~50	75	LC1D50	150	3.0A/600V	1.4A/250V
20	VFS11-2150	48~65	75	LC1D65	150	3.0A/600V	1.4A/250V	

VOLTAGE	HP	VFD	OL (A)	MCP (A)	1M,2M,3M	CPT (VA)	4,5FU	8FU
230V	1/2	VFS11-2004	1.6~2.5	7	LC1D09	100	1.8A/600V	1.0A/250V
	1	VFS11-2007	4~6	7	LC1D09	100	1.8A/600V	1.0A/250V
	2	VFS11-2015	5.5~8	15	LC1D09	100	1.8A/600V	1.0A/250V
	3	VFS11-2022	7~10	15	LC1D12	100	1.8A/600V	1.0A/250V
	5	VFS11-2037	12~18	30	LC1D18	100	1.8A/600V	1.0A/250V
	7.5	VFS11-2055	17~25	30	LC1D25	100	1.8A/600V	1.0A/250V
	10	VFS11-2075	25~32	50	LC1D32	100	1.8A/600V	1.0A/250V
	15	VFS11-2110	37~50	75	LC1D50	150	2.5A/600V	1.4A/250V
20	VFS11-2150	48~65	75	LC1D65	150	2.5A/600V	1.4A/250V	

VOLTAGE	HP	VFD	OL (A)	MCP (A)	1M,2M,3M	CPT (VA)	4,5FU	8FU
460V	1	VFS11-4007	1.6~2.5	3	LC1D09	100	1A/600V	1A/250V
	2	VFS11-4015	2.5~4	7	LC1D09	100	1A/600V	1A/250V
	3	VFS11-4022	4~6	7	LC1D09	100	1A/600V	1A/250V
	5	VFS11-4037	5.5~8	15	LC1D09	100	1A/600V	1A/250V
	7.5	VFS11-4055	9~13	15	LC1D12	100	1A/600V	1A/250V
	10	VFS11-4075	12~18	30	LC1D18	100	1A/600V	1A/250V
	15	VFS11-4110	17~25	30	LC1D25	100	1A/600V	1A/250V
	20	VFS11-4150	23~28	50	LC1D32	100	1A/600V	1A/250V

VOLTAGE	HP	VFD	OL (A)	MCP (A)	1M,2M,3M	CPT (VA)	4,5FU	8FU
600V	2	VFS11-6015	2.5~4	7	LC1D09	100	1A/600V	1A/250V
	3	VFS11-6022	2.5~4	7	LC1D09	100	1A/600V	1A/250V
	5	VFS11-6037	5.5~8	15	LC1D09	100	1A/600V	1A/250V
	7.5	VFS11-6055	7~10	15	LC1D09	100	1A/600V	1A/250V
	10	VFS11-6075	9~13	15	LC1D12	100	1A/600V	1A/250V
	15	VFS11-6110	12~18	30	LC1D18	100	1A/600V	1A/250V
	20	VFS11-6150	17~25	30	LC1D25	100	1A/600V	1A/250V

4					
3					
2					
1	05/24/05	ADD 600V RATING	jedwards		
0	09/30/04	FIRST ISSUE	CMorales	CM	GBF
REV	DATE	DESCRIPTION	BY	CHK	APPR

TOSHIBA
TOSHIBA INTERNATIONAL CORPORATION
MADE IN HOUSTON, TEXAS U.S.A.

THIS MATERIAL IS THE EXCLUSIVE PROPERTY OF TOSHIBA INTERNATIONAL CORPORATION AND SHALL NOT BE REPRODUCED, USED, OR DISCLOSED TO OTHERS UNLESS PRIOR WRITTEN AUTHORIZATION IS OBTAINED.

TITLE:
RATING SHEET

CUSTOMER:

PROJECT NUMBER:

REVISION:

1

SCALE:

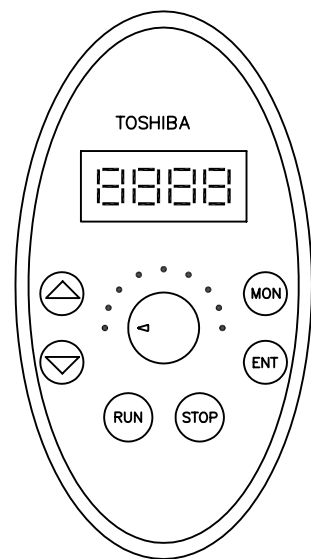
1.0=1.5

DRAWING NUMBER:

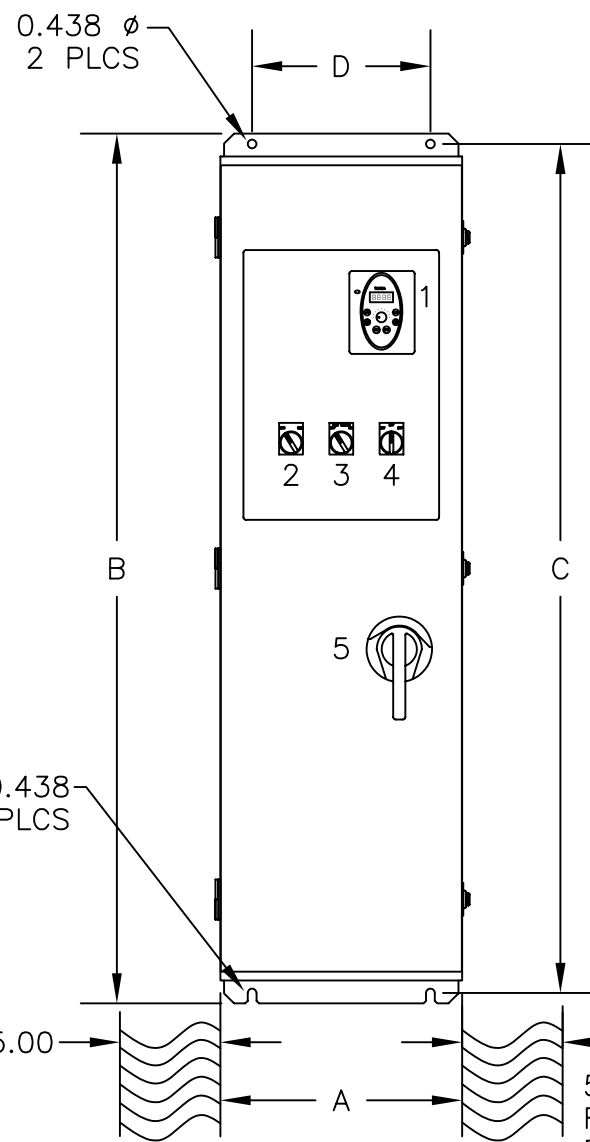
1808H016

DEVICE LEGEND

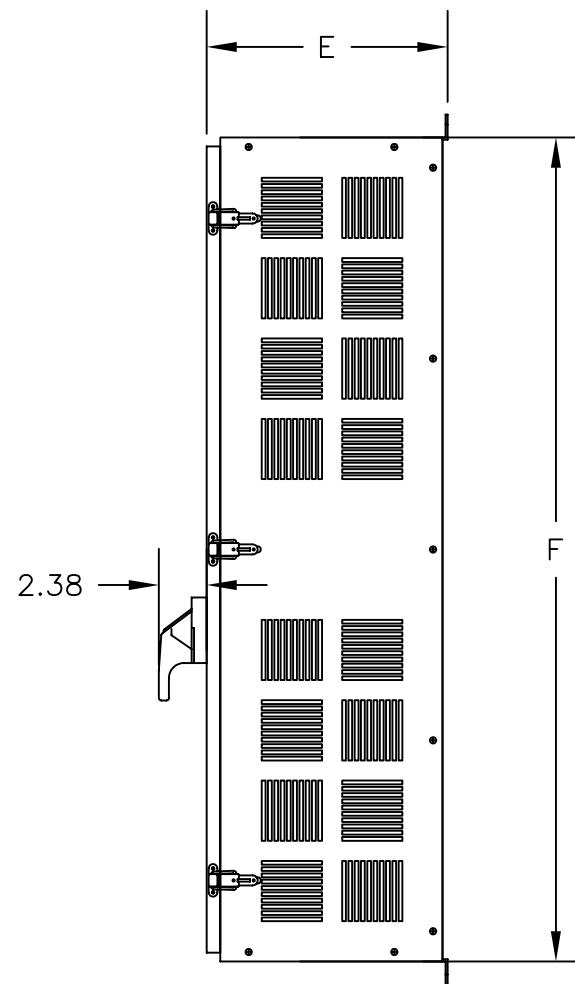
1. S11 OPERATOR KEYPAD
2. "LOC/REM" SWITCH
3. TEST SWITCH OFF/ON
4. "INVERTER/OFF/BYPASS" SELECTOR SWITCH
5. CIRCUIT DISCONNECT



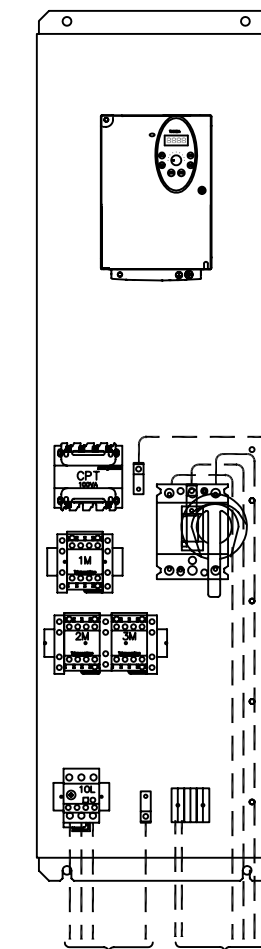
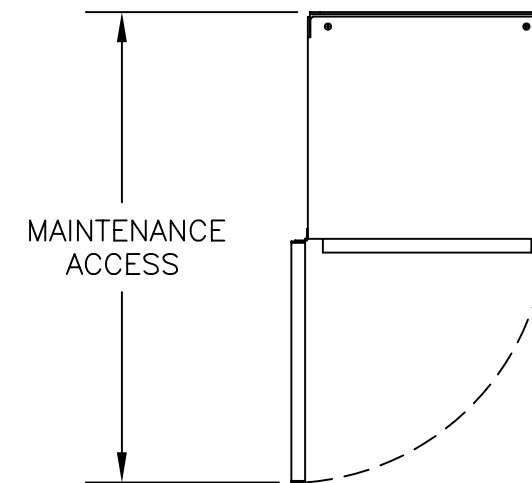
S11 KEYPAD DETAIL



FRONT VIEW



RIGHT SIDE VIEW



TO CUSTOMER MOTOR INCOMING TYPICAL SUBPANEL

HP RATING	208/230V						APPROX. WT. lbs.	MAINT. ACCESS
	A	B	C	D	E	F		
1/2	12.00	43.29	42.25	8.88	11.99	41.00	70	23.50
1	12.00	43.29	42.25	8.88	11.99	41.00	70	23.50
2	12.00	43.29	42.25	8.88	11.99	41.00	70	23.50
3	12.00	43.29	42.25	8.88	11.99	41.00	75	23.50
5	12.00	43.29	42.25	8.88	11.99	41.00	75	23.50
7.5	12.00	43.29	42.25	8.88	11.99	41.00	85	23.50
10	12.00	43.29	42.25	8.88	11.99	41.00	85	23.50
15	18.00	48.29	47.25	11.88	16.00	46.12	140	33.31
20	18.00	48.29	47.25	11.88	16.00	46.12	140	33.31

HP RATING	460/600V						APPROX. WT. lbs.	MAINT. ACCESS
	A	B	C	D	E	F		
1	12.00	43.29	42.25	8.88	11.99	41.00	70	23.50
2	12.00	43.29	42.25	8.88	11.99	41.00	70	23.50
3	12.00	43.29	42.25	8.88	11.99	41.00	75	23.50
5	12.00	43.29	42.25	8.88	11.99	41.00	75	23.50
7.5	12.00	43.29	42.25	8.88	11.99	41.00	85	23.50
10	12.00	43.29	42.25	8.88	11.99	41.00	85	23.50
15	18.00	48.29	47.25	11.88	16.00	46.12	150	33.31
20	18.00	48.29	47.25	11.88	16.00	46.12	150	33.31

5" CLEARANCE REQUIRED BOTH SIDES FOR AIR CIRCULATION.

REV	DATE	DESCRIPTION	BY	CHK	APPR
4					
3					
2					
1	05/24/05	ADD 600V RATING	jedwards		
0	09/30/04	FIRST ISSUE	CMorales	CM	GBF

TOSHIBA
TOSHIBA INTERNATIONAL CORPORATION
MADE IN HOUSTON, TEXAS U.S.A.

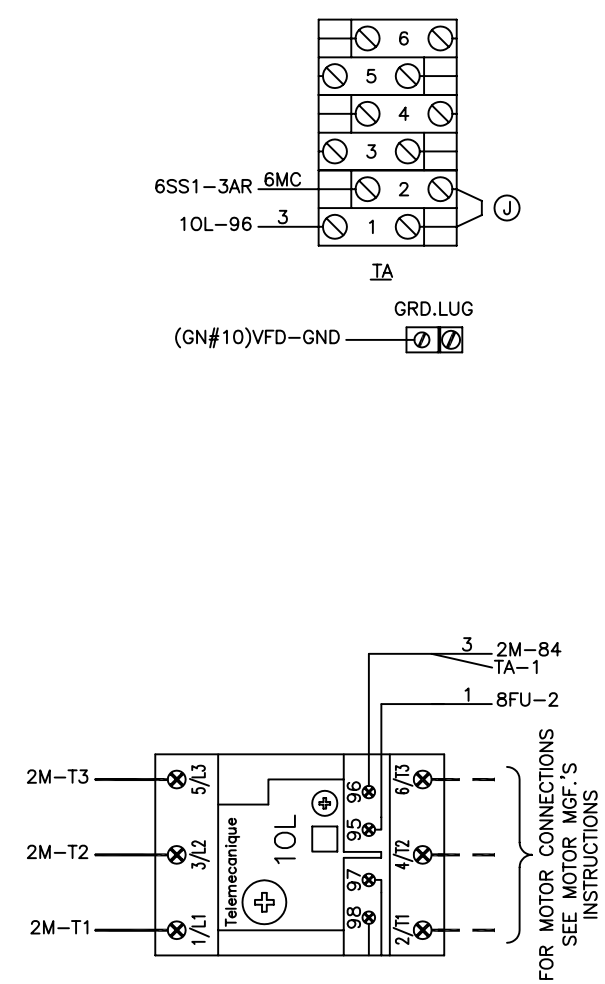
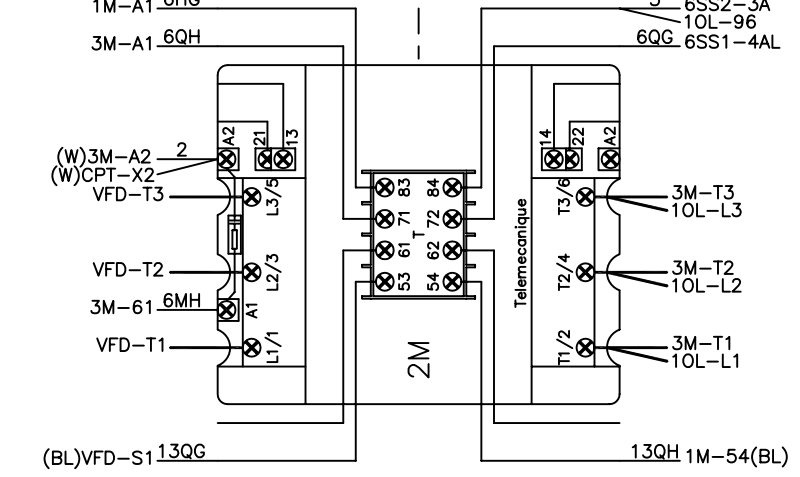
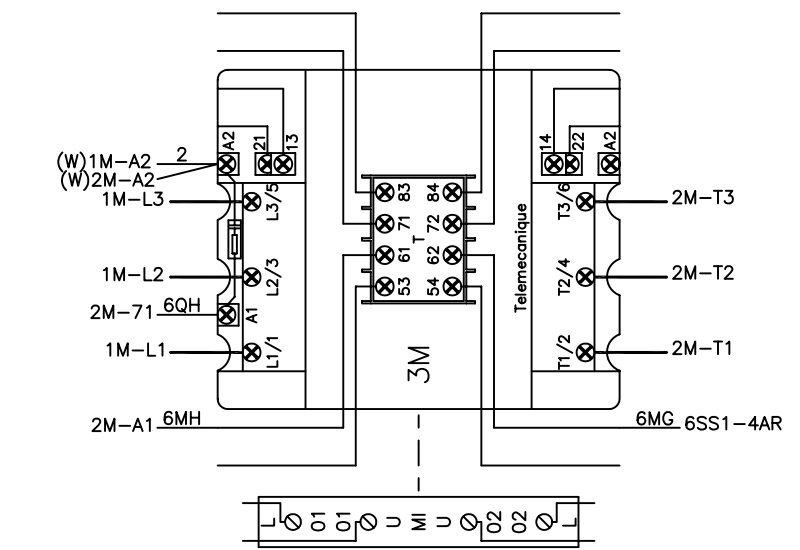
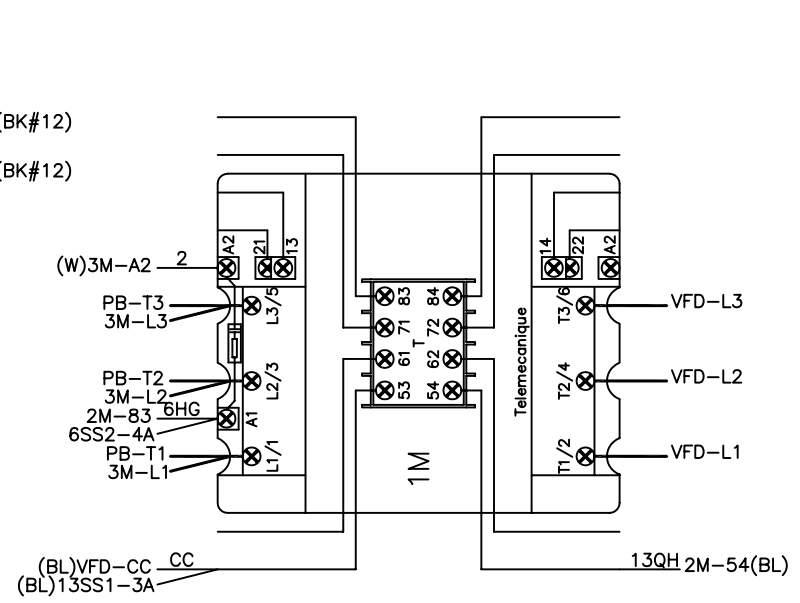
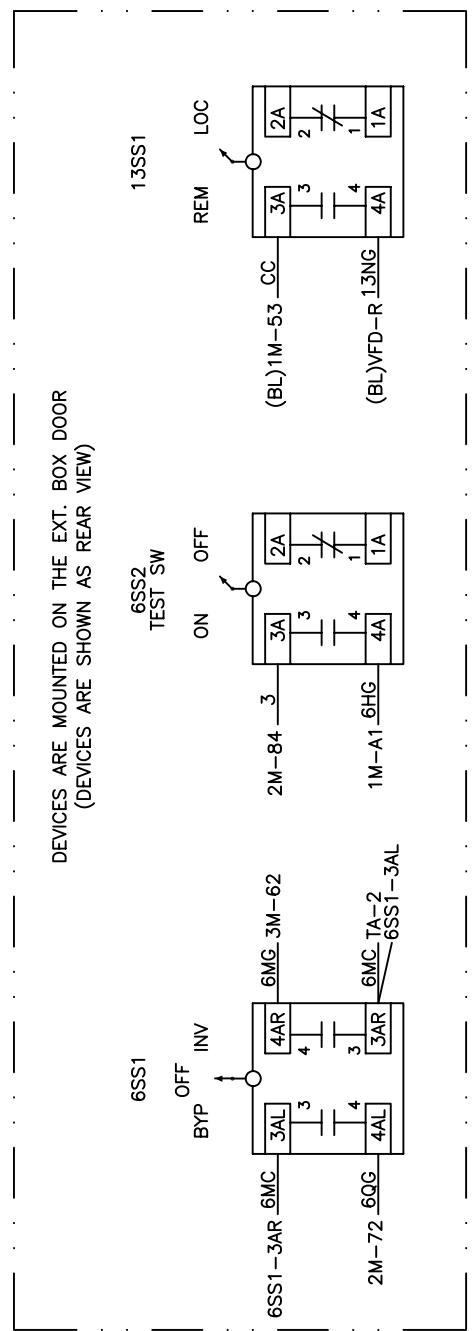
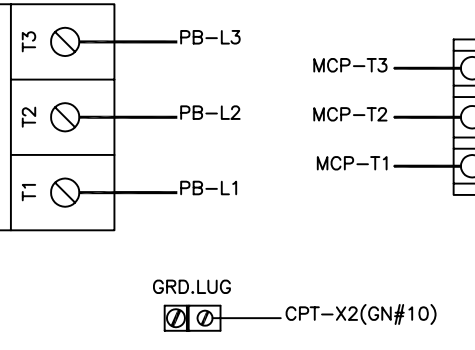
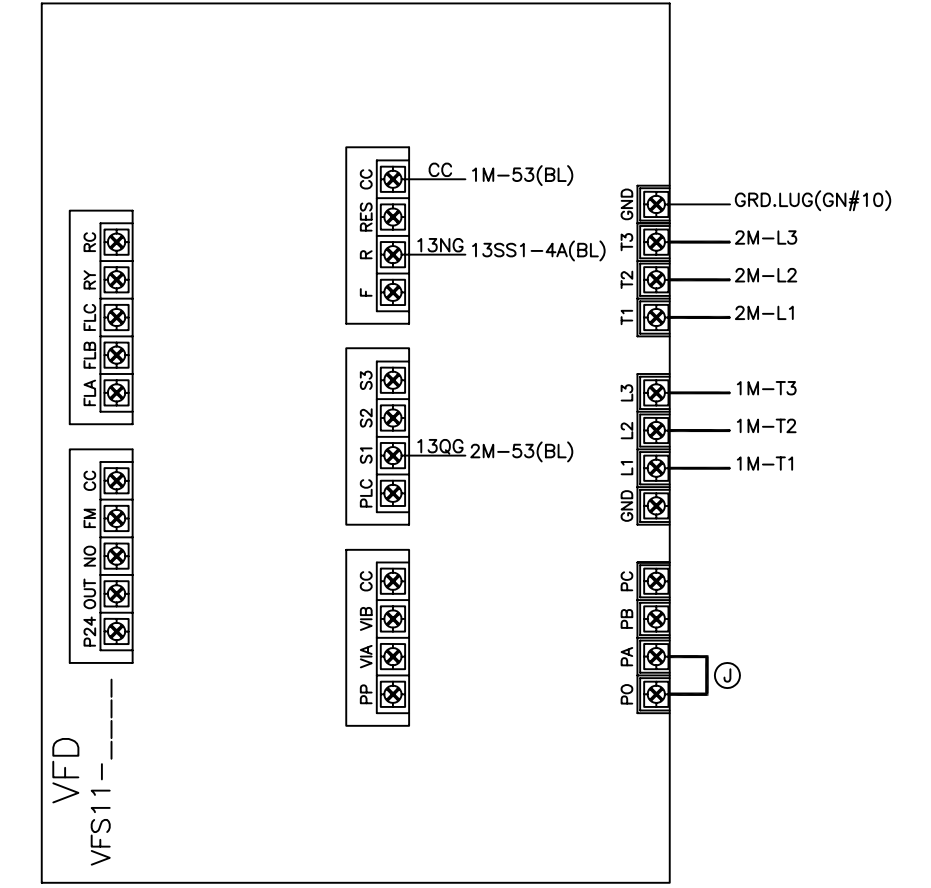
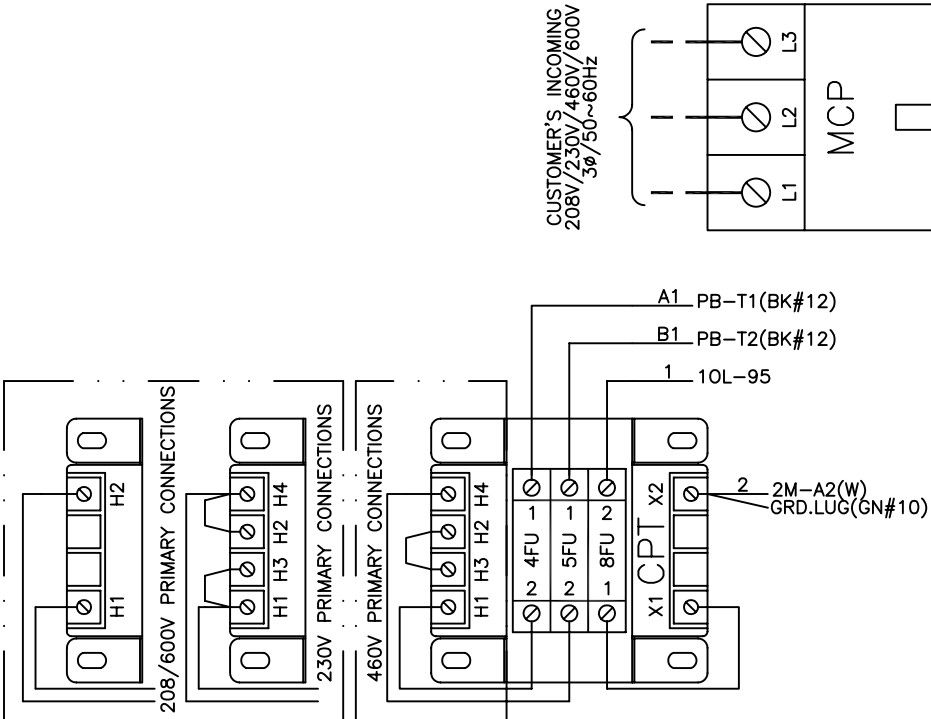
THIS MATERIAL IS THE EXCLUSIVE PROPERTY OF TOSHIBA INTERNATIONAL CORPORATION AND SHALL NOT BE REPRODUCED, USED, OR DISCLOSED TO OTHERS UNLESS PRIOR WRITTEN AUTHORIZATION IS OBTAINED.

TITLE: **OUTLINE DIAGRAM**

CUSTOMER: _____ PROJECT NUMBER: _____

REVISION: 1 SCALE: 1.0=10.0

DRAWING NUMBER: **1108H019**



4					
3					
2					
1	05/24/05	ADD 600V RATING	jedwards		
0	09/30/04	FIRST ISSUE	CMorales	CM	GBF
REV	DATE	DESCRIPTION	BY	CHK	APPR

TOSHIBA
TOSHIBA INTERNATIONAL CORPORATION
 MADE IN HOUSTON, TEXAS U.S.A.
 THIS MATERIAL IS THE EXCLUSIVE PROPERTY OF TOSHIBA INTERNATIONAL CORPORATION AND SHALL NOT BE REPRODUCED, USED, OR DISCLOSED TO OTHERS UNLESS PRIOR WRITTEN AUTHORIZATION IS OBTAINED.

TITLE:
WIRING DIAGRAM
 208V 15 - 20HP
 230V 15 - 20HP
 CUSTOMER:

PROJECT NUMBER:

REVISION:
 1
 SCALE:
 1.0=2.0
 DRAWING NUMBER:
 1908H024