

CUST. NAME:

PROJECT NO.:

P.O. NUMBER:

DESCRIPTION: S11A004EA ~ S11A150EA  
 S112004EA ~ S112150EA  
 S114007EA ~ S114150EA  
 S116015EA ~ S116150EA  
 S11 CB 208/230/460V/600V 0.50~20HP

FINAL

PRELIMINARY

FOR APPROVAL

Note: Final Engineering and Manufacturing will proceed upon receipt of final approval

- NOT APPROVED AS NOTED - RESUBMIT DRAWINGS FOR APPROVAL. DO NOT PROCEED WITH FINAL ENGINEERING OR MANUFACTURING.
- APPROVED AS NOTED - PROCEED WITH FINAL ENGINEERING AND MANUFACTURING.
- APPROVED AS SUBMITTED - PROCEED WITH FINAL ENGINEERING AND MANUFACTURING.

APPROVAL BY:

Initial

Date

NO	DRAWING NO	REV	DRAWING DESCRIPTION
00	I608GW00	1	DRAWING LIST
01	---	--	----
02	I308GW02	1	THREE-LINE DIAGRAM
03	---	--	----
04	---	--	----
05	---	--	----
06	---	--	----
07	---	--	----
08	---	--	----
09	---	--	----
10	---	--	----
11	---	--	----
12	---	--	----
13	I808GW13	0	S11 LOGIC INTERFACE
14	---	--	----
15	---	--	----

NO	DRAWING NO	REV	DRAWING DESCRIPTION
16	I808GW16	1	RATING SHEET
17	---	--	----
18	I808GW18	0	LEGEND
19	I108GW19	1	OUTLINE DIAGRAM
20	---	--	----
21	---	--	----
22	I908GW22	1	WIRING DIAGRAM
23	---	--	----
24	---	--	----
25	---	--	----
26	---	--	----
27	---	--	----
28	---	--	----
29	---	--	----
30	---	--	----
31	---	--	----

4					
3					
2					
1	05/23/05	ADD 600V RATING	jedwards		
0	09/30/04	FIRST ISSUE	CMorales	CM	GBF
REV	DATE	DESCRIPTION	BY	CHK	APPR

**TOSHIBA**  
 TOSHIBA INTERNATIONAL CORPORATION  
 MADE IN HOUSTON, TEXAS U.S.A.

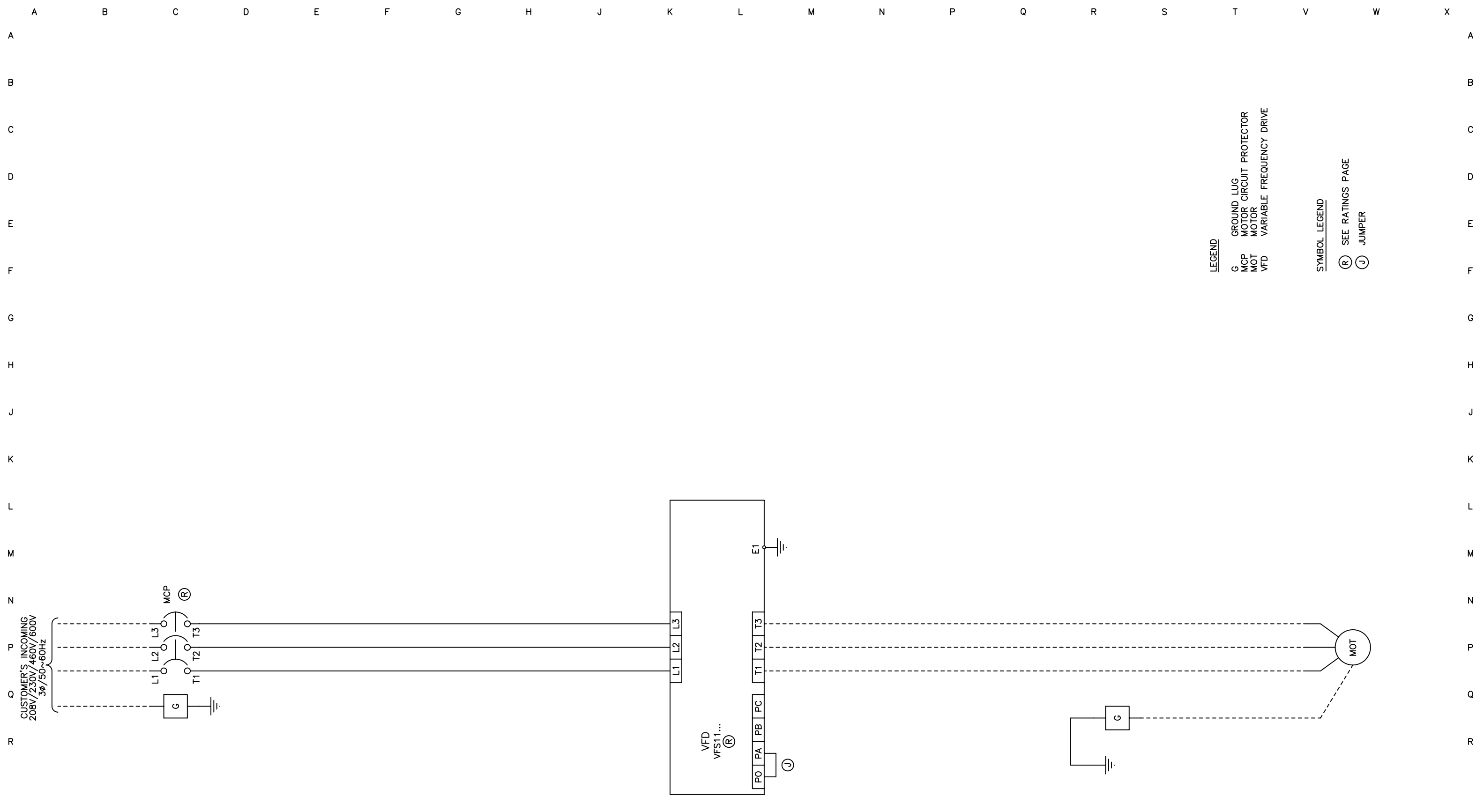
THIS MATERIAL IS THE EXCLUSIVE PROPERTY OF TOSHIBA INTERNATIONAL CORPORATION AND SHALL NOT BE REPRODUCED, USED, OR DISCLOSED TO OTHERS UNLESS PRIOR WRITTEN AUTHORIZATION IS OBTAINED.

TITLE: DRAWING LIST

CUSTOMER: \_\_\_\_\_ PROJECT NUMBER: \_\_\_\_\_

REVISION: 1 SCALE: 1.0=1.5

DRAWING NUMBER: 1608GW00



**LEGEND**

G GROUND LUG  
MCP MOTOR CIRCUIT PROTECTOR  
MOT MOTOR  
VFD VARIABLE FREQUENCY DRIVE

**SYMBOL LEGEND**

(R) SEE RATINGS PAGE  
(J) JUMPER

REV	DATE	DESCRIPTION	BY	CHK	APPR
4					
3					
2					
1	05/23/05	ADD 600V RATING	jedwards		
0	09/30/04	FIRST ISSUE	CMorales	CM	GBF

**TOSHIBA**  
**TOSHIBA INTERNATIONAL CORPORATION**  
MADE IN HOUSTON, TEXAS U.S.A.

THIS MATERIAL IS THE EXCLUSIVE PROPERTY OF TOSHIBA INTERNATIONAL CORPORATION AND SHALL NOT BE REPRODUCED, USED, OR DISCLOSED TO OTHERS UNLESS PRIOR WRITTEN AUTHORIZATION IS OBTAINED.

TITLE:  
**THREE-LINE DIAGRAM**

CUSTOMER:

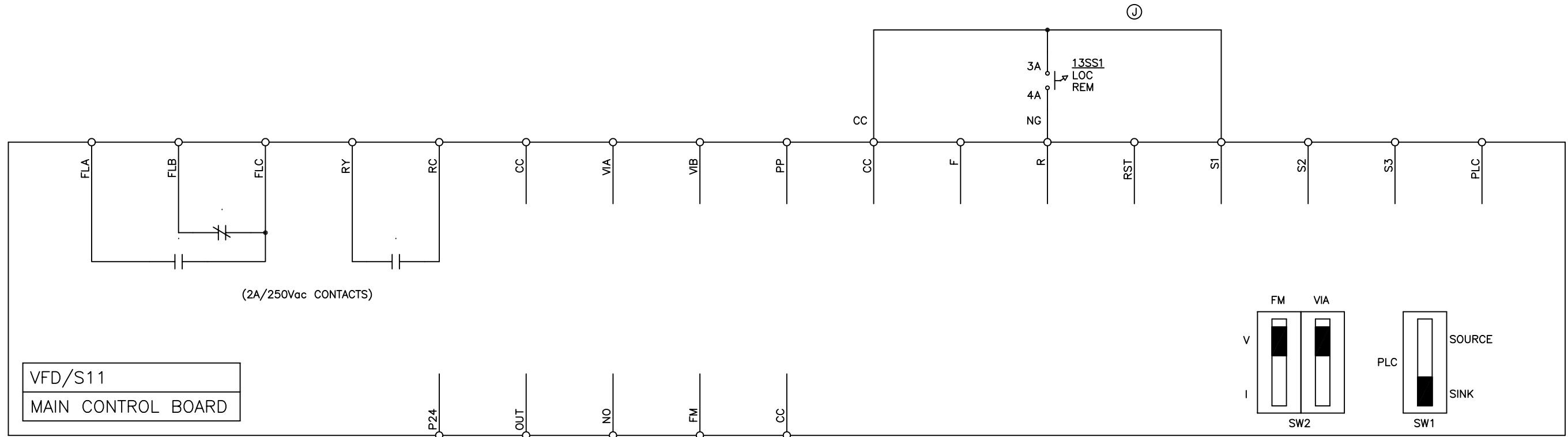
PROJECT NUMBER:

REVISION:  
1

SCALE:  
1.0=2.0

DRAWING NUMBER:  
**1308GW02**

A B C D E F G H J K L M N P Q R S T V W



NOTE: SEE S11 INVERTER MANUAL FOR TERMINAL FUNCTIONS.

4					
3					
2					
1					
0	09/30/04	FIRST ISSUE	CMorales		
REV	DATE	DESCRIPTION	BY	CHK	APPR

**TOSHIBA**  
TOSHIBA INTERNATIONAL CORPORATION  
MADE IN HOUSTON, TEXAS U.S.A.

THIS MATERIAL IS THE EXCLUSIVE PROPERTY OF TOSHIBA INTERNATIONAL CORPORATION AND SHALL NOT BE REPRODUCED, USED, OR DISCLOSED TO OTHERS UNLESS PRIOR WRITTEN AUTHORIZATION IS OBTAINED.

TITLE:  
S11 LOGIC INTERFACE CIRCUIT

CUSTOMER:

PROJECT NUMBER:

REVISION: 0	SCALE: 1.0=2.0
DRAWING NUMBER: 1808GW13	

VOLTAGE	HP	VFD	MCP (A)
208V	1/2	VFS11-2004	7
	1	VFS11-2007	7
	2	VFS11-2015	15
	3	VFS11-2022	15
	5	VFS11-2037	30
	7.5	VFS11-2055	50
	10	VFS11-2075	50
	15	VFS11-2110	75
	20	VFS11-2150	75

VOLTAGE	HP	VFD	MCP (A)
230V	1/2	VFS11-2004	7
	1	VFS11-2007	7
	2	VFS11-2015	15
	3	VFS11-2022	15
	5	VFS11-2037	30
	7.5	VFS11-2055	30
	10	VFS11-2075	50
	15	VFS11-2110	75
	20	VFS11-2150	75

VOLTAGE	HP	VFD	MCP (A)
460V	1	VFS11-4007	3
	2	VFS11-4015	7
	3	VFS11-4022	7
	5	VFS11-4037	15
	7.5	VFS11-4055	15
	10	VFS11-4075	30
	15	VFS11-4110	30
	20	VFS11-4150	50

VOLTAGE	HP	VFD	MCP (A)
600V	2	VFS11-6015	7
	3	VFS11-6022	7
	5	VFS11-6037	15
	7.5	VFS11-6055	15
	10	VFS11-6075	15
	15	VFS11-6110	30
20	VFS11-6150	30	

REV	DATE	DESCRIPTION	BY	CHK	APPR
4					
3					
2					
1	05/23/05	ADD 600V RATING	jedwards		
0	09/30/04	FIRST ISSUE	CMorales	CM	GBF

**TOSHIBA**  
**TOSHIBA INTERNATIONAL CORPORATION**  
MADE IN HOUSTON, TEXAS U.S.A.

THIS MATERIAL IS THE EXCLUSIVE PROPERTY OF TOSHIBA INTERNATIONAL CORPORATION AND SHALL NOT BE REPRODUCED, USED, OR DISCLOSED TO OTHERS UNLESS PRIOR WRITTEN AUTHORIZATION IS OBTAINED.

TITLE: RATINGS SHEET

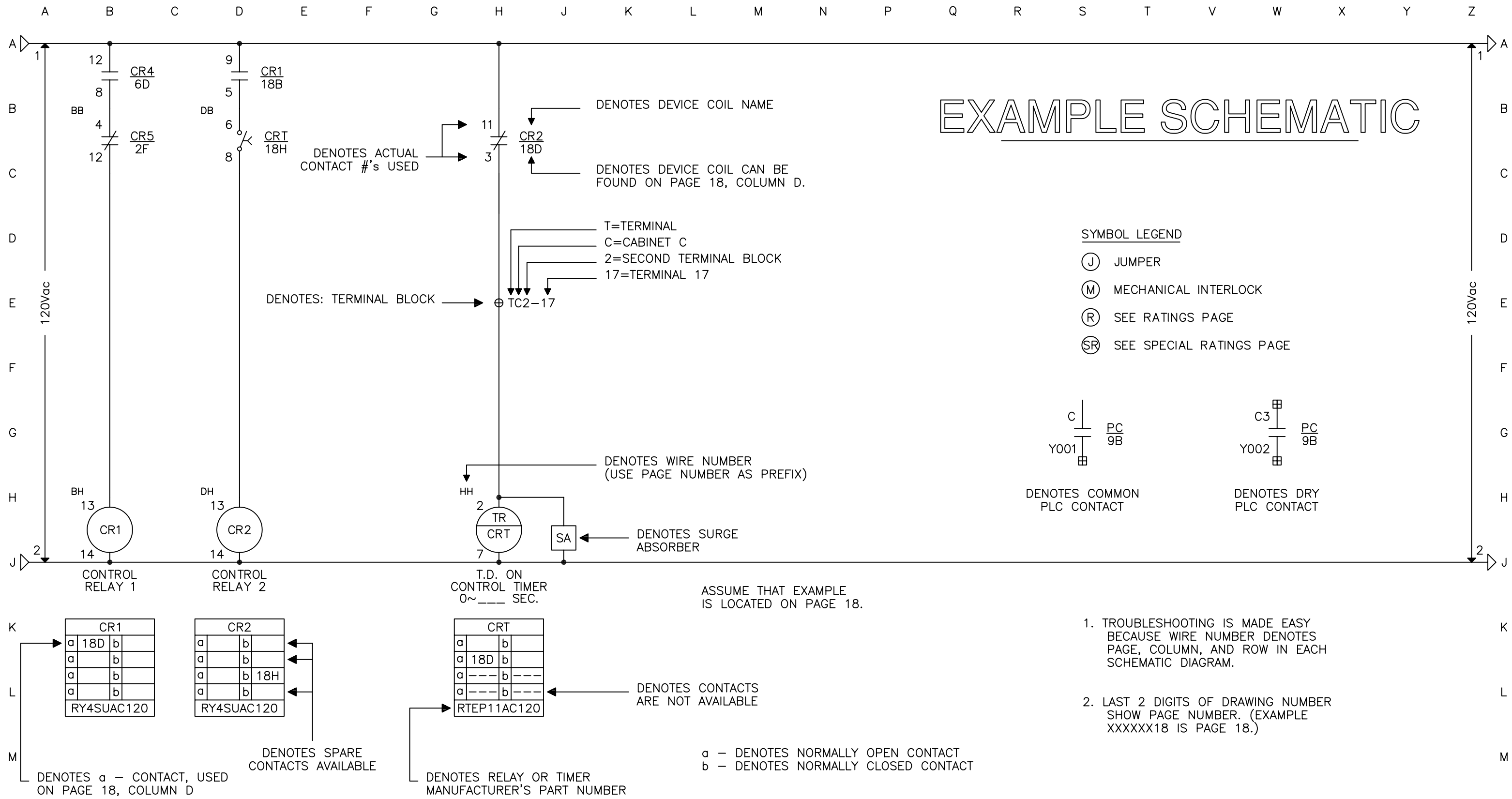
CUSTOMER: \_\_\_\_\_

JOB NUMBER: \_\_\_\_\_

REVISION: 1

SCALE: 1.0=1.5

DRAWING NUMBER: 1808GW16



4					
3					
2					
1					
0	09/30/04	FIRST ISSUE	CMorales		
REV	DATE	DESCRIPTION	BY	CHK	APPR

**TOSHIBA**  
**TOSHIBA INTERNATIONAL CORPORATION**  
 MADE IN HOUSTON, TEXAS U.S.A.

THIS MATERIAL IS THE EXCLUSIVE PROPERTY OF TOSHIBA INTERNATIONAL CORPORATION AND SHALL NOT BE REPRODUCED, USED, OR DISCLOSED TO OTHERS UNLESS PRIOR WRITTEN AUTHORIZATION IS OBTAINED.

TITLE: LEGEND

CUSTOMER: \_\_\_\_\_ PROJECT NUMBER: \_\_\_\_\_

REVISION: 0 SCALE: 1.0=1.5

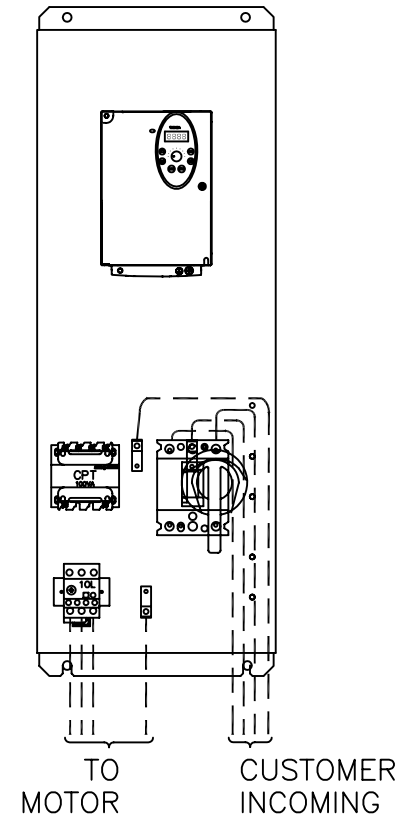
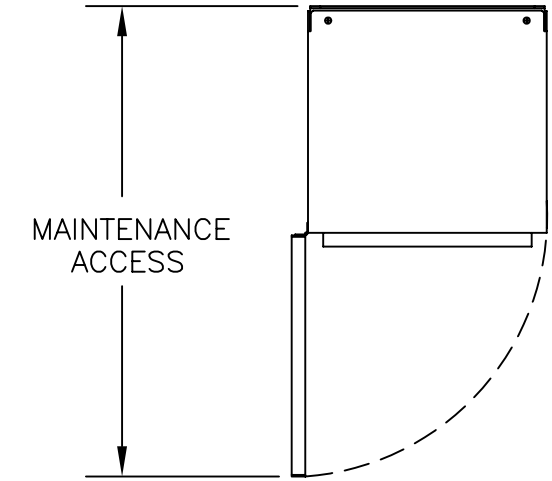
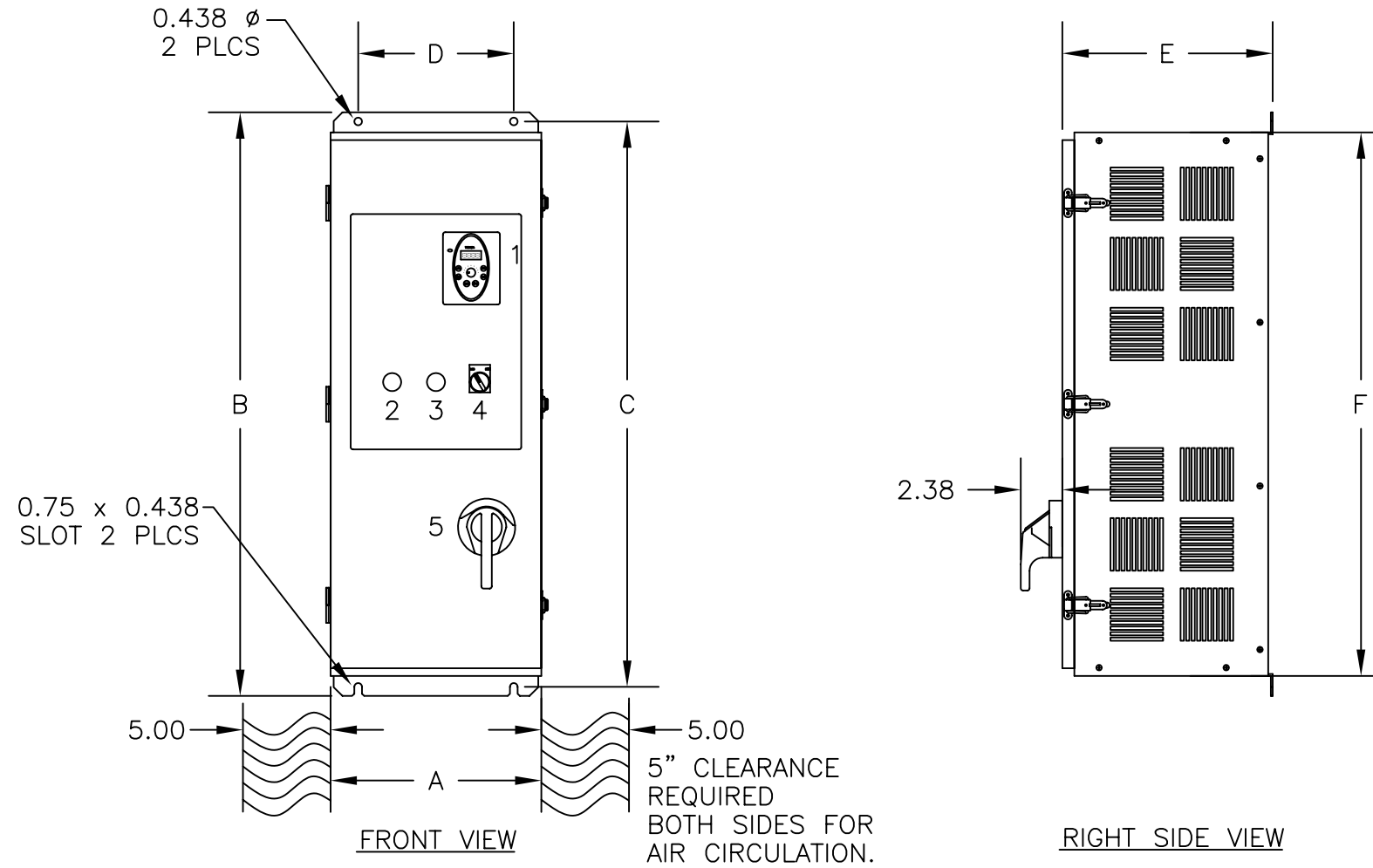
DRAWING NUMBER: 1808GW18

DEVICE LEGEND

1. S11 OPERATOR KEYPAD
2. HOLE PLUG
3. HOLE PLUG
4. "LOC/REM" SWITCH
5. CIRCUIT DISCONNECT



S11 KEYPAD DETAIL



TYPICAL SUBPANEL

HP RATING	208/230V						APPROX. WT. lbs.	MAINT. ACCESS
	A	B	C	D	E	F		
1/2	12.00	33.29	32.25	8.88	11.99	31.00	60	23.50
1	12.00	33.29	32.25	8.88	11.99	31.00	60	23.50
2	12.00	33.29	32.25	8.88	11.99	31.00	60	23.50
3	12.00	33.29	32.25	8.88	11.99	31.00	65	23.50
5	12.00	33.29	32.25	8.88	11.99	31.00	65	23.50
7.5	12.00	33.29	32.25	8.88	11.99	31.00	70	23.50
10	12.00	33.29	32.25	8.88	11.99	31.00	70	23.50
15	18.00	38.29	37.25	11.88	16.00	36.12	110	33.31
20	18.00	38.29	37.25	11.88	16.00	36.12	110	33.31

HP RATING	460V/600V						APPROX. WT. lbs.	MAINT. ACCESS
	A	B	C	D	E	F		
1	12.00	33.29	32.25	8.88	11.99	31.00	60	23.50
2	12.00	33.29	32.25	8.88	11.99	31.00	60	23.50
3	12.00	33.29	32.25	8.88	11.99	31.00	65	23.50
5	12.00	33.29	32.25	8.88	11.99	31.00	65	23.50
7.5	12.00	33.29	32.25	8.88	11.99	31.00	70	23.50
10	12.00	33.29	32.25	8.88	11.99	31.00	70	23.50
15	18.00	38.29	37.25	11.88	16.00	36.12	110	33.31
20	18.00	38.29	37.25	11.88	16.00	36.12	110	33.31

REV	DATE	DESCRIPTION	BY	CHK	APPR
4					
3					
2					
1	05/23/05	ADD 600V RATING	jedwards		
0	09/30/04	FIRST ISSUE	CMorales	CM	GBF

**TOSHIBA**  
TOSHIBA INTERNATIONAL CORPORATION  
MADE IN HOUSTON, TEXAS U.S.A.

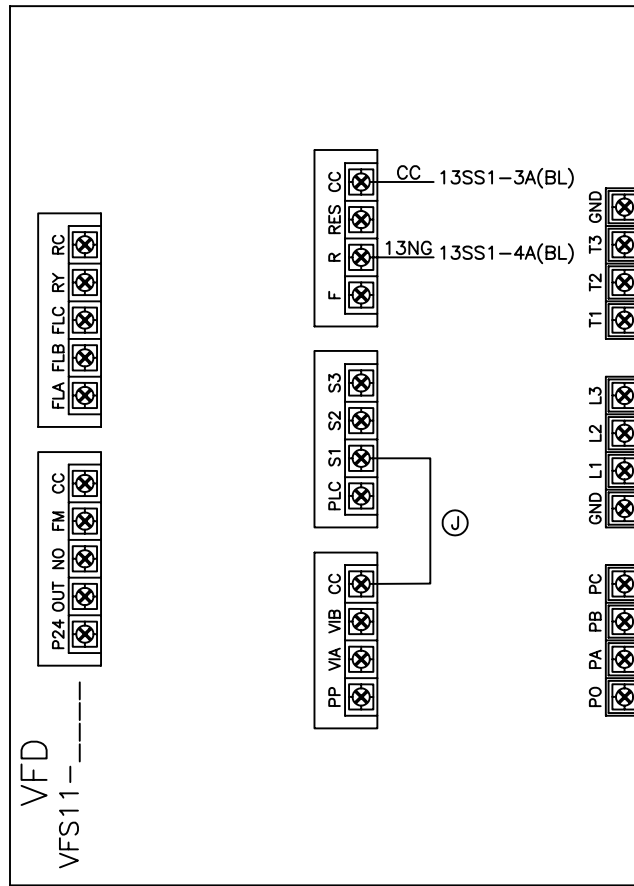
THIS MATERIAL IS THE EXCLUSIVE PROPERTY OF TOSHIBA INTERNATIONAL CORPORATION AND SHALL NOT BE REPRODUCED, USED, OR DISCLOSED TO OTHERS UNLESS PRIOR WRITTEN AUTHORIZATION IS OBTAINED.

TITLE: **OUTLINE DIAGRAM**

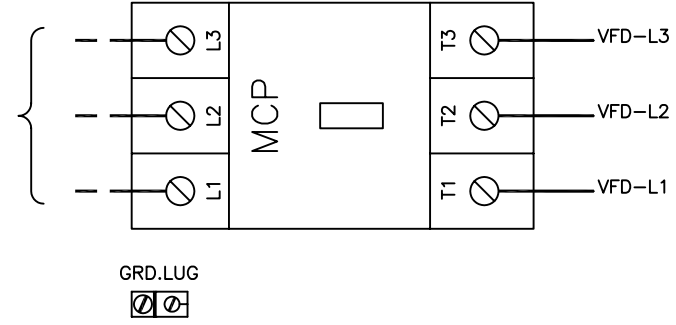
CUSTOMER: \_\_\_\_\_ PROJECT NUMBER: \_\_\_\_\_

REVISION: 1 SCALE: 1.0=10.0

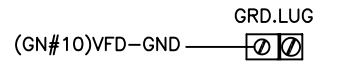
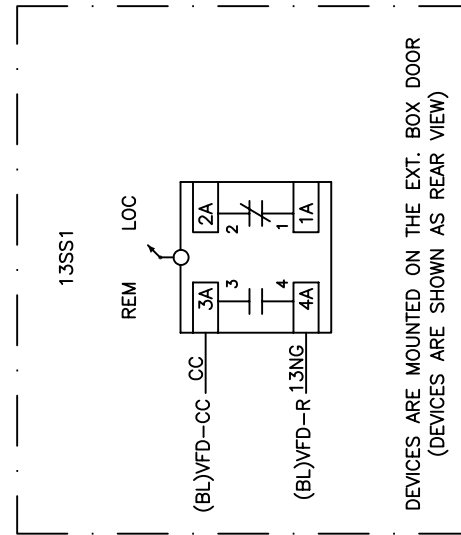
DRAWING NUMBER: **1108GW19**



CUSTOMER'S INCOMING  
208V/230V/460V/600V  
3ø/50--60Hz



FOR MOTOR CONNECTIONS  
SEE MOTOR MFR'S INSTRUCTIONS



REV	DATE	DESCRIPTION	BY	CHK	APPR
4					
3					
2					
1	05/23/05	ADD 600V RATING	jedwards		
0	09/30/04	FIRST ISSUE	CMorales	CM	GBF

**TOSHIBA**  
TOSHIBA INTERNATIONAL CORPORATION  
MADE IN HOUSTON, TEXAS U.S.A.

THIS MATERIAL IS THE EXCLUSIVE PROPERTY OF TOSHIBA INTERNATIONAL CORPORATION AND SHALL NOT BE REPRODUCED, USED, OR DISCLOSED TO OTHERS UNLESS PRIOR WRITTEN AUTHORIZATION IS OBTAINED.

TITLE:  
WIRING DIAGRAM

CUSTOMER:

PROJECT NUMBER:

REVISION:

1

SCALE:

1.0=2.0

DRAWING NUMBER:

1908GW22